

Catalog

CRVT400-4D.pdf	1
CRVT450-4D.pdf	2
CRVT500-4D.pdf	3
CRVT560-4D.pdf	4
CRVT630-4D.pdf	5
CRVT630-6D.pdf	6
CRVT710-6D.pdf	7



CRVT400-4D

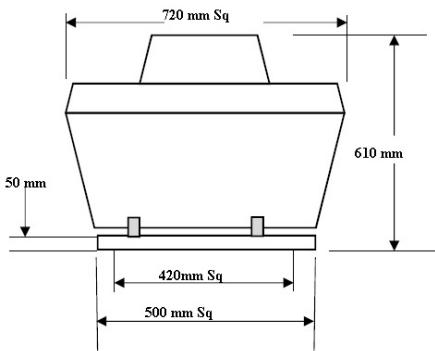
ROOF CENTRIFUGAL FAN TEFC



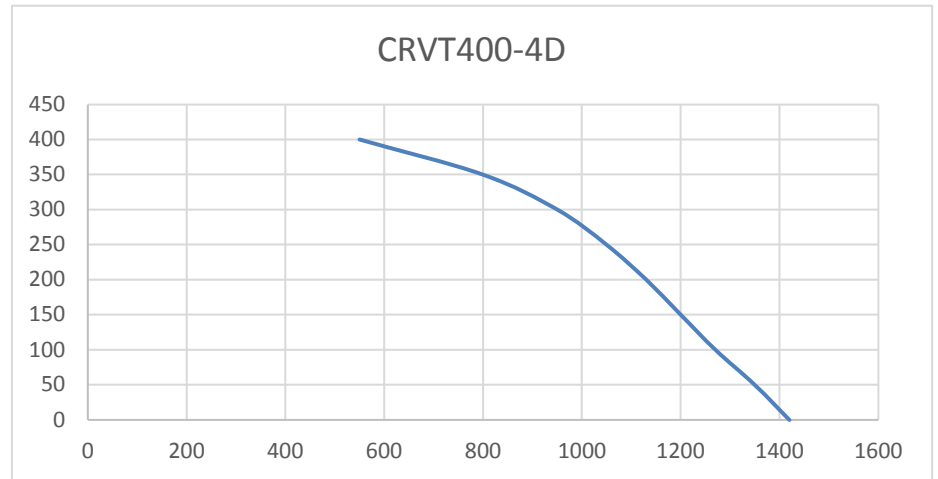
FAN FEATURES

- 400mm ROOF CENTRIFUGAL FAN with TEFC Motor
- CAPABLE OF HANDLING UP TO 1400 L/s.
- USED FOR COMMERCIAL KITCHEN APPLICATIONS AND GENERAL VENTILATION.
- GALVANIZED STEEL CONSTRUCTION.
- SPEED CONTROLLABLE with VSD
- SQUARE FLANGE CONNECTION
- FULL COMPLIANCE WITH AUSTRALIAN STANDARDS AIRFLOW TEST TO BS848 PART 1 & NOISE TEST TO BS848 PART 2

DIMENSIONS



PERFORMANCE



SOUND DATA

Model	Octave Band Frequency Lw db (A)								Lw dB (A)	SPL dB (A) @3m
	63	125	250	500	1K	2K	4K	8K		
CRVT400-4D	63	70	74	71	70	67	63	57	75	54

TECHNICAL DATA

Fan Model	RPM	1 Phase KW	240V Amps	3 Phase KW	415V Amps	dba @3M
CRVT400-4D	1400	0.55	2.99	0.55	1.26	54



**ECO DYNAMIC
FANS PTY LTD**

www.ecodynamicfans.com.au

296 South Gippsland Hwy,
Dandenong South VIC 3175

P: 03 8578 5911

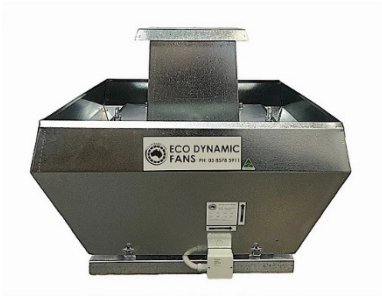
E: sales@ecodynamicfans.com.au

F: 03 8768 8529



CRVT450-4D

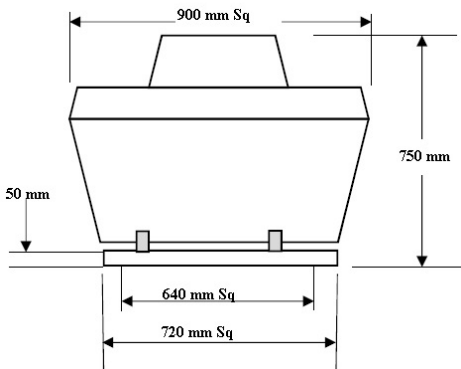
INLINE CENTRIFUGAL FAN TEFC



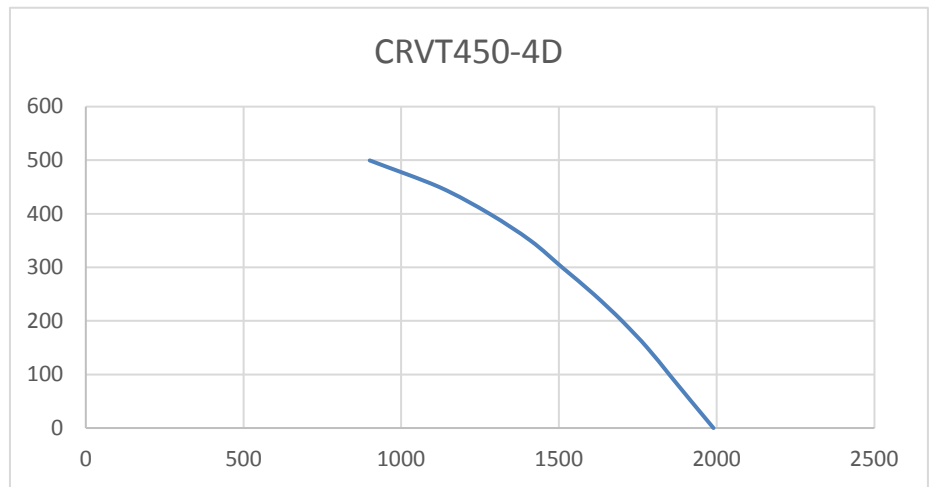
FAN FEATURES

- 450mm ROOF CENTRIFUGAL FAN with TEFC Motor
- CAPABLE OF HANDLING UP TO 2000 L/s.
- USED FOR COMMERCIAL KITCHEN APPLICATIONS AND GENERAL VENTILATION.
- GALVANIZED STEEL CONSTRUCTION.
- SPEED CONTROLLABLE with VSD
- SQUARE FLANGE CONNECTION
- FULL COMPLIANCE WITH AUSTRALIAN STANDARDS AIRFLOW TEST TO BS848 PART 1 & NOISE TEST TO BS848 PART 2

DIMENSIONS



PERFORMANCE



SOUND DATA

Model	Octave Band Frequency Lw db (A)								Lw dB (A)	SPL dB (A) @3m
	63	125	250	500	1K	2K	4K	8K		
CRVT450-4D	67	74	78	75	74	71	67	60	79	58

TECHNICAL DATA

Fan Model	RPM	1 Phase KW	240V Amps	3 Phase KW	415V Amps	dba @3M
CRVT450-4D	1400			0.75	1.7	58



ECO DYNAMIC FANS PTY LTD

296 South Gippsland Hwy,
Dandenong South VIC 3175

P: 03 8578 5911

E: sales@ecodynamicfans.com.au

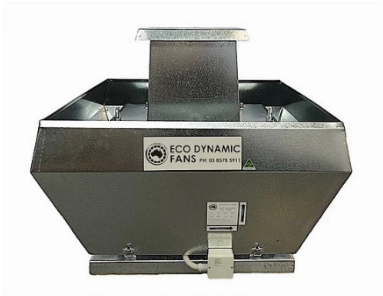
F: 03 8768 8529

www.ecodynamicfans.com.au



CRVT500-4D

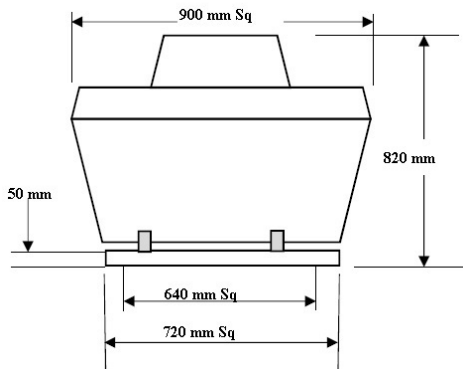
INLINE CENTRIFUGAL FAN TEFC



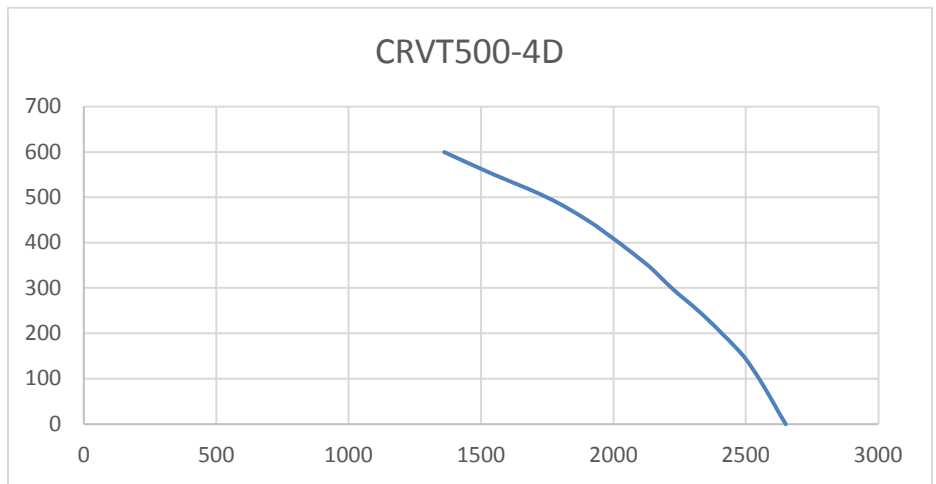
FAN FEATURES

- 500mm ROOF CENTRIFUGAL FAN with TEFC Motor
- CAPABLE OF HANDLING UP TO 2700 L/s.
- USED FOR COMMERCIAL KITCHEN APPLICATIONS AND GENERAL VENTILATION.
- GALVANIZED STEEL CONSTRUCTION.
- SPEED CONTROLLABLE with VSD
- SQUARE FLANGE CONNECTION
- FULL COMPLIANCE WITH AUSTRALIAN STANDARDS AIRFLOW TEST TO BS848 PART 1 & NOISE TEST TO BS848 PART 2

DIMENSIONS



PERFORMANCE



SOUND DATA

Model	Octave Band Frequency Lw db (A)								Lw dB (A)	SPL dB (A) @3m
	63	125	250	500	1K	2K	4K	8K		
CRVT500-4D	71	76	81	76	75	72	68	61	80	59

TECHNICAL DATA

Fan Model	RPM	1 Phase KW	240V Amps	3 Phase KW	415V Amps	dba @3M
CRVT500-4D	1400			1.5	3.19	59



ECO DYNAMIC FANS PTY LTD

296 South Gippsland Hwy,
Dandenong South VIC 3175

P: 03 8578 5911

E: sales@ecodynamicfans.com.au

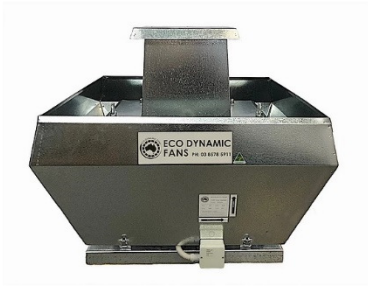
F: 03 8768 8529

www.ecodynamicfans.com.au



CRVT560-4D

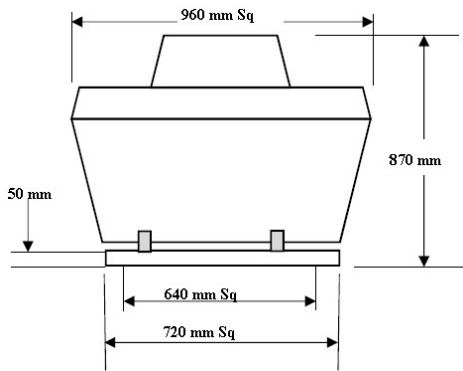
INLINE CENTRIFUGAL FAN TEFC



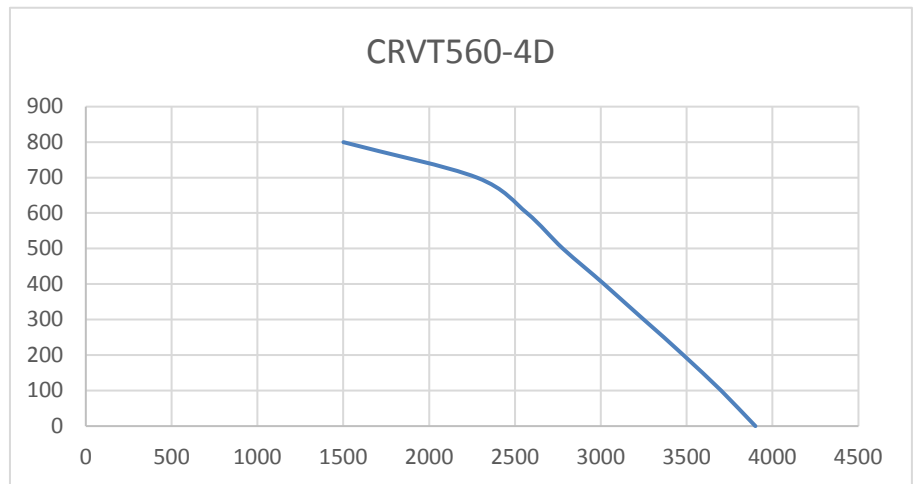
FAN FEATURES

- 560mm ROOF CENTRIFUGAL FAN with TEFC Motor
- CAPABLE OF HANDLING UP TO 3800 L/s.
- USED FOR COMMERCIAL KITCHEN APPLICATIONS AND GENERAL VENTILATION.
- GALVANIZED STEEL CONSTRUCTION.
- SPEED CONTROLLABLE with VSD
- SQUARE FLANGE CONNECTION
- FULL COMPLIANCE WITH AUSTRALIAN STANDARDS AIRFLOW TEST TO BS848 PART 1 & NOISE TEST TO BS848 PART 2

DIMENSIONS



PERFORMANCE



SOUND DATA

Model	Octave Band Frequency Lw db (A)								Lw dB (A)	SPL dB (A) @3m
	63	125	250	500	1K	2K	4K	8K		
CRVT560-4D	74	81	84	80	80	77	73	66	85	64

TECHNICAL DATA

Fan Model	RPM	1 Phase KW	240V Amps	3 Phase KW	415V Amps	dba @3M
CRVT560-4D	1440			3.0	5.9	64



ECO DYNAMIC FANS PTY LTD

296 South Gippsland Hwy,
Dandenong South VIC 3175

P: 03 8578 5911

E: sales@ecodynamicfans.com.au

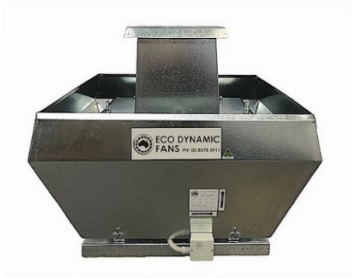
F: 03 8768 8529

www.ecodynamicfans.com.au



CRVT630-4D

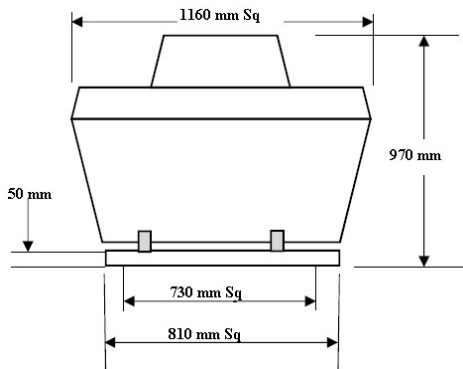
ROOF CENTRIFUGAL FAN TEFC



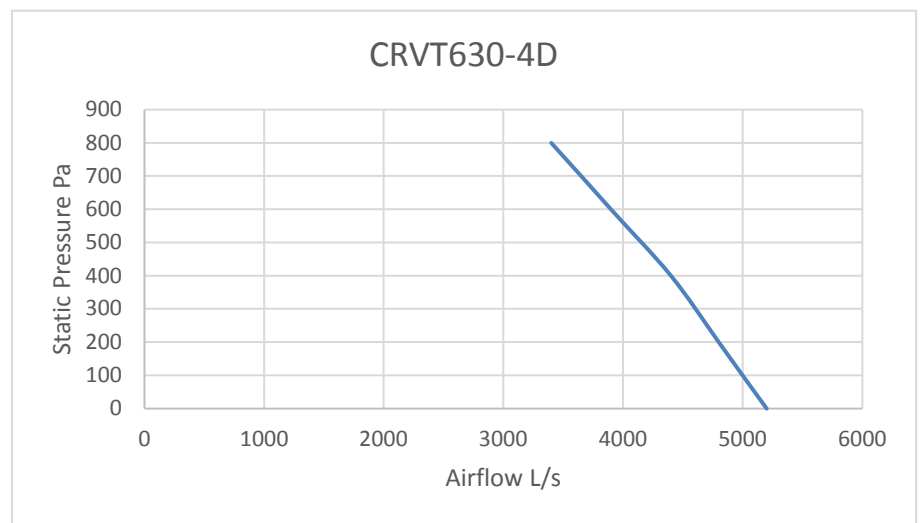
FAN FEATURES

- 630mm ROOF CENTRIFUGAL FAN with TEFC Motor
- CAPABLE OF HANDLING UP TO 5000 L/s.
- USED FOR COMMERCIAL KITCHEN APPLICATIONS AND GENERAL VENTILATION.
- GALVANIZED STEEL CONSTRUCTION.
- SPEED CONTROLLABLE with VSD
- SQUARE FLANGE CONNECTION
- FULL COMPLIANCE WITH AUSTRALIAN STANDARDS AIRFLOW TEST TO BS848 PART 1 & NOISE TEST TO BS848 PART 2

DIMENSIONS



PERFORMANCE



SOUND DATA

Model	Octave Band Frequency Lw db (A)								Lw dB (A)	SPL dB (A) @3m
	63	125	250	500	1K	2K	4K	8K		
CRVT630-4D	79	87	91	83	83	82	77	70	88	67

TECHNICAL DATA

Fan Model	RPM	1 Phase KW	240V Amps	3 Phase KW	415V Amps	dba @3M
CRVT630-4D	1440			5.5	10.3	67



ECO DYNAMIC
FANS PTY LTD

296 South Gippsland Hwy,
Dandenong South VIC 3175

P: 03 8578 5911

E: sales@ecodynamicfans.com.au

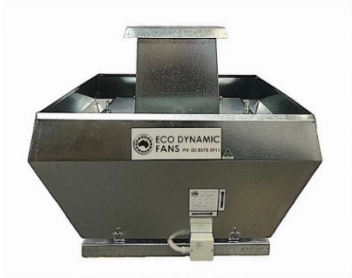
F: 03 8768 8529

www.ecodynamicfans.com.au



CRVT630-6D

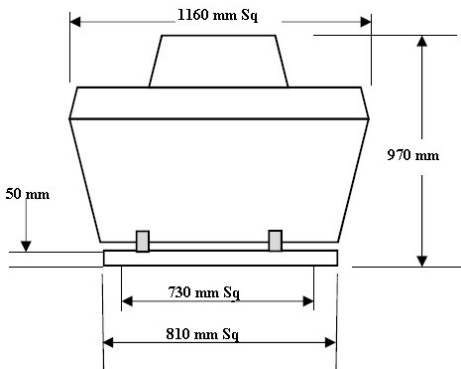
INLINE CENTRIFUGAL FAN TEFC



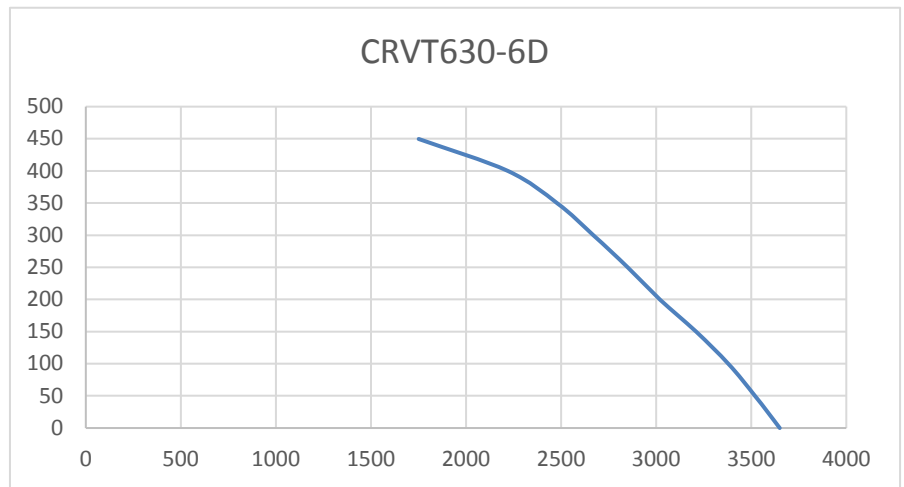
FAN FEATURES

- 630mm ROOF CENTRIFUGAL FAN with TEFC Motor
- CAPABLE OF HANDLING UP TO 3600 L/s.
- USED FOR COMMERCIAL KITCHEN APPLICATIONS AND GENERAL VENTILATION.
- GALVANIZED STEEL CONSTRUCTION.
- SPEED CONTROLLABLE with VSD
- SQUARE FLANGE CONNECTION
- FULL COMPLIANCE WITH AUSTRALIAN STANDARDS AIRFLOW TEST TO BS848 PART 1 & NOISE TEST TO BS848 PART 2

DIMENSIONS



PERFORMANCE



SOUND DATA

Model	Octave Band Frequency Lw db (A)								Lw dB (A)	SPL dB (A) @3m
	63	125	250	500	1K	2K	4K	8K		
CRVT630-6D	72	78	83	75	75	74	69	62	81	60

TECHNICAL DATA

Fan Model	RPM	1 Phase KW	240V Amps	3 Phase KW	415V Amps	dba @3M
CRVT630-6D	960			2.2	4.83	60



ECO DYNAMIC FANS PTY LTD

296 South Gippsland Hwy,
Dandenong South VIC 3175

P: 03 8578 5911

E: sales@ecodynamicfans.com.au

F: 03 8768 8529

www.ecodynamicfans.com.au



CRVT710-6D

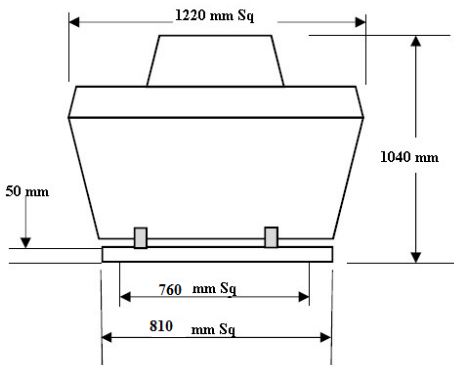
INLINE CENTRIFUGAL FAN TEFC



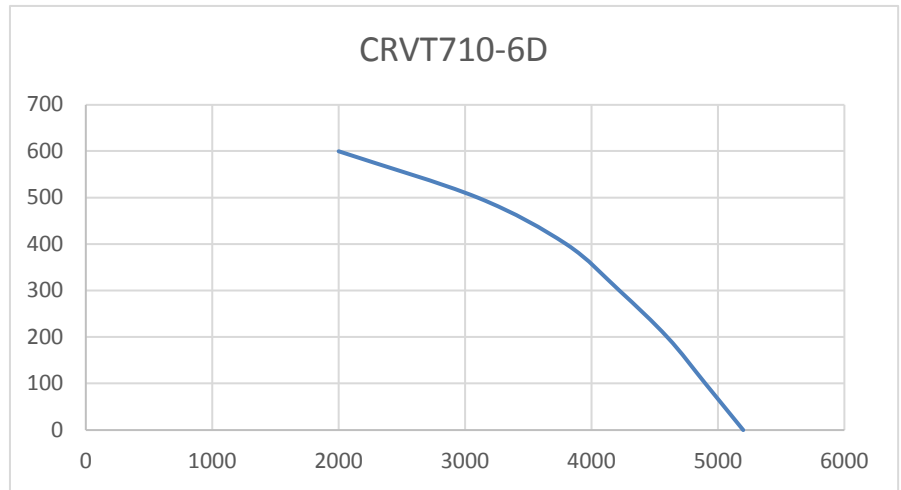
FAN FEATURES

- 710mm ROOF CENTRIFUGAL FAN with TEFC Motor
- CAPABLE OF HANDLING UP TO 5000 L/s.
- USED FOR COMMERCIAL KITCHEN APPLICATIONS AND GENERAL VENTILATION.
- GALVANIZED STEEL CONSTRUCTION.
- SPEED CONTROLLABLE with VSD
- SQUARE FLANGE CONNECTION
- FULL COMPLIANCE WITH AUSTRALIAN STANDARDS AIRFLOW TEST TO BS848 PART 1 & NOISE TEST TO BS848 PART 2

DIMENSIONS



PERFORMANCE



SOUND DATA

Model	Octave Band Frequency Lw db (A)								Lw dB (A)	SPL dB (A) @3m
	63	125	250	500	1K	2K	4K	8K		
CRVT710-6D	81	85	79	79	81	72	66	59	83	62

TECHNICAL DATA

Fan Model	RPM	1 Phase KW	240V Amps	3 Phase KW	415V Amps	dba @3M
CRVT710-6D	960			3.0	6.47	62



**ECO DYNAMIC
FANS PTY LTD**

296 South Gippsland Hwy,
Dandenong South VIC 3175

P: 03 8578 5911

E: sales@ecodynamicfans.com.au

F: 03 8768 8529

www.ecodynamicfans.com.au