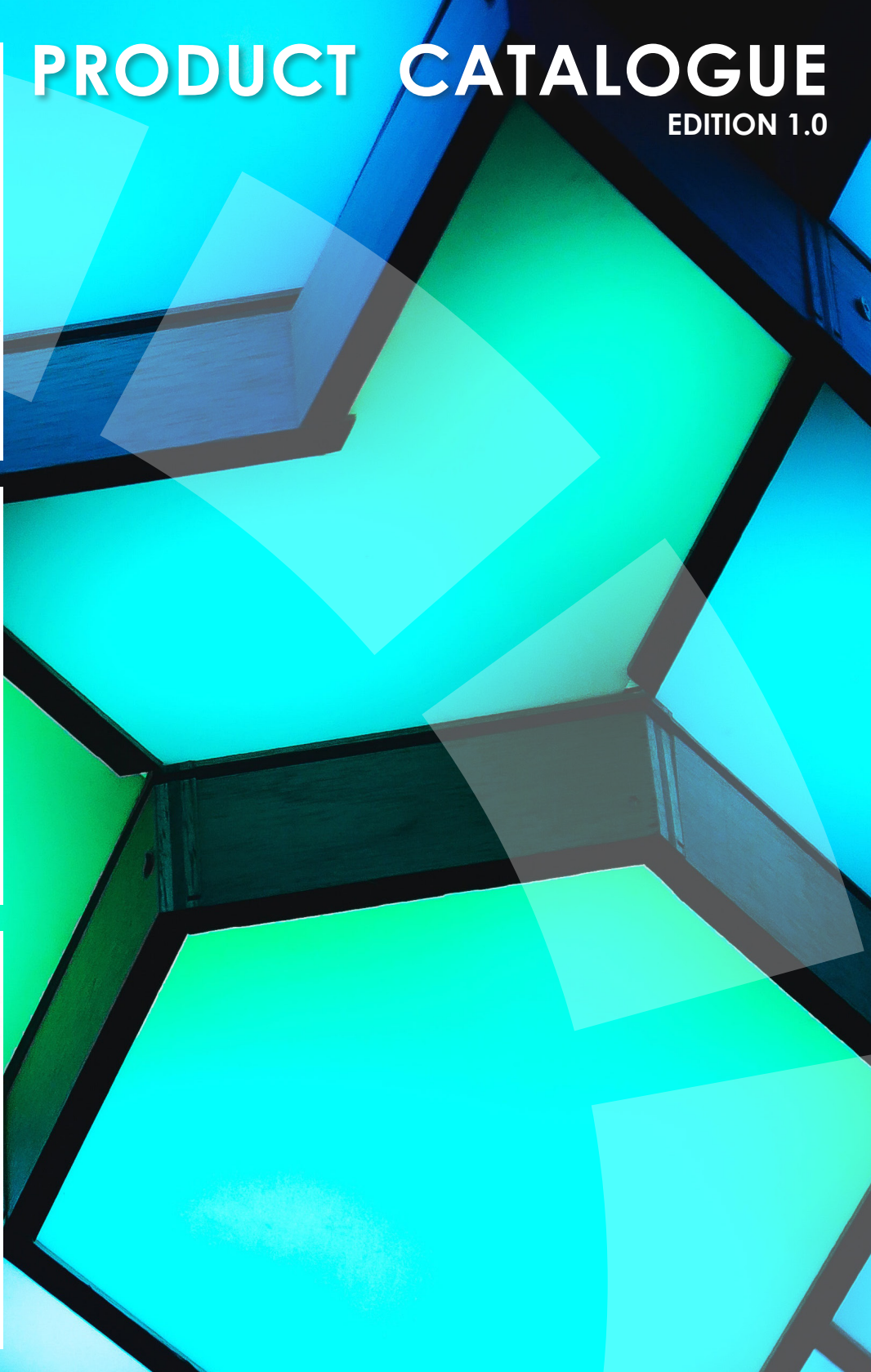


PRODUCT CATALOGUE

EDITION 1.0



ECO DYNAMIC FANS

296 South Gippsland Hwy,
Dandenong South VIC 3175

P: 03 8578 5911

F: 03 8768 8529

www.ecodynamicfans.com.au



About Us

Eco Dynamic Fans is a modern ventilation fan manufacturer. We use the latest in high efficiency motors and impellers, and manufacture an energy efficient and cost effective product to suit all needs.

With combined industry experience of over 25 years, Eco Dynamic Fans has engineered a high quality ventilation system to suit today's modern market. As a newly established company, we aim to deliver cost effective products for all applications. Eco Dynamic Fans intends to further develop our product range as the industry requires, and proudly wear the Australian Made and Owned logo with pride.

We sell Australia wide and around the world, so "if you have to move air, do so with an Eco Dynamic Fan".

Our Mission:

To provide high quality service to our customers, and make the experience with Eco Dynamic Fans economical and rewarding!

CONTENTS

ROOF FANS

KAV ROOF AXIAL EXHAUST.....	1 - 3
IAR ROOF AXIAL SUPPLY	4 - 5
KCV & CRV ROOF CENTRIFUGAL EXHAUST	6 - 22
CRVT ROOF CENTRIFUGAL EXHAUST TEFC	23 - 28
CRD ROOF CENTRIFUGAL DOWNFLOW	29 - 36
CRDR ROOF CENTRIFUGAL FANS	37- 42
CRDS ROOF CENTRIFUGAL SUPPLY	43- 51

INLINE FANS

IA INLINE AXIAL FANS	53- 54
IC INLINE CENTRIFUGAL FANS	55- 67
ICT INLINE CENTRIFUGAL FANS TEFC	68- 73
IMF INLINE MIX FLOW FANS	74- 75

SQUARE & RING PLATE FANS

SPA SQUARE PLATE AXIAL FANS.....	77 - 83
------------------------------------	---------

INDEX

CREDIT APPLICATION	85 - 88
TERMS AND CONDITIONS	89

ROOF FANS



KAV | Roof Axial Exhaust1 - 3



IAR | Roof Axial Supply4 - 5



KCV | Roof Centrifugal Exhaust6 - 22



CRVT | Roof Centrifugal Exhaust TEFC23 - 28



CRD | Roof Centrifugal Downflow29 - 36

CRDR | Roof Centrifugal Fans37 - 42

CRDS | Roof Centrifugal Supply43 - 51



ROOF FANS

INLINE FANS

SQUARE & RING PLATE FANS

INDEX



KAV38-4E/D

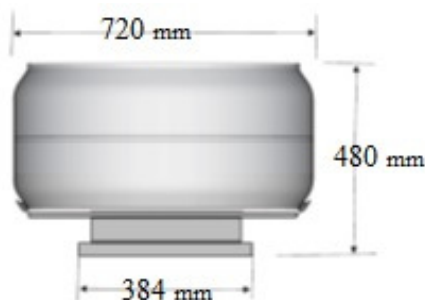
ROOF AXIAL VERTICAL DISCHARGE FAN (PATENT PENDING)



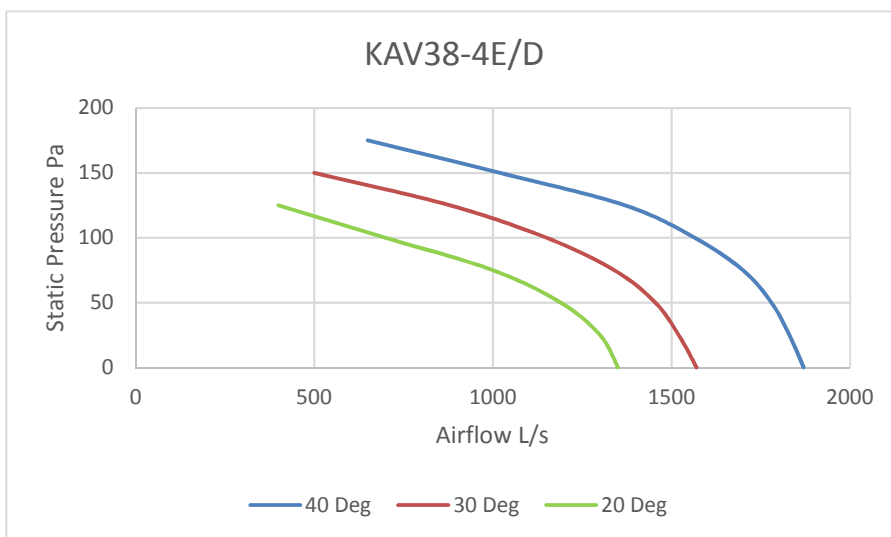
FAN FEATURES

- 381mm ROOF MOUNTED VERTICAL DISCHARGE FAN.
- CAPABLE OF HANDLING 800L/S TO 1800L/S.
- USED FOR COMMERCIAL KITCHEN APPLICATIONS AND GENERAL VENTILATION.
- WEATHER PROOF HOUSING.
- GALVINIZED STEEL CONSTRUCTION.
- SPEED CONTROLLABLE.
- POWDER COATED FINISH. MOTOR OUT OF AIRSTREAM
- CIRCULAR CONNECTION COMPLETE WITH MATCHING FLANGE.
- DETACHABLE WINDBAND FOR EASY CLEANING.
- ADJUSTABLE PITCH IMPELLER.
- FULL COMPLIANCE WITH AUSTRALIAN STANDARDS AIRFLOW TEST TO BS848 PART 1 & NOISE TEST TO BS848 PART 2

DIMENSIONS



PERFORMANCE



SOUND DATA

Model	Octave Band Frequency Lw db (A)								Lw dB (A)	SPL dB (A) @3m
	63	125	250	500	1K	2K	4K	8K		
KAV38	44	53	69	68	69	67	64	59	75	54

TECHNICAL DATA

Fan Model	RPM	1 Phase KW	240V Amps	3 Phase KW	415V Amps	dba @3M
KAV38-4E	1410	0.37	2.3			54
KAV38-4E Var		0.37	2.3			54
KAV38-4D	1400			0.37	1.1	54



ECO DYNAMIC FANS PTY LTD

www.ecodynamicfans.com.au

296 South Gippsland Hwy,
Dandenong South VIC 3175
P: 03 8578 5911
E: sales@ecodynamicfans.com.au
F: 03 8768 8529

ROOF FANS

INLINE FANS

SQUARE & RING PLATE FANS

ACCESSORIES

INDEX



KAV45-4E/D

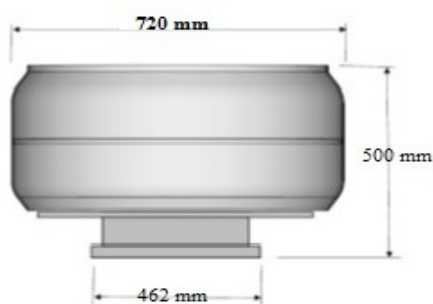
ROOF AXIAL VERTICAL DISCHARGE FAN (PATENT PENDING)



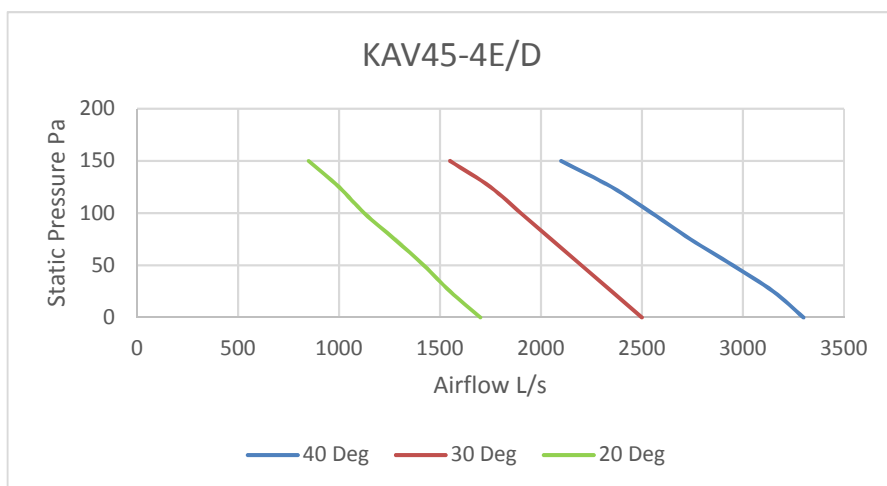
FAN FEATURES

- 457mm ROOF MOUNTED VERTICAL DISCHARGE FAN. CAPABLE OF HANDLING UP TO 3000 L/s.
- USED FOR COMMERCIAL KITCHEN APPLICATIONS AND GENERAL VENTILATION.
- WEATHER PROOF HOUSING. MOTOR OUT OF AIRSTREAM.
- GALVINIZED STEEL CONSTRUCTION.
- SPEED CONTROLLABLE.
- POWDER COATED FINISH.
- CIRCULAR CONNECTION COMPLETE WITH MATCHING FLANGE.
- DETACHABLE WINDBAND FOR EASY CLEANING.
- ADJUSTABLE PITCH IMPELLER.
- FULL COMPLIANCE WITH AUSTRALIAN STANDARDS AIRFLOW TEST TO BS848 PART 1 & NOISE TEST TO BS848 PART 2

DIMENSIONS



PERFORMANCE



SOUND DATA

Model	Octave Band Frequency Lw db (A)								Lw dB (A)	SPL dB (A) @3m
	63	125	250	500	1K	2K	4K	8K		
KAV45	49	58	74	72	73	72	69	64	79	58

TECHNICAL DATA

Fan Model	RPM	1 Phase KW	240V Amps	3 Phase KW	415V Amps	dba @3M
KAV45-4E	1380	0.75	4.4			58
KAV45-4E Var		0.75	4.4			
KAV45-4D	1400			0.75	1.8	58



**ECO DYNAMIC
FANS PTY LTD**

www.ecodynamicfans.com.au

296 South Gippsland Hwy,
Dandenong South VIC 3175

P: 03 8578 5911

E: sales@ecodynamicfans.com.au

F: 03 8768 8529



KAV38-4D-EXE

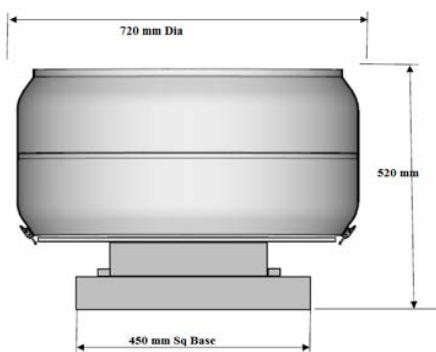
ROOF AXIAL VERTICAL DISCHARGE FAN

PHOTO
COMING
SOON

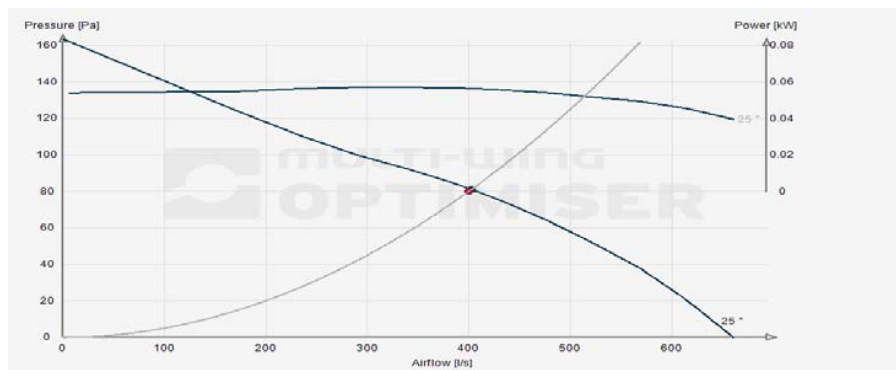
FAN FEATURES

- ROOF MOUNTED VERTICAL DISCHARGE FAN EXE Motor.
- CAPABLE OF HANDLING 400 l/s @ 100 Pa.
- GAS ROOM VENTILATION
- WEATHER PROOF HOUSING.
- GALVINIZED STEEL CONSTRUCTION.
- POWDER COATED FINISH. MOTOR OUT OF AIRSTREAM
- CIRCULAR CONNECTION COMPLETE WITH MATCHING FLANGE.
- DETACHABLE WINDBAND FOR EASY CLEANING.
- ANTI STATIC IMPELLER.
- Impeller 373/6-6/25/PAGAS/3H

DIMENSIONS



PERFORMANCE



SOUND DATA

Model	Octave Band Frequency Lw db (A)								Lw dB (A)	SPL dB (A) @3m
	63	125	250	500	1K	2K	4K	8K		
KAV38-4D-EXE	40	51	60	69	71	69	68	62	76	55

TECHNICAL DATA

Fan Model	RPM	1 Phase KW	240V Amps	3 Phase KW	415V Amps	dba @3M
KAV38-4D-EXE	1375			0.55	1.5	55



ECO DYNAMIC FANS PTY LTD

www.ecodynamicfans.com.au

296 South Gippsland Hwy,
Dandenong South VIC 3175
P: 03 8578 5911
E: sales@ecodynamicfans.com.au
F: 03 8768 8529

ROOF FANS

INLINE FANS

SQUARE & RING PLATE FANS

ACCESSORIES

INDEX



IAR38-4E/D

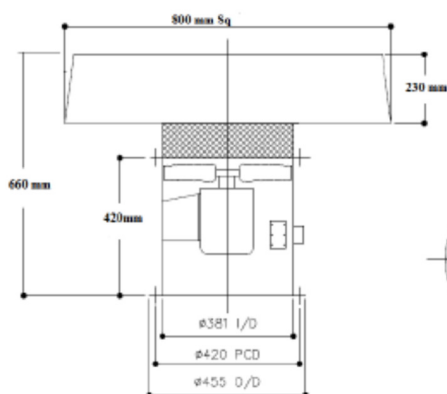
ROOF AXIAL FAN



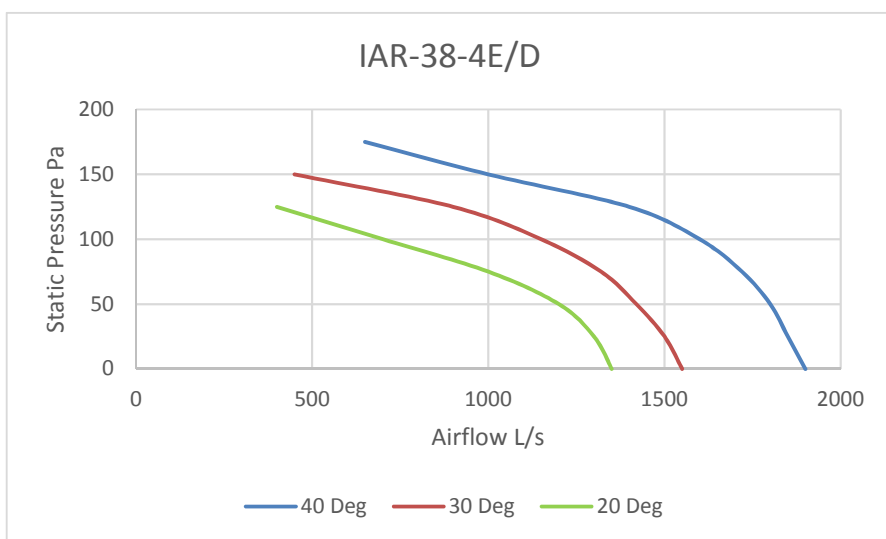
FAN FEATURES

- 381mm ROOF AXIAL FAN SUPPLY OR EXHAUST.
- CAPABLE OF HANDLING 800L/S TO 1800L/S.
- USED FOR COMMERCIAL KITCHEN APPLICATIONS AND GENERAL VENTILATION.
- GALVANIZED STEEL CONSTRUCTION.
- SPEED CONTROLLABLE OPTIONS AVAILABLE.
- CIRCULAR CONNECTION COMPLETE WITH MATCHING FLANGE.
- ADJUSTABLE PITCH IMPELLER.
- FULL COMPLIANCE WITH AUSTRALIAN STANDARDS AIRFLOW TEST TO BS848 PART 1 & NOISE TEST TO BS848 PART 2

DIMENSIONS



PERFORMANCE



SOUND DATA

Model	Octave Band Frequency Lw db (A)								Lw dB (A)	SPL dB (A) @3m
	63	125	250	500	1K	2K	4K	8K		
IAR38	44	53	69	68	69	67	64	59	75	54

TECHNICAL DATA

Fan Model	RPM	1 Phase KW	240V Amps	3 Phase KW	415V Amps	dba @3M
IAR38-4E	1410	0.37	2.9			54
IAR38-4E Var		0.37	2.9			54
IAR38-4D	1400			0.37	1.1	54



ECO DYNAMIC FANS PTY LTD

www.ecodynamicfans.com.au

296 South Gippsland Hwy,
Dandenong South VIC 3175
P: 03 8578 5911

E: sales@ecodynamicfans.com.au
F: 03 8768 8529



IAR45-4E/D

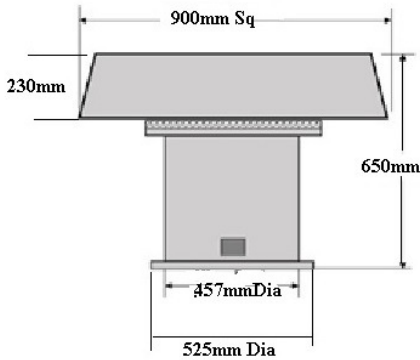
ROOF AXIAL FAN



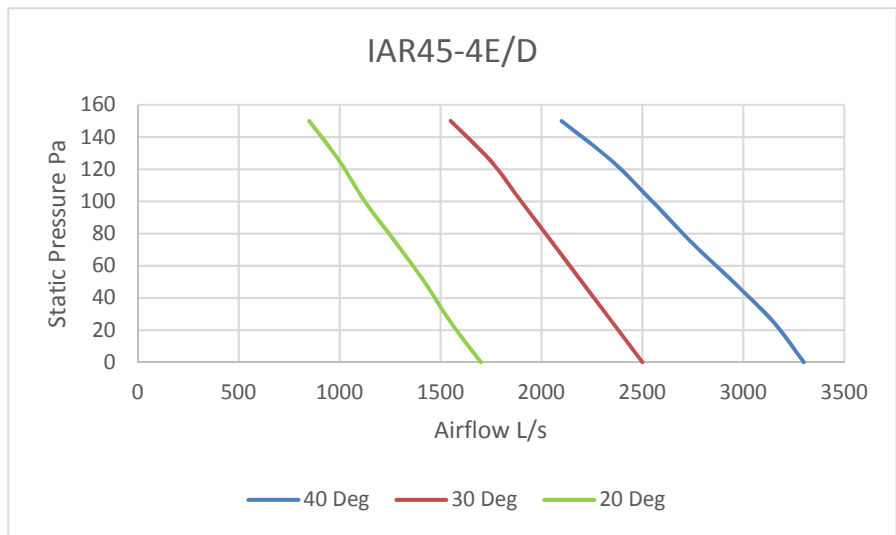
FAN FEATURES

- 457mm Roof AXIAL FAN SUPPLY OR EXHAUST.
- CAPABLE OF HANDLING UP TO 3000L/S.
- USED FOR COMMERCIAL KITCHEN APPLICATIONS AND GENERAL VENTILATION.
- GALVINIZED STEEL CONSTRUCTION.
- SPEED CONTROLLABLE OPTIONS AVAILABLE.
- CIRCULAR CONNECTION COMPLETE WITH MATCHING FLANGE.
- ADJUSTABLE PITCH IMPELLER.
- FULL COMPLIANCE WITH AUSTRALIAN STANDARDS AIRFLOW TEST TO BS848 PART 1 & NOISE TEST TO BS848 PART 2

DIMENSIONS



PERFORMANCE



SOUND DATA

Model	Octave Band Frequency Lw db (A)								Lw dB (A)	SPL dB (A) @3m
	63	125	250	500	1K	2K	4K	8K		
IAR45	49	58	74	72	73	72	69	64	79	58

TECHNICAL DATA

Fan Model	RPM	1 Phase KW	240V Amps	3 Phase KW	415V Amps	dba @3M
IAR45-4E	1420	0.75	4.7			58
IAR45-4E Var	1420	0.75	4.7			
IAR45-4D	1400			0.75	2.1	58



ECO DYNAMIC FANS PTY LTD

www.ecodynamicfans.com.au

296 South Gippsland Hwy,
Dandenong South VIC 3175

P: 03 8578 5911

E: sales@ecodynamicfans.com.au

F: 03 8768 8529

ROOF FANS

INLINE FANS

SQUARE & RING PLATE FANS

ACCESSORIES

INDEX



KCV250-4E

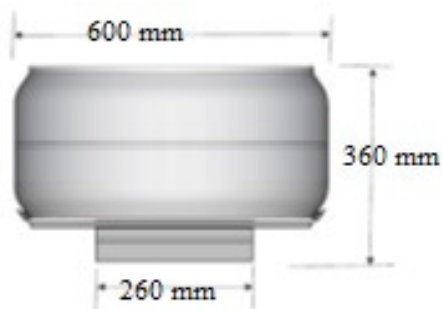
ROOF CENTRIFUGAL VERTICAL DISCHARGE FAN (PATENT PENDING)



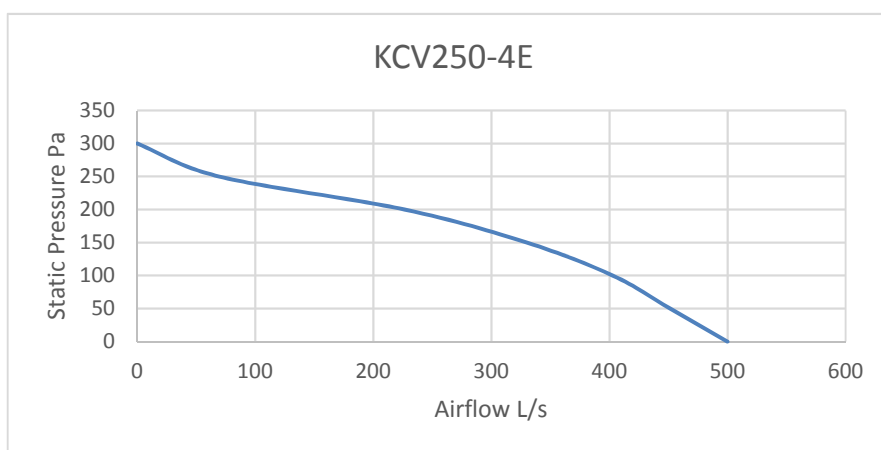
FAN FEATURES

- ROOF MOUNTED VERTICAL DISCHARGE FAN. CAPABLE OF HANDLING UP TO 500 L/s.
- USED FOR COMMERCIAL KITCHEN APPLICATIONS AND GENERAL VENTILATION.
- WEATHER PROOF HOUSING.
- GALVANIZED STEEL CONSTRUCTION.
- SPEED CONTROLLABLE.
- POWDER COATED FINISH.
- CIRCULAR CONNECTION
- DETACHABLE WINDBAND FOR EASY CLEANING.
- FULL COMPLIANCE WITH AUSTRALIAN STANDARDS AIRFLOW TEST TO BS848 PART 1 & NOISE TEST TO BS848 PART 2

DIMENSIONS



PERFORMANCE



SOUND DATA

Model	Octave Band Frequency Lw db (A)								Lw dB (A)	SPL dB (A) @3m
	63	125	250	500	1K	2K	4K	8K		
KCV250-4E	27	51	55	65	67	54	58	51	69	48

TECHNICAL DATA

Fan Model	RPM	1 Phase KW	240V Amps	3 Phase KW	415V Amps	dba @3M
KCV250-4E	1390	0.12	0.55			48



**ECO DYNAMIC
FANS PTY LTD**

www.ecodynamicfans.com.au

296 South Gippsland Hwy,
Dandenong South VIC 3175

P: 03 8578 5911

E: sales@ecodynamicfans.com.au

F: 03 8768 8529



KCV305-4E

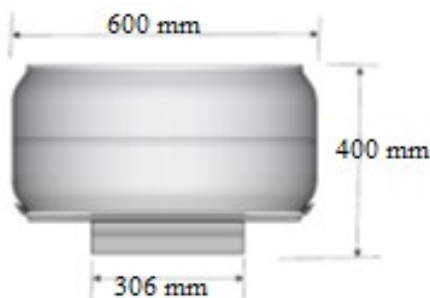
ROOF CENTRIFUGAL VERTICAL DISCHARGE FAN (PATENT PENDING)



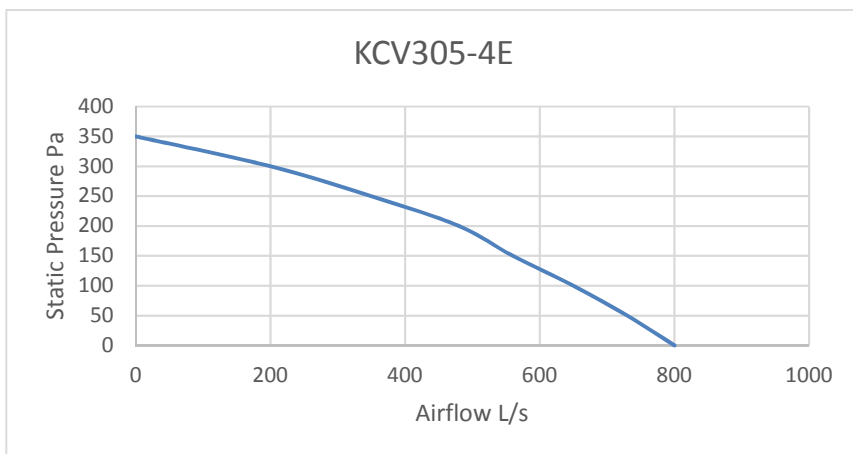
FAN FEATURES

- ROOF MOUNTED VERTICAL DISCHARGE FAN, CAPABLE OF HANDLING UP TO 700 L/s.
- USED FOR COMMERCIAL KITCHEN APPLICATIONS AND GENERAL VENTILATION.
- WEATHER PROOF HOUSING.
- GALVANIZED STEEL CONSTRUCTION.
- SPEED CONTROLLABLE.
- POWDER COATED FINISH.
- CIRCULAR CONNECTION
- DETACHABLE WINDBAND FOR EASY CLEANING.
- FULL COMPLIANCE WITH AUSTRALIAN STANDARDS AIRFLOW TEST TO BS848 PART 1 & NOISE TEST TO BS848 PART 2

DIMENSIONS



PERFORMANCE



SOUND DATA

Model	Octave Band Frequency Lw db (A)								Lw dB (A)	SPL dB (A) @3m
	63	125	250	500	1K	2K	4K	8K		
KCV305-4E	24	48	53	67	69	67	63	49	73	52

TECHNICAL DATA

Fan Model	RPM	1 Phase KW	240V Amps	3 Phase KW	415V Amps	dba @3M
KCV305-4E	1400	0.2	1.0			52



ECO DYNAMIC FANS PTY LTD

296 South Gippsland Hwy,
Dandenong South VIC 3175
P: 03 8578 5911

E: sales@ecodynamicfans.com.au
F: 03 8768 8529

www.ecodynamicfans.com.au

ROOF FANS

INLINE FANS

SQUARE & RING PLATE FANS

ACCESSORIES

INDEX



KCV310-400-4E

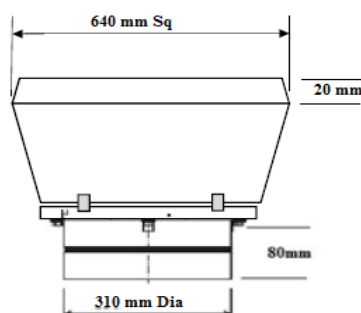
ROOF CENTRIFUGAL VERTICAL DISCHARGE FAN

PHOTO
COMING
SOON

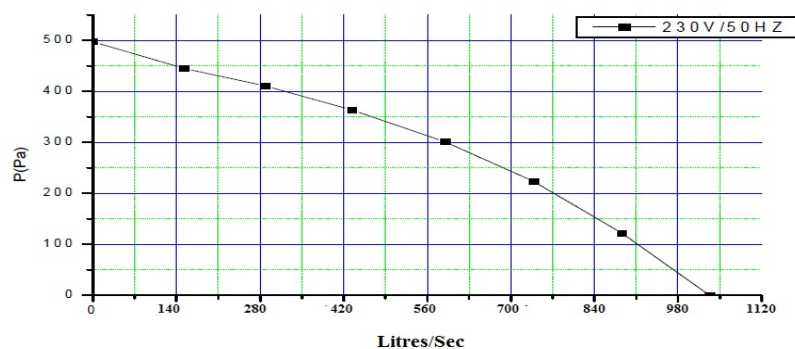
FAN FEATURES

- ROOF MOUNTED VERTICAL DISCHARGE FAN.
- CAPABLE OF HANDLING UP TO 1000 L/s.
- USED FOR COMMERCIAL KITCHEN & Food Vans
- WEATHER PROOF HOUSING.
- GALVINIZED STEEL CONSTRUCTION.
- SPEED CONTROLLABLE.
- SQUARE BASE SEALING ROUND CONNECTION
- FULL COMPLIANCE WITH AUSTRALIAN STANDARDS AIRFLOW TEST TO BS848 PART 1 & NOISE TEST TO BS848 PART 2

DIMENSIONS



PERFORMANCE



SOUND DATA

Model	Octave Band Frequency Lw db (A)								Lw dB (A)	SPL dB (A) @3m
	63	125	250	500	1K	2K	4K	8K		
KCV310-400	63	70	74	71	70	67	63	57	76	55

TECHNICAL DATA

Fan Model	RPM	1 Phase KW	240V Amps	3 Phase KW	415V Amps	dba @3M
KCV310-400	1360	0.37	1.6			55



ECO DYNAMIC FANS PTY LTD

296 South Gippsland Hwy,
Dandenong South VIC 3175

P: 03 8578 5911

E: sales@ecodynamicfans.com.au

F: 03 8768 8529

www.ecodynamicfans.com.au



KCV381-4/6D-F

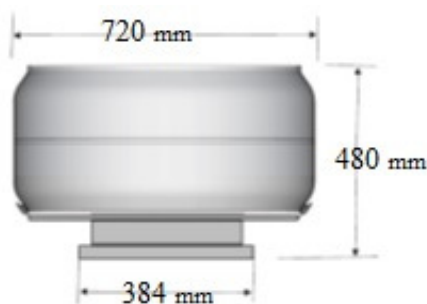
ROOF CENTRIFUGAL VERTICAL DISCHARGE FAN



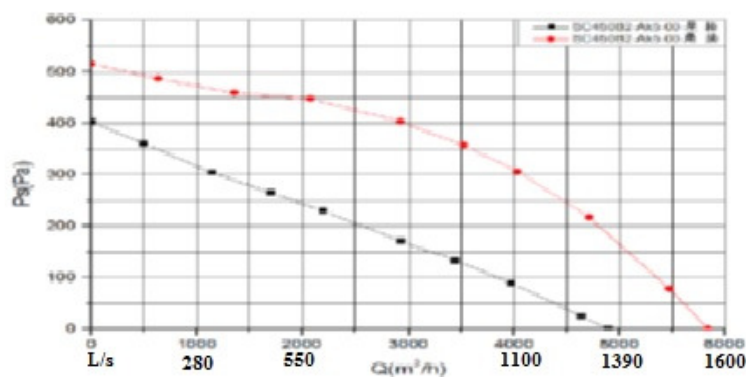
FAN FEATURES

- ROOF MOUNTED VERTICAL DISCHARGE FAN.
- CAPABLE OF HANDLING UP TO 1600 L/s.
- USED FOR COMMERCIAL KITCHEN APPLICATIONS AND GENERAL VENTILATION.
- WEATHER PROOF HOUSING.
- GALVANIZED STEEL CONSTRUCTION.
- SPEED CONTROLLABLE, VSD, STAR/DELTA SWITCH OR 5 STEP CONTROLLERS
- ROUND FLANGE CONNECTION
- DETACHABLE WINDBAND FOR EASY CLEANING.
- 3 PHASE MOTOR 2 SPEED STAR/DELTA
- FULL COMPLIANCE WITH AUSTRALIAN STANDARDS AIRFLOW TEST TO BS848 PART 1 & NOISE TEST TO BS848 PART 2

DIMENSIONS



PERFORMANCE



SOUND DATA

Model	Octave Band Frequency Lw db (A)								Lw dB (A)	SPL dB (A) @3m
	63	125	250	500	1K	2K	4K	8K		
KCV381-4D									71	50
KCV381-6D									66	45

TECHNICAL DATA

Fan Model	RPM	1 Phase KW	240V Amps	3 Phase KW	415V Amps	dba @3M
KCV381-4D	1390			0.50	1.26	50
KCV381-6D	1170			0.38	0.68	45



ECO DYNAMIC FANS PTY LTD

296 South Gippsland Hwy,
Dandenong South VIC 3175
P: 03 8578 5911
E: sales@ecodynamicfans.com.au
F: 03 8768 8529

www.ecodynamicfans.com.au



KCV457-4/6D-F

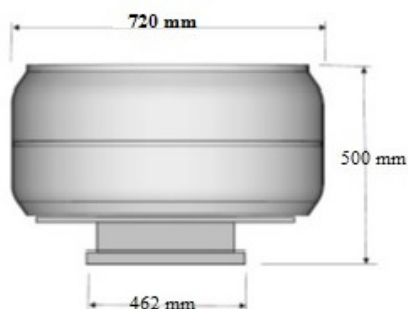
ROOF CENTRIFUGAL VERTICAL DISCHARGE FAN



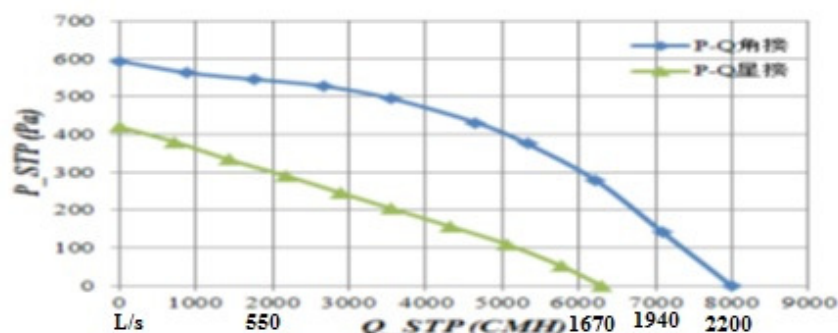
FAN FEATURES

- ROOF MOUNTED VERTICAL DISCHARGE FAN.
- CAPABLE OF HANDLING UP TO 2200 L/s.
- USED FOR COMMERCIAL KITCHEN APPLICATIONS AND GENERAL VENTILATION.
- WEATHER PROOF HOUSING.
- GALVANIZED STEEL CONSTRUCTION.
- SPEED CONTROLLABLE, VSD, STAR/DELTA SWITCH OR 5 STEP CONTROLLERS
- ROUND FLANGE CONNECTION
- DETACHABLE WINDBAND FOR EASY CLEANING.
- 3 PHASE MOTOR 2 SPEED STAR/DELTA
- FULL COMPLIANCE WITH AUSTRALIAN STANDARDS AIRFLOW TEST TO BS848 PART 1 & NOISE TEST TO BS848 PART 2

DIMENSIONS



PERFORMANCE



SOUND DATA

Model	Octave Band Frequency Lw db (A)								Lw dB (A)	SPL dB (A) @3m
	63	125	250	500	1K	2K	4K	8K		
KCV457-4D									83	62
KCV457-6D									80	59

TECHNICAL DATA

Fan Model	RPM	1 Phase KW	240V Amps	3 Phase KW	415V Amps	dba @3M
KCV457-4D	1390			0.85	1.5	62
KCV457-6D	1160			0.66	1.16	59



ECO DYNAMIC FANS PTY LTD

296 South Gippsland Hwy,
Dandenong South VIC 3175
P: 03 8578 5911
E: sales@ecodynamicfans.com.au
F: 03 8768 8529

www.ecodynamicfans.com.au



CRV310-4E

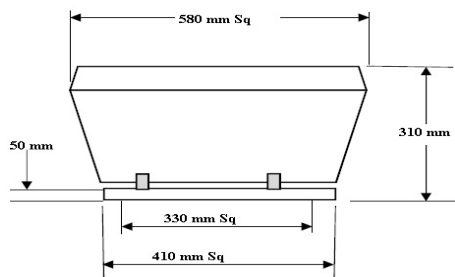
ROOF CENTRIFUGAL VERTICAL DISCHARGE FAN



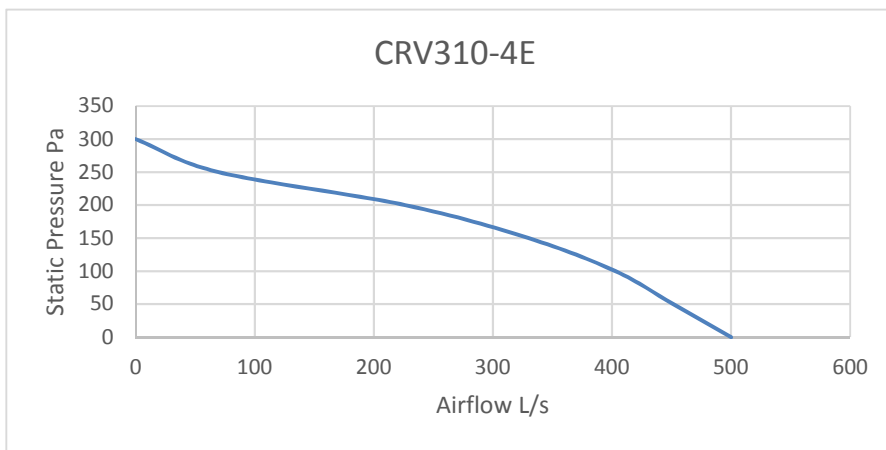
FAN FEATURES

- ROOF MOUNTED VERTICAL DISCHARGE FAN. CAPABLE OF HANDLING UP TO 500 L/s.
- USED FOR COMMERCIAL KITCHEN APPLICATIONS AND GENERAL VENTILATION.
- WEATHER PROOF HOUSING.
- GALVANIZED STEEL CONSTRUCTION.
- SPEED CONTROLLABLE.
- SQUARE BASE CONNECTION
- DETACHABLE WINDBAND FOR EASY CLEANING.
- FULL COMPLIANCE WITH AUSTRALIAN STANDARDS AIRFLOW TEST TO BS848 PART 1 & NOISE TEST TO BS848 PART 2

DIMENSIONS



PERFORMANCE



SOUND DATA

Model	Octave Band Frequency Lw db (A)								Lw dB (A)	SPL dB (A) @3m
	63	125	250	500	1K	2K	4K	8K		
CRV310-4E	27	51	55	65	67	54	58	51	69	48

TECHNICAL DATA

Fan Model	RPM	1 Phase KW	240V Amps	3 Phase KW	415V Amps	dba @3M
CRV310-4E	1390	0.12	0.55			48



ECO DYNAMIC FANS PTY LTD

296 South Gippsland Hwy,
Dandenong South VIC 3175
P: 03 8578 5911

E: sales@ecodynamicfans.com.au
F: 03 8768 8529

www.ecodynamicfans.com.au



CRV355-4E

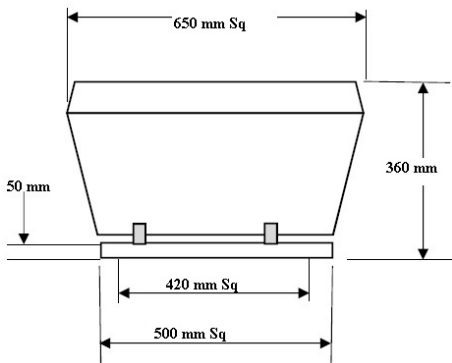
ROOF CENTRIFUGAL VERTICAL DISCHARGE FAN



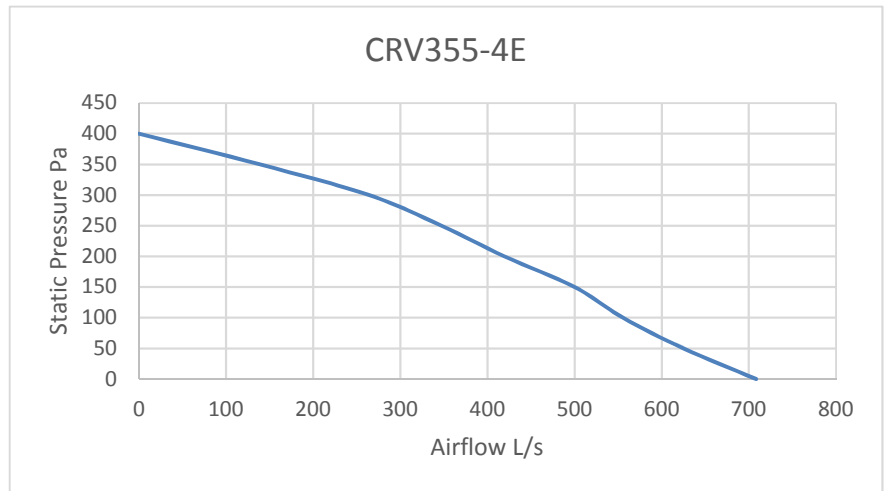
FAN FEATURES

- ROOF MOUNTED VERTICAL DISCHARGE FAN. CAPABLE OF HANDLING UP TO 700 L/s.
- USED FOR COMMERCIAL KITCHEN APPLICATIONS AND GENERAL VENTILATION.
- WEATHER PROOF HOUSING.
- GALVANIZED STEEL CONSTRUCTION.
- SPEED CONTROLLABLE.
- SQUARE BASE CONNECTION
- DETACHABLE WINDBAND FOR EASY CLEANING.
- FULL COMPLIANCE WITH AUSTRALIAN STANDARDS AIRFLOW TEST TO BS848 PART 1 & NOISE TEST TO BS848 PART 2

DIMENSIONS



PERFORMANCE



SOUND DATA

Model	Octave Band Frequency Lw db (A)								Lw dB (A)	SPL dB (A) @3m
	63	125	250	500	1K	2K	4K	8K		
CRV355-4E	24	48	53	67	69	67	63	49	73	52

TECHNICAL DATA

Fan Model	RPM	1 Phase KW	240V Amps	3 Phase KW	415V Amps	dba @3M
CRV355-4E	1400	0.2	1.0			52



**ECO DYNAMIC
FANS PTY LTD**

www.ecodynamicfans.com.au

296 South Gippsland Hwy,
Dandenong South VIC 3175

P: 03 8578 5911

E: sales@ecodynamicfans.com.au

F: 03 8768 8529



CRV400-4/6D

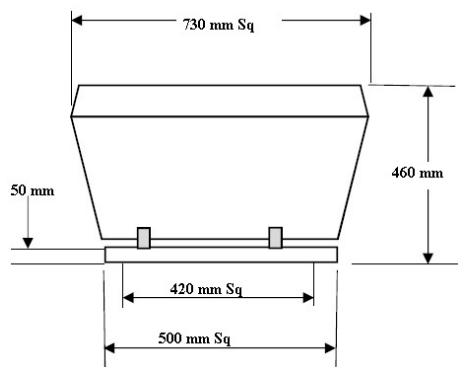
ROOF CENTRIFUGAL VERTICAL DISCHARGE FAN



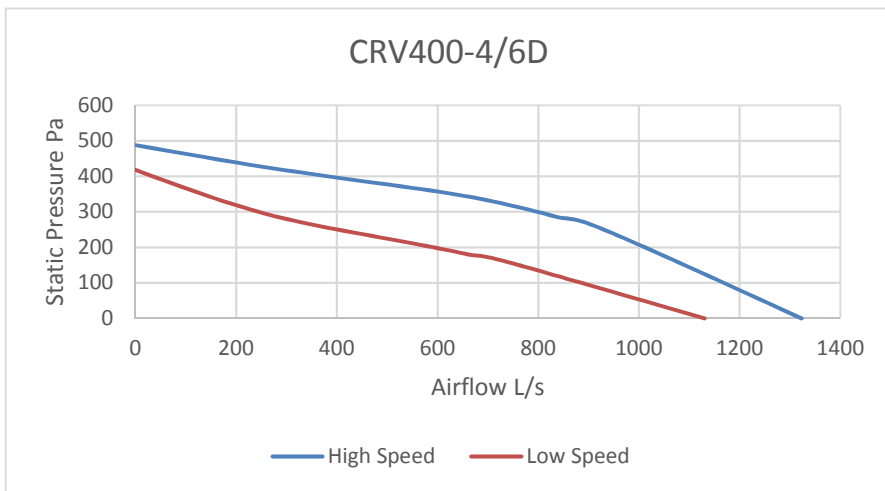
FAN FEATURES

- ROOF MOUNTED VERTICAL DISCHARGE FAN. CAPABLE OF HANDLING UP TO 1300 L/s.
- USED FOR COMMERCIAL KITCHEN APPLICATIONS AND GENERAL VENTILATION.
- WEATHER PROOF HOUSING.
- GALVINIZED STEEL CONSTRUCTION.
- SPEED CONTROLLABLE.
- SQUARE BASE CONNECTION
- DETACHABLE WINDBAND FOR EASY CLEANING.
- FULL COMPLIANCE WITH AUSTRALIAN STANDARDS AIRFLOW TEST TO BS848 PART 1 & NOISE TEST TO BS848 PART 2

DIMENSIONS



PERFORMANCE



SOUND DATA

Model	Octave Band Frequency Lw db (A)								Lw dB (A)	SPL dB (A) @3m
	63	125	250	500	1K	2K	4K	8K		
CRV400-4D	44	57	60	66	60	59	58	64	70	49
CRV400-6D	34	53	55	61	56	65	53	57	67	46

TECHNICAL DATA

Fan Model	RPM	1 Phase KW	240V Amps	3 Phase KW	415V Amps	dba @3M
CRV400-4D	1345			0.49	0.93	49
CRV400-6D	1080			0.34	0.55	46



ECO DYNAMIC FANS PTY LTD

www.ecodynamicfans.com.au

296 South Gippsland Hwy,
Dandenong South VIC 3175
P: 03 8578 5911
E: sales@ecodynamicfans.com.au
F: 03 8768 8529

ROOF FANS

INLINE FANS

SQUARE & RING PLATE FANS

ACCESSORIES

INDEX



CRV400-4E

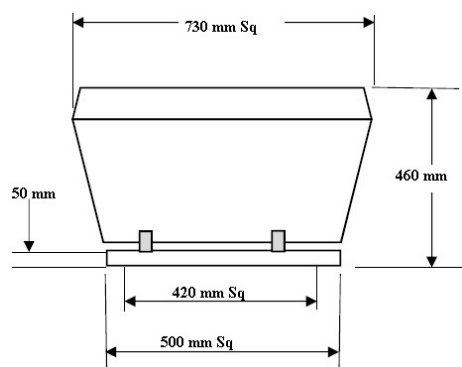
ROOF CENTRIFUGAL VERTICAL DISCHARGE FAN



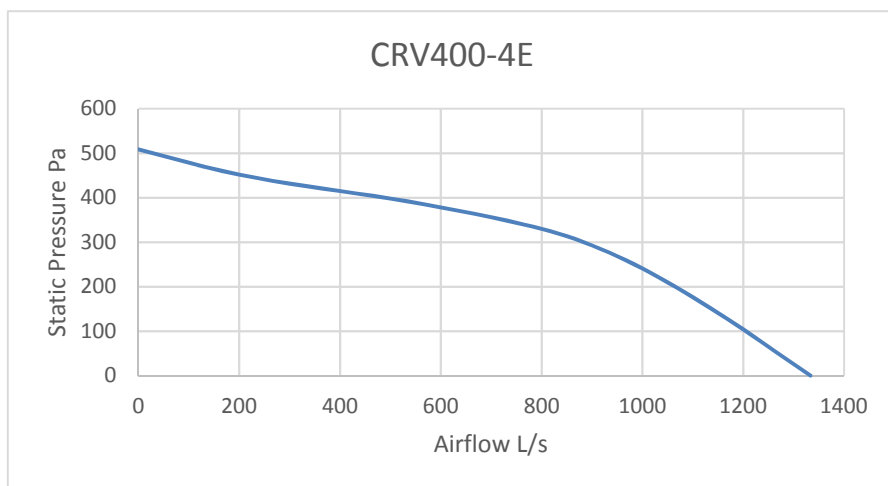
FAN FEATURES

- ROOF MOUNTED VERTICAL DISCHARGE FAN. CAPABLE OF HANDLING UP TO 1300 .
- USED FOR COMMERCIAL KITCHEN APPLICATIONS AND GENERAL VENTILATION.
- WEATHER PROOF HOUSING.
- GALVINIZED STEEL CONSTRUCTION.
- SPEED CONTROLLABLE.
- SQUARE BASE CONNECTION
- DETACHABLE WINDBAND FOR EASY CLEANING.
- FULL COMPLIANCE WITH AUSTRALIAN STANDARDS AIRFLOW TEST TO BS848 PART 1 & NOISE TEST TO BS848 PART 2

DIMENSIONS



PERFORMANCE



SOUND DATA

Model	Octave Band Frequency Lw db (A)								Lw dB (A)	SPL dB (A) @3m
	63	125	250	500	1K	2K	4K	8K		
CRV400-4E	44	57	60	66	60	59	58	64	70	49

TECHNICAL DATA

Fan Model	RPM	1 Phase KW	240V Amps	3 Phase KW	415V Amps	dba @3M
CRV400-4E	1390	0.55	2.6			49



ECO DYNAMIC FANS PTY LTD

296 South Gippsland Hwy,
Dandenong South VIC 3175
P: 03 8578 5911
E: sales@ecodynamicfans.com.au
F: 03 8768 8529

www.ecodynamicfans.com.au



CRV450-4/6D

ROOF CENTRIFUGAL VERTICAL DISCHARGE FAN

ROOF FANS

INLINE FANS

SQUARE & RING PLATE FANS

ACCESSORIES

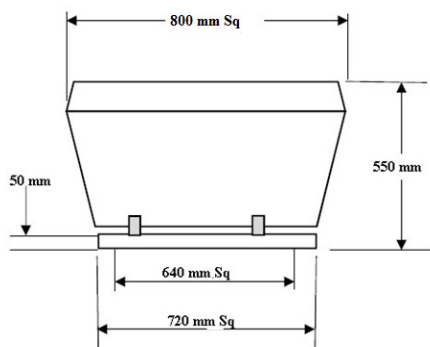
INDEX



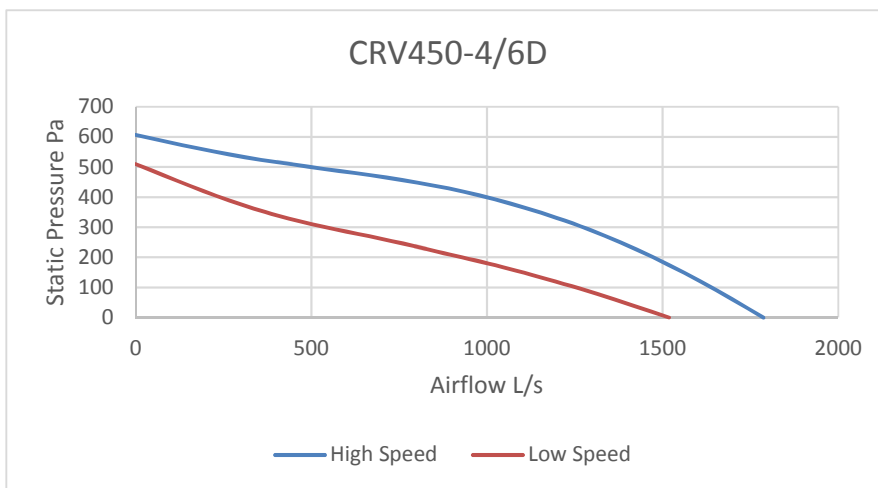
FAN FEATURES

- ROOF MOUNTED VERTICAL DISCHARGE FAN.
- CAPABLE OF HANDLING UP TO 1700 L/s.
- USED FOR COMMERCIAL KITCHEN APPLICATIONS AND GENERAL VENTILATION.
- WEATHER PROOF HOUSING.
- GALVINIZED STEEL CONSTRUCTION.
- SPEED CONTROLLABLE, VSD, STAR/DELTA SWITCH OR 5 STEP CONTROLLER
- SQUARE BASE CONNECTION
- DETACHABLE WINDBAND FOR EASY CLEANING.
- 3 PHASE MOTOR 2 SPEED STAR/DELTA
- FULL COMPLIANCE WITH AUSTRALIAN STANDARDS AIRFLOW TEST TO BS848 PART 1 & NOISE TEST TO BS848 PART 2

DIMENSIONS



PERFORMANCE



SOUND DATA

Model	Octave Band Frequency Lw db (A)								Lw dB (A)	SPL dB (A) @3m
	63	125	250	500	1K	2K	4K	8K		
CRV450-4D	46	64	68	71	66	65	62	67	75	54
CRV450-6D	49	55	59	61	58	57	61	54	67	46

TECHNICAL DATA

Fan Model	RPM	1 Phase KW	240V Amps	3 Phase KW	415V Amps	dba @3M
CRV450-4D	1330			0.8	1.58	54
CRV450-6D	1040			0.54	0.94	46



ECO DYNAMIC FANS PTY LTD

296 South Gippsland Hwy,
Dandenong South VIC 3175

P: 03 8578 5911

E: sales@ecodynamicfans.com.au

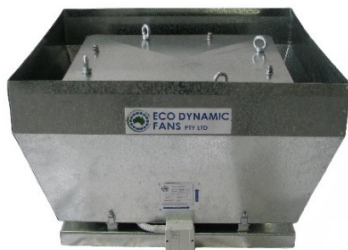
F: 03 8768 8529

www.ecodynamicfans.com.au



CRV450-4E

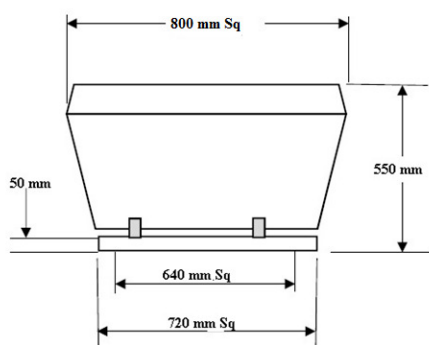
ROOF CENTRIFUGAL VERTICAL DISCHARGE FAN



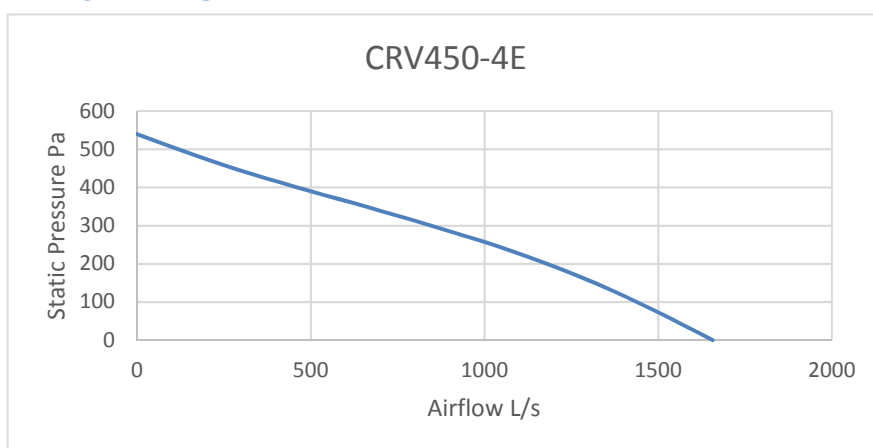
FAN FEATURES

- ROOF MOUNTED VERTICAL DISCHARGE FAN.
- CAPABLE OF HANDLING UP TO 1600 L/s.
- USED FOR COMMERCIAL KITCHEN APPLICATIONS AND GENERAL VENTILATION.
- WEATHER PROOF HOUSING.
- GALVINIZED STEEL CONSTRUCTION.
- SPEED CONTROLLABLE.
- SQUARE BASE CONNECTION
- DETACHABLE WINDBAND FOR EASY CLEANING.
- FULL COMPLIANCE WITH AUSTRALIAN STANDARDS AIRFLOW TEST TO BS848 PART 1 & NOISE TEST TO BS848 PART 2

DIMENSIONS



PERFORMANCE



SOUND DATA

Model	Octave Band Frequency Lw db (A)								Lw dB (A)	SPL dB (A) @3m
	63	125	250	500	1K	2K	4K	8K		
CRV450-4E	46	59	65	66	61	60	57	52	71	50

TECHNICAL DATA

Fan Model	RPM	1 Phase KW	240V Amps	3 Phase KW	415V Amps	dba @3M
CRV450-4E	1160	0.66	3.0			50



**ECO DYNAMIC
FANS PTY LTD**

296 South Gippsland Hwy,
Dandenong South VIC 3175
P: 03 8578 5911
E: sales@ecodynamicfans.com.au
F: 03 8768 8529

www.ecodynamicfans.com.au



CRV500-4/6D

ROOF CENTRIFUGAL VERTICAL DISCHARGE FAN

ROOF FANS

INLINE FANS

SQUARE & RING PLATE FANS

ACCESSORIES

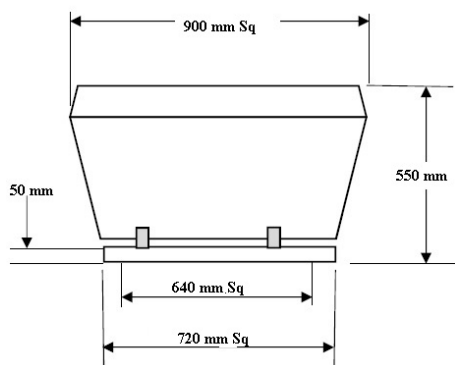
INDEX



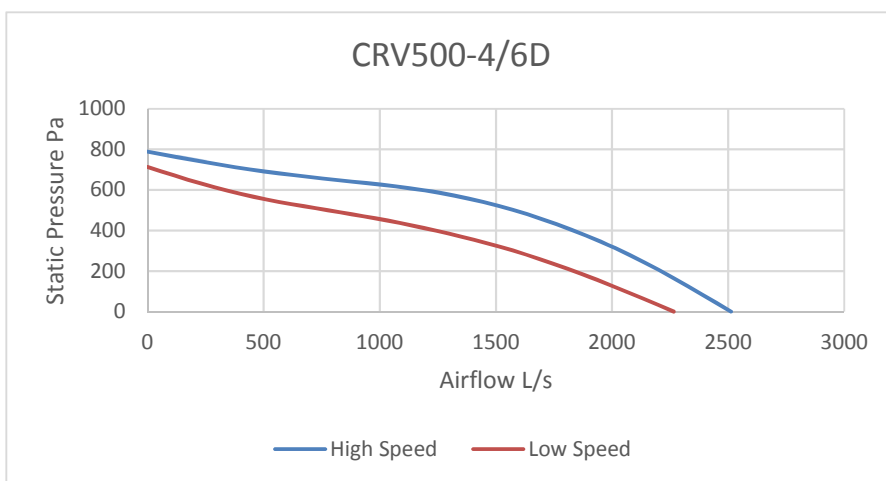
FAN FEATURES

- ROOF MOUNTED VERTICAL DISCHARGE FAN.
- CAPABLE OF HANDLING UP TO 2500 L/s.
- USED FOR COMMERCIAL KITCHEN APPLICATIONS AND GENERAL VENTILATION.
- WEATHER PROOF HOUSING.
- GALVINIZED STEEL CONSTRUCTION.
- SPEED CONTROLLABLE , VSD, STAR/DELTA SWITCH OR 5 STEP CONTROLLER
- SQUARE BASE CONNECTION
- DETACHABLE WINDBAND FOR EASY CLEANING.
- 3 PHASE MOTOR 2 SPEED STAR/DELTA
- FULL COMPLIANCE WITH AUSTRALIAN STANDARDS AIRFLOW TEST TO BS848 PART 1 & NOISE TEST TO BS848 PART 2

DIMENSIONS



PERFORMANCE



SOUND DATA

Model	Octave Band Frequency Lw db (A)								Lw dB (A)	SPL dB (A) @3m
	63	125	250	500	1K	2K	4K	8K		
CRV500-4D	51	68	72	76	71	71	59	68	79	58
CRV500-6D	56	58	61	63	61	57	66	59	70	49

TECHNICAL DATA

Fan Model	RPM	1 Phase KW	240V Amps	3 Phase KW	415V Amps	dba @3M
CRV500-4D	1395			1.4	2.9	58
CRV500-6D	1200			1.08	1.81	49



ECO DYNAMIC FANS PTY LTD

296 South Gippsland Hwy,
Dandenong South VIC 3175
P: 03 8578 5911

E: sales@ecodynamicfans.com.au
F: 03 8768 8529

www.ecodynamicfans.com.au



CRV500-4E

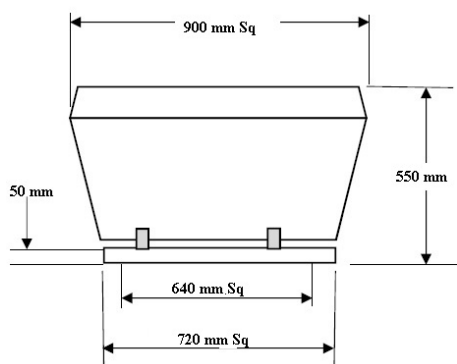
ROOF CENTRIFUGAL VERTICAL DISCHARGE FAN



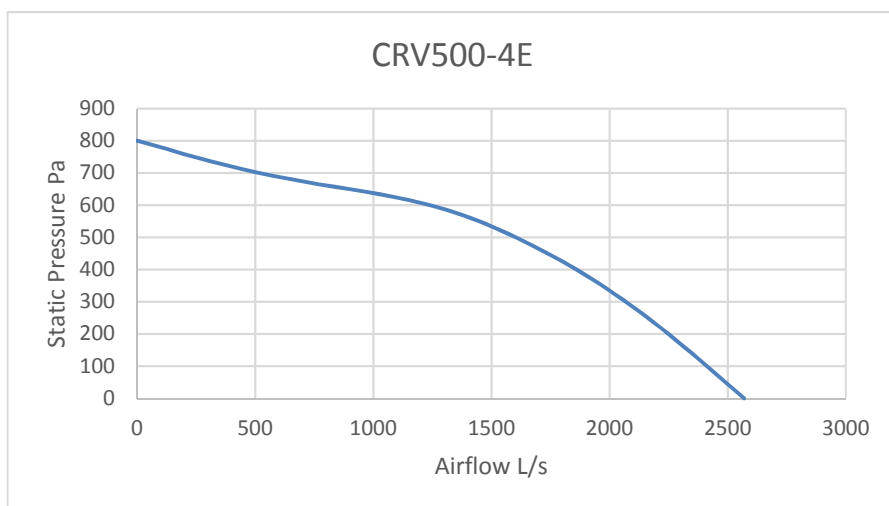
FAN FEATURES

- ROOF MOUNTED VERTICAL DISCHARGE FAN. 240V
- CAPABLE OF HANDLING UP TO 2500 L/s.
- USED FOR COMMERCIAL KITCHEN APPLICATIONS AND GENERAL VENTILATION.
- WEATHER PROOF HOUSING.
- GALVINIZED STEEL CONSTRUCTION.
- SPEED CONTROLLABLE
- SQUARE BASE CONNECTION
- DETACHABLE WINDBAND FOR EASY CLEANING.
- FULL COMPLIANCE WITH AUSTRALIAN STANDARDS AIRFLOW TEST TO BS848 PART 1 & NOISE TEST TO BS848 PART 2

DIMENSIONS



PERFORMANCE



SOUND DATA

Model	Octave Band Frequency Lw db (A)								Lw dB (A)	SPL dB (A) @3m
	63	125	250	500	1K	2K	4K	8K		
CRV500-4E	51	68	72	76	71	71	59	68	79	58

TECHNICAL DATA

Fan Model	RPM	1 Phase KW	240V Amps	3 Phase KW	415V Amps	dba @3M
CRV500-4E	1386	1.49	6.8			58



ECO DYNAMIC FANS PTY LTD

www.ecodynamicfans.com.au

296 South Gippsland Hwy,
Dandenong South VIC 3175

P: 03 8578 5911

E: sales@ecodynamicfans.com.au

F: 03 8768 8529



CRV500-4/6D

ROOF CENTRIFUGAL VERTICAL DISCHARGE FAN

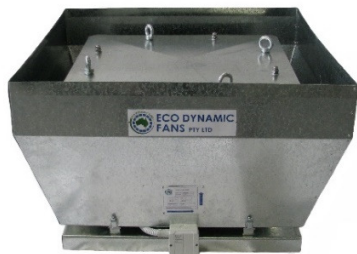
ROOF FANS

INLINE FANS

SQUARE & RING PLATE FANS

ACCESSORIES

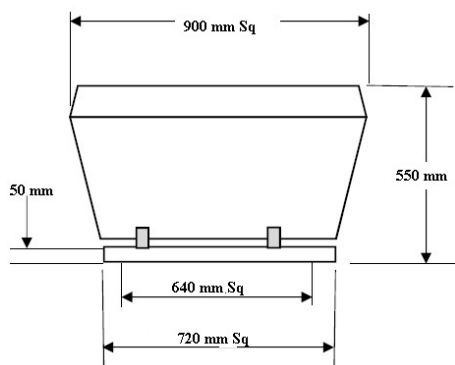
INDEX



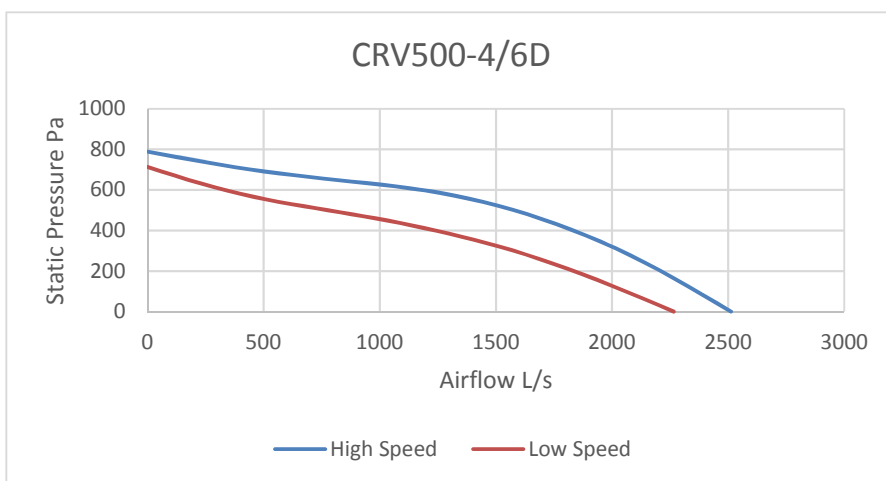
FAN FEATURES

- ROOF MOUNTED VERTICAL DISCHARGE FAN.
- CAPABLE OF HANDLING UP TO 2500 L/s.
- USED FOR COMMERCIAL KITCHEN APPLICATIONS AND GENERAL VENTILATION.
- WEATHER PROOF HOUSING.
- GALVINIZED STEEL CONSTRUCTION.
- SPEED CONTROLLABLE , VSD, STAR/DELTA SWITCH OR 5 STEP CONTROLLER
- SQUARE BASE CONNECTION
- DETACHABLE WINDBAND FOR EASY CLEANING.
- 3 PHASE MOTOR 2 SPEED STAR/DELTA
- FULL COMPLIANCE WITH AUSTRALIAN STANDARDS AIRFLOW TEST TO BS848 PART 1 & NOISE TEST TO BS848 PART 2

DIMENSIONS



PERFORMANCE



SOUND DATA

Model	Octave Band Frequency Lw db (A)								Lw dB (A)	SPL dB (A) @3m
	63	125	250	500	1K	2K	4K	8K		
CRV500-4D	51	68	72	76	71	71	59	68	79	58
CRV500-6D	56	58	61	63	61	57	66	59	70	49

TECHNICAL DATA

Fan Model	RPM	1 Phase KW	240V Amps	3 Phase KW	415V Amps	dba @3M
CRV500-4D	1395			1.4	2.9	58
CRV500-6D	1200			1.08	1.81	49



ECO DYNAMIC FANS PTY LTD

296 South Gippsland Hwy,
Dandenong South VIC 3175
P: 03 8578 5911
E: sales@ecodynamicfans.com.au
F: 03 8768 8529

www.ecodynamicfans.com.au



CRV560-4/6D

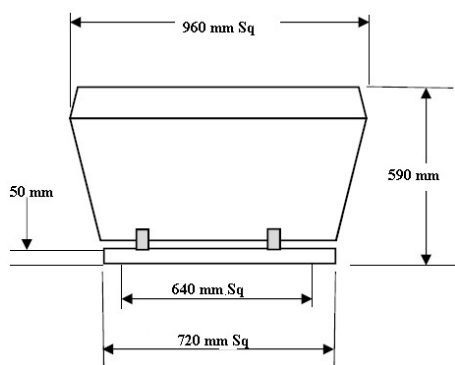
ROOF CENTRIFUGAL VERTICAL DISCHARGE FAN



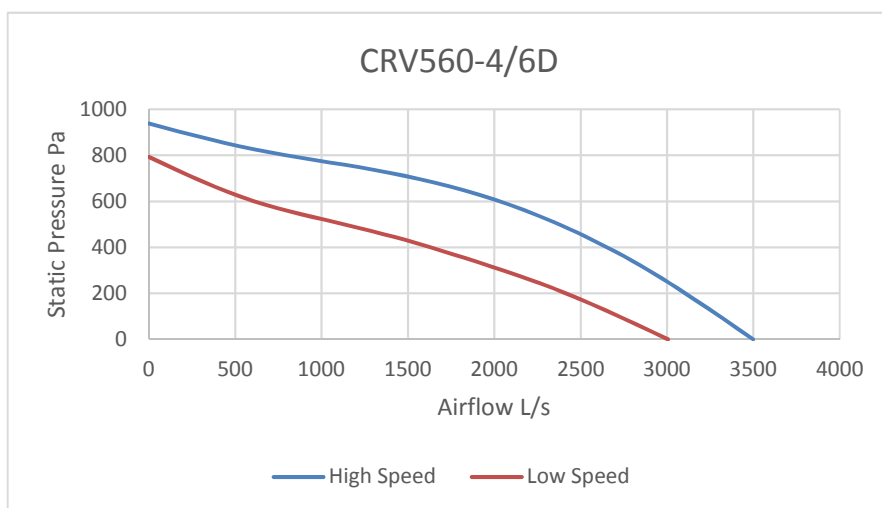
FAN FEATURES

- ROOF MOUNTED VERTICAL DISCHARGE FAN. CAPABLE OF HANDLING UP TO 3500 L/s.
- USED FOR COMMERCIAL KITCHEN APPLICATIONS AND GENERAL VENTILATION.
- WEATHER PROOF HOUSING.
- GALVINIZED STEEL CONSTRUCTION.
- SPEED CONTROLLABLE , VSD, STAR/DELTA SWITCH OR 5 STEP CONTROLLER
- SQUARE BASE CONNECTION
- DETACHABLE WINDBAND FOR EASY CLEANING.
- 3 PHASE MOTOR 2 SPEED STAR/DELTA
- FULL COMPLIANCE WITH AUSTRALIAN STANDARDS AIRFLOW TEST TO BS848 PART 1 & NOISE TEST TO BS848 PART 2

DIMENSIONS



PERFORMANCE



SOUND DATA

Model	Octave Band Frequency Lw db (A)								Lw dB (A)	SPL dB (A) @3m
	63	125	250	500	1K	2K	4K	8K		
CRV560-4D	54	75	76	77	74	72	70	68	82	61
CRV560-6D	59	61	64	66	64	60	69	62	74	53

TECHNICAL DATA

Fan Model	RPM	1 Phase KW	240V Amps	3 Phase KW	415V Amps	dba @3M
CRV560-4D	1330			2.2	4.3	61
CRV560-6D	1085			1.51	2.5	53



**ECO DYNAMIC
FANS PTY LTD**

www.ecodynamicfans.com.au

296 South Gippsland Hwy,
Dandenong South VIC 3175

P: 03 8578 5911

E: sales@ecodynamicfans.com.au

F: 03 8768 8529



CRV630-6/8D

ROOF CENTRIFUGAL VERTICAL DISCHARGE FAN

ROOF FANS

INLINE FANS

SQUARE & RING PLATE FANS

ACCESSORIES

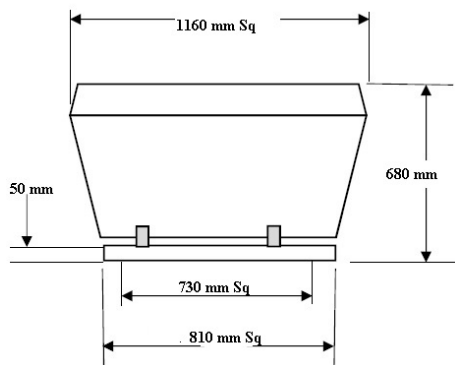
INDEX



FAN FEATURES

- ROOF MOUNTED VERTICAL DISCHARGE FAN. CAPABLE OF HANDLING UP TO 2800 L/s.
- USED FOR COMMERCIAL KITCHEN APPLICATIONS AND GENERAL VENTILATION.
- WEATHER PROOF HOUSING.
- GALVINIZED STEEL CONSTRUCTION.
- SPEED CONTROLLABLE , VSD, STAR/DELTA SWITCH OR 5 STEP CONTROLLER
- SQUARE BASE CONNECTION
- DETACHABLE WINDBAND FOR EASY CLEANING.
- 3 PHASE MOTOR 2 SPEED STAR/DELTA
- FULL COMPLIANCE WITH AUSTRALIAN STANDARDS AIRFLOW TEST TO BS848 PART 1 & NOISE TEST TO BS848 PART 2

DIMENSIONS



PERFORMANCE



SOUND DATA

Model	Octave Band Frequency Lw db (A)								Lw dB (A)	SPL dB (A) @3m
	63	125	250	500	1K	2K	4K	8K		
CRV630-6D	52	60	68	68	66	68	73	74	78	57
CRV630-8D	44	52	60	60	58	60	65	66	70	49

TECHNICAL DATA

Fan Model	RPM	1 Phase KW	240V Amps	3 Phase KW	415V Amps	dba @3M
CRV630-6D	860			1.1	2.1	57
CRV630-8D	670			0.66	1.15	49



ECO DYNAMIC FANS PTY LTD

www.ecodynamicfans.com.au

296 South Gippsland Hwy,
Dandenong South VIC 3175

P: 03 8578 5911

E: sales@ecodynamicfans.com.au

F: 03 8768 8529



CRV710-6/8D

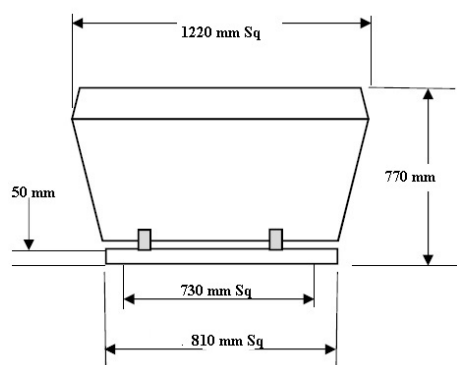
ROOF CENTRIFUGAL VERTICAL DISCHARGE FAN



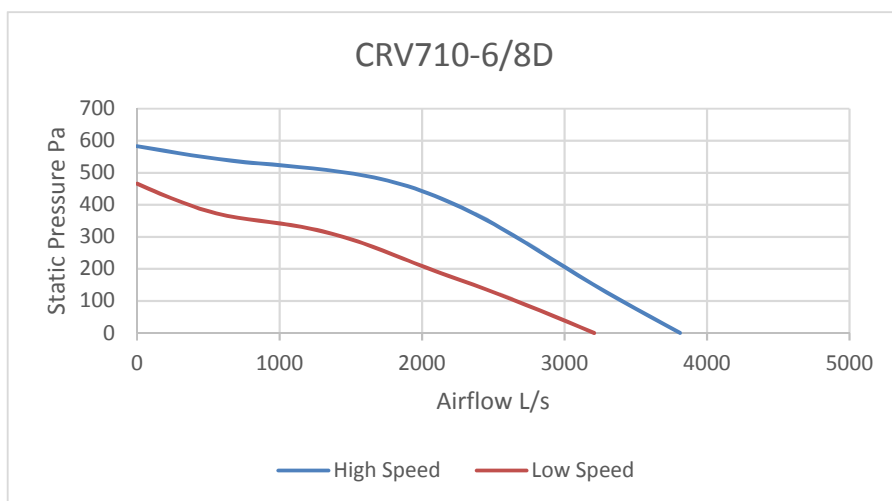
FAN FEATURES

- ROOF MOUNTED VERTICAL DISCHARGE FAN. CAPABLE OF HANDLING UP TO 3800 L/s.
- USED FOR COMMERCIAL KITCHEN APPLICATIONS AND GENERAL VENTILATION.
- WEATHER PROOF HOUSING.
- GALVINIZED STEEL CONSTRUCTION.
- SPEED CONTROLLABLE , VSD, STAR/DELTA SWITCH OR 5 STEP CONTROLLER
- SQUARE BASE CONNECTION
- DETACHABLE WINDBAND FOR EASY CLEANING.
- 3 PHASE MOTOR 2 SPEED STAR/DELTA
- FULL COMPLIANCE WITH AUSTRALIAN STANDARDS AIRFLOW TEST TO BS848 PART 1 & NOISE TEST TO BS848 PART 2

DIMENSIONS



PERFORMANCE



SOUND DATA

Model	Octave Band Frequency Lw db (A)								Lw dB (A)	SPL dB (A) @3m
	63	125	250	500	1K	2K	4K	8K		
CRV710-6D	59	71	79	72	73	71	62	81	84	63
CRV710-8D	61	63	66	68	66	62	71	64	76	55

TECHNICAL DATA

Fan Model	RPM	1 Phase KW	240V Amps	3 Phase KW	415V Amps	dba @3M
CRV710-6D	910			2.1	4.1	63
CRV710-8D	715			1.4	2.6	55



**ECO DYNAMIC
FANS PTY LTD**

www.ecodynamicfans.com.au

296 South Gippsland Hwy,
Dandenong South VIC 3175

P: 03 8578 5911

E: sales@ecodynamicfans.com.au

F: 03 8768 8529



CRVT400-4D

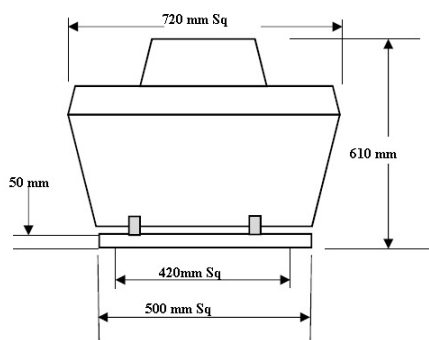
ROOF CENTRIFUGAL FAN TEFC



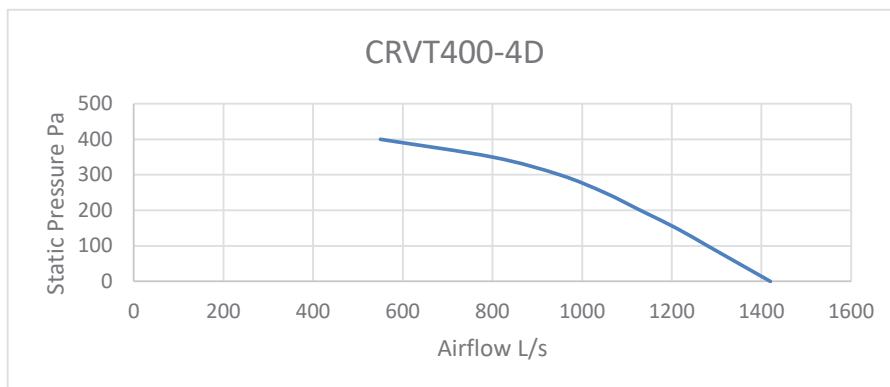
FAN FEATURES

- 400mm ROOF CENTRIFUGAL FAN WITH TEFC MOTOR.
- CAPABLE OF HANDLING UP TO 1400L/S.
- USED FOR COMMERCIAL KITCHEN APPLICATIONS AND GENERAL VENTILATION.
- GALVINIZED STEEL CONSTRUCTION.
- SPEED CONTROLLABLE WITH VSD.
- SQUARE BASE CONNECTION
- FULL COMPLIANCE WITH AUSTRALIAN STANDARDS AIRFLOW TEST TO BS848 PART 1 & NOISE TEST TO BS848 PART 2

DIMENSIONS



PERFORMANCE



SOUND DATA

Model	Octave Band Frequency Lw db (A)								Lw dB (A)	SPL dB (A) @3m
	63	125	250	500	1K	2K	4K	8K		
CRVT400-4D	63	70	74	71	70	67	63	57	75	54

TECHNICAL DATA

Fan Model	RPM	1 Phase KW	240V Amps	3 Phase KW	415V Amps	dba @3M
CRVT400-4D	1400			0.55	1.26	54



ECO DYNAMIC FANS PTY LTD

296 South Gippsland Hwy,
Dandenong South VIC 3175
P: 03 8578 5911
E: sales@ecodynamicfans.com.au
F: 03 8768 8529

www.ecodynamicfans.com.au

ROOF FANS

INLINE FANS

SQUARE & RING PLATE FANS

ACCESSORIES

INDEX



CRVT450-4D

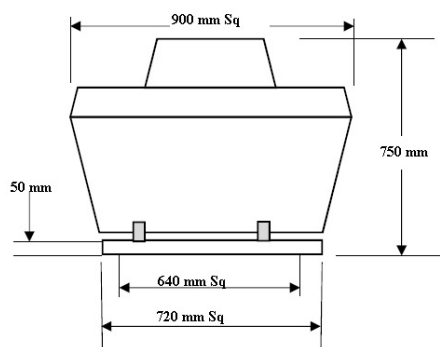
ROOF CENTRIFUGAL FAN TEFC



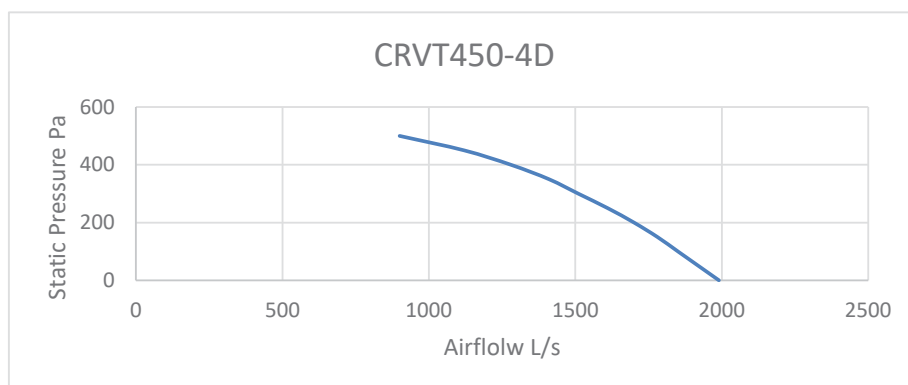
FAN FEATURES

- 450mm ROOF CENTRIFUGAL FAN WITH TEFC MOTOR.
- CAPABLE OF HANDLING UP TO 2000L/S.
- USED FOR COMMERCIAL KITCHEN APPLICATIONS AND GENERAL VENTILATION.
- GALVANIZED STEEL CONSTRUCTION.
- SPEED CONTROLLABLE WITH VSD.
- SQUARE BASE CONNECTION
- FULL COMPLIANCE WITH AUSTRALIAN STANDARDS AIRFLOW TEST TO BS848 PART 1 & NOISE TEST TO BS848 PART 2

DIMENSIONS



PERFORMANCE



SOUND DATA

Model	Octave Band Frequency Lw db (A)								Lw dB (A)	SPL dB (A) @3m
	63	125	250	500	1K	2K	4K	8K		
CRVT450-4D	67	74	78	75	74	71	67	60	79	58

TECHNICAL DATA

Fan Model	RPM	1 Phase KW	240V Amps	3 Phase KW	415V Amps	dba @3M
CRVT450-4D	1400			0.75	1.7	58



ECO DYNAMIC FANS PTY LTD

296 South Gippsland Hwy,
Dandenong South VIC 3175
P: 03 8578 5911
E: sales@ecodynamicfans.com.au
F: 03 8768 8529

www.ecodynamicfans.com.au



CRVT500-4D

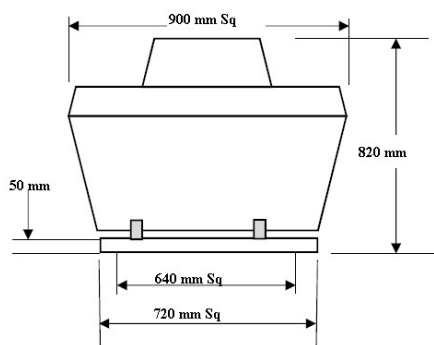
ROOF CENTRIFUGAL FAN TEFC



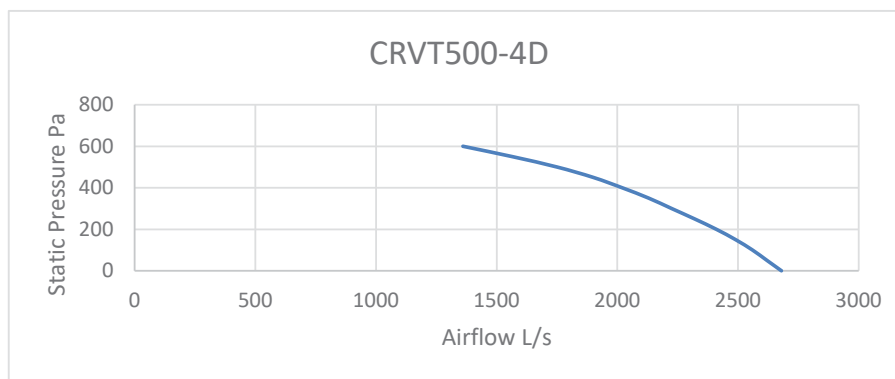
FAN FEATURES

- 500mm ROOF CENTRIFUGAL FAN WITH TEFC MOTOR.
- CAPABLE OF HANDLING UP TO 2700L/S.
- USED FOR COMMERCIAL KITCHEN APPLICATIONS AND GENERAL VENTILATION.
- GALVINIZED STEEL CONSTRUCTION.
- SPEED CONTROLLABLE WITH VSD.
- SQUARE BASE CONNECTION
- FULL COMPLIANCE WITH AUSTRALIAN STANDARDS AIRFLOW TEST TO BS848 PART 1 & NOISE TEST TO BS848 PART 2

DIMENSIONS



PERFORMANCE



SOUND DATA

Model	Octave Band Frequency Lw db (A)								Lw dB (A)	SPL dB (A) @3m
	63	125	250	500	1K	2K	4K	8K		
CRVT500-4D	71	76	81	76	75	72	68	61	80	59

TECHNICAL DATA

Fan Model	RPM	1 Phase KW	240V Amps	3 Phase KW	415V Amps	dba @3M
CRVT500-4D	1400			1.5	3.19	59



ECO DYNAMIC FANS PTY LTD

296 South Gippsland Hwy,
Dandenong South VIC 3175

P: 03 8578 5911

E: sales@ecodynamicfans.com.au

F: 03 8768 8529

www.ecodynamicfans.com.au

ROOF FANS

INLINE FANS

SQUARE & RING PLATE FANS

ACCESSORIES

INDEX



CRVT560-4D

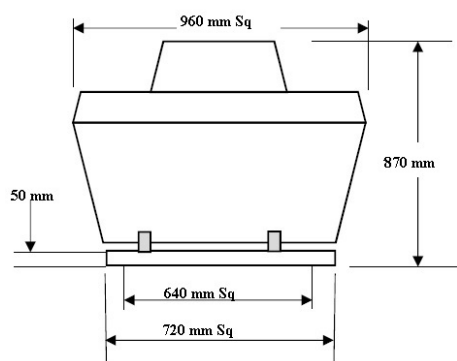
ROOF CENTRIFUGAL FAN TEFC



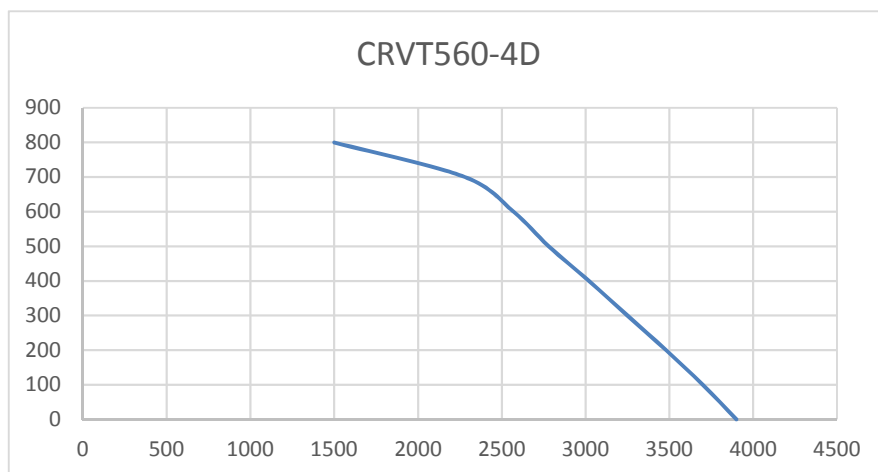
FAN FEATURES

- 560mm ROOF CENTRIFUGAL FAN with TEFC Motor
- CAPABLE OF HANDLING UP TO 3800 L/s.
- USED FOR COMMERCIAL KITCHEN APPLICATIONS AND GENERAL VENTILATION.
- GALVINIZED STEEL CONSTRUCTION.
- SPEED CONTROLLABLE with VSD
- SQUARE FLANGE CONNECTION
- FULL COMPLIANCE WITH AUSTRALIAN STANDARDS AIRFLOW TEST TO BS848 PART 1 & NOISE TEST TO BS848 PART 2

DIMENSIONS



PERFORMANCE



SOUND DATA

Model	Octave Band Frequency Lw db (A)								Lw dB (A)	SPL dB (A) @3m
	63	125	250	500	1K	2K	4K	8K		
CRVT560-4D	74	81	84	80	80	77	73	66	85	64

TECHNICAL DATA

Fan Model	RPM	1 Phase KW	240V Amps	3 Phase KW	415V Amps	dba @3M
CRVT560-4D	1440			3.0	5.9	64



ECO DYNAMIC FANS PTY LTD

296 South Gippsland Hwy,
Dandenong South VIC 3175
P: 03 8578 5911
E: sales@ecodynamicfans.com.au
F: 03 8768 8529

www.ecodynamicfans.com.au



CRVT630-6D

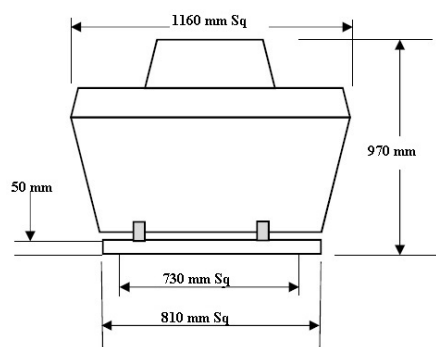
ROOF CENTRIFUGAL FAN TEFC



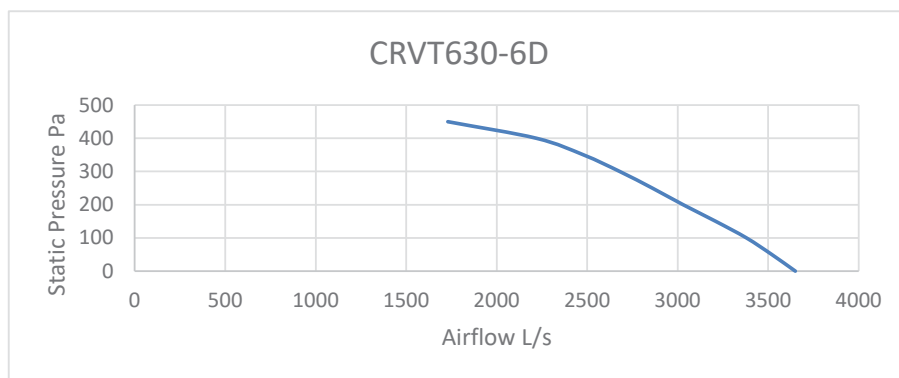
FAN FEATURES

- 630mm ROOF CENTRIFUGAL FAN WITH TEFC MOTOR.
- CAPABLE OF HANDLING UP TO 3600L/S.
- USED FOR COMMERCIAL KITCHEN APPLICATIONS AND GENERAL VENTILATION.
- GALVANIZED STEEL CONSTRUCTION.
- SPEED CONTROLLABLE WITH VSD.
- SQUARE BASE CONNECTION
- FULL COMPLIANCE WITH AUSTRALIAN STANDARDS AIRFLOW TEST TO BS848 PART 1 & NOISE TEST TO BS848 PART 2

DIMENSIONS



PERFORMANCE



SOUND DATA

Model	Octave Band Frequency Lw db (A)								Lw dB (A)	SPL dB (A) @3m
	63	125	250	500	1K	2K	4K	8K		
CRVT630-6D	72	78	83	75	75	74	69	62	81	60

TECHNICAL DATA

Fan Model	RPM	1 Phase KW	240V Amps	3 Phase KW	415V Amps	dba @3M
CRVT630-6D	960			2.2	4.83	60



ECO DYNAMIC FANS PTY LTD

296 South Gippsland Hwy,
Dandenong South VIC 3175
P: 03 8578 5911

E: sales@ecodynamicfans.com.au
F: 03 8768 8529

www.ecodynamicfans.com.au

ROOF FANS

INLINE FANS

SQUARE & RING PLATE FANS

ACCESSORIES

INDEX



CRVT710-6D

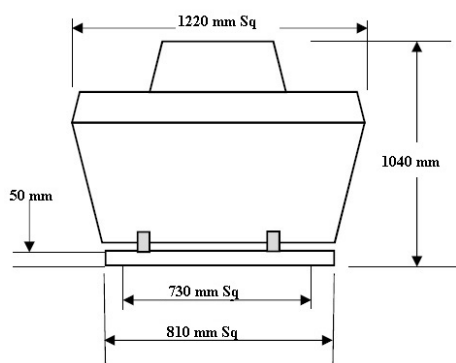
ROOF CENTRIFUGAL FAN TEFC



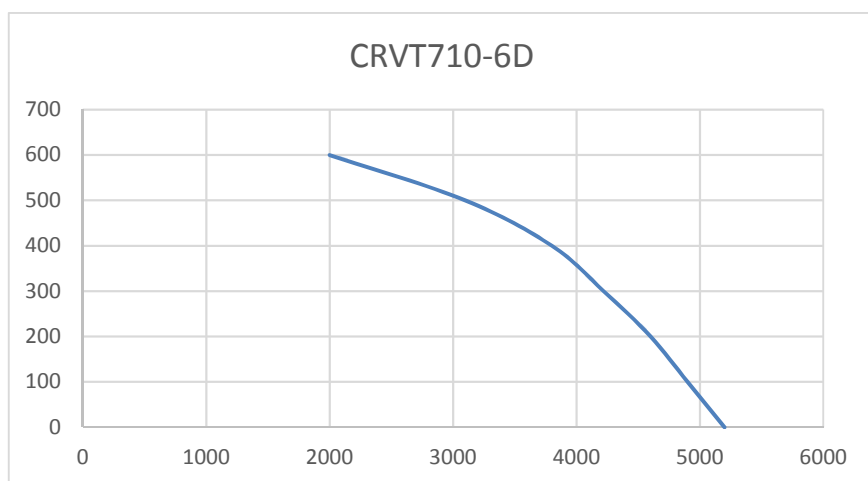
FAN FEATURES

- 710mm ROOF CENTRIFUGAL FAN with TEFC Motor
- CAPABLE OF HANDLING UP TO 5000 L/s.
- USED FOR COMMERCIAL KITCHEN APPLICATIONS AND GENERAL VENTILATION.
- GALVINIZED STEEL CONSTRUCTION.
- SPEED CONTROLLABLE with VSD
- SQUARE FLANGE CONNECTION
- FULL COMPLIANCE WITH AUSTRALIAN STANDARDS AIRFLOW TEST TO BS848 PART 1 & NOISE TEST TO BS848 PART 2

DIMENSIONS



PERFORMANCE



SOUND DATA

Model	Octave Band Frequency Lw db (A)								Lw dB (A)	SPL dB (A) @3m
	63	125	250	500	1K	2K	4K	8K		
CRVT710-6D	81	85	79	79	81	72	66	59	83	62

TECHNICAL DATA

Fan Model	RPM	1 Phase KW	240V Amps	3 Phase KW	415V Amps	dba @3M
CRVT710-6D	960			3.0	6.47	62



**ECO DYNAMIC
FANS PTY LTD**

296 South Gippsland Hwy,
Dandenong South VIC 3175
P: 03 8578 5911
E: sales@ecodynamicfans.com.au
F: 03 8768 8529

www.ecodynamicfans.com.au



CRD150-2E

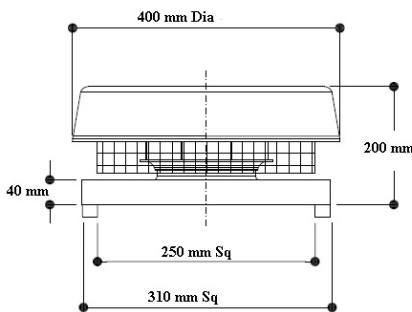
ROOF CENTRIFUGAL DOWNFLOW DISCHARGE FAN



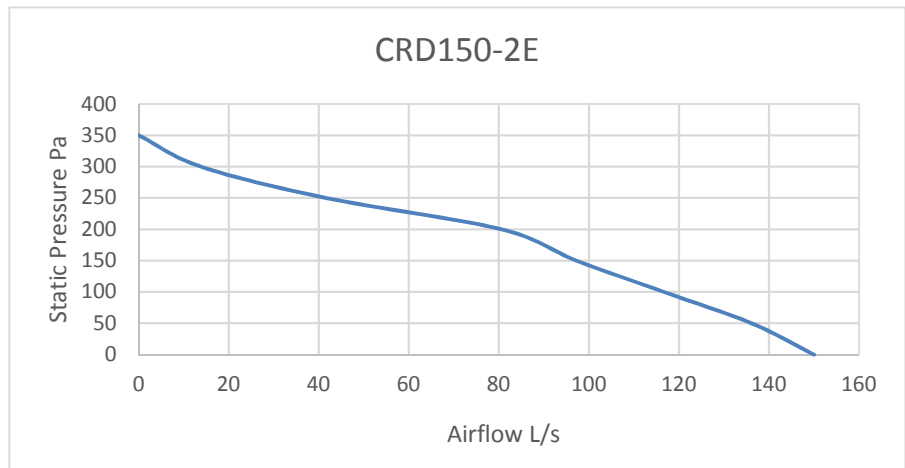
FAN FEATURES

- ROOF MOUNTED DOWNFLOW DISCHARGE FAN.
- CAPABLE OF HANDLING UP TO 150 L/s.
- USED FOR FOOD VANS APPLICATIONS AND GENERAL VENTILATION.
- ALL METAL CONSTRUCTION.
- WEATHER PROOF DESIGN.
- SPEED CONTROLLABLE.
- EASY TO MAINTAIN
- SQUARE BASE CONNECTION
- FULL COMPLIANCE WITH AUSTRALIAN STANDARDS AIRFLOW TEST TO BS848 PART 1 & NOISE TEST TO BS848 PART 2

DIMENSIONS



PERFORMANCE



SOUND DATA

Model	Octave Band Frequency Lw db (A)								Lw dB (A)	SPL dB (A) @3m
	63	125	250	500	1K	2K	4K	8K		
CRD150-2E	31	40	47	43	60	66	56	50	68	47

TECHNICAL DATA

Fan Model	RPM	1 Phase KW	240V Amps	3 Phase KW	415V Amps	dba @3M
CRD150-2E	2630	0.08	0.35			47



ECO DYNAMIC FANS PTY LTD

www.ecodynamicfans.com.au

296 South Gippsland Hwy,
Dandenong South VIC 3175

P: 03 8578 5911

E: sales@ecodynamicfans.com.au

F: 03 8768 8529

ROOF FANS

INLINE FANS

SQUARE & RING PLATE FANS

ACCESSORIES

INDEX



CRD150-4E

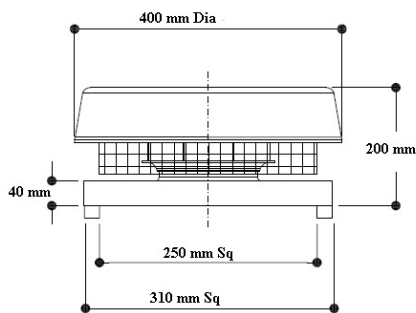
ROOF CENTRIFUGAL DOWNFLOW DISCHARGE FAN



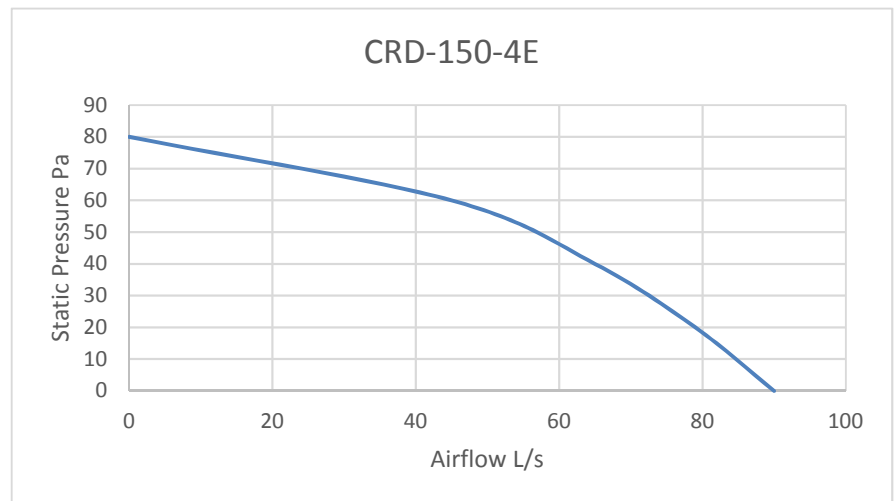
FAN FEATURES

- ROOF MOUNTED DOWNFLOW DISCHARGE FAN.
- CAPABLE OF HANDLING UP TO 90L/s.
- USED FOR FOOD VANS APPLICATIONS AND GENERAL VENTILATION.
- ALL METAL CONSTRUCTION.
- WEATHER PROOF DESIGN.
- SPEED CONTROLLABLE.
- EASY TO MAINTAIN
- SQUARE BASE CONNECTION
- FULL COMPLIANCE WITH AUSTRALIAN STANDARDS AIRFLOW TEST TO BS848 PART 1 & NOISE TEST TO BS848 PART 2

DIMENSIONS



PERFORMANCE



SOUND DATA

Model	Octave Band Frequency Lw db (A)								Lw dB (A)	SPL dB (A) @3m
	63	125	250	500	1K	2K	4K	8K		
CRD150-4E	21	30	37	43	50	56	46	40	57	36

TECHNICAL DATA

Fan Model	RPM	1 Phase KW	240V Amps	3 Phase KW	415V Amps	dba @3M
CRD150-4E	1400	0.08	0.35			36



**ECO DYNAMIC
FANS PTY LTD**

www.ecodynamicfans.com.au

296 South Gippsland Hwy,
Dandenong South VIC 3175

P: 03 8578 5911

E: sales@ecodynamicfans.com.au

F: 03 8768 8529



CRD200-2E

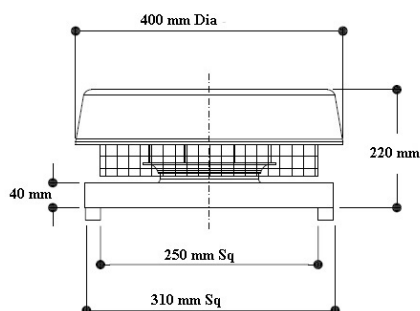
ROOF CENTRIFUGAL DOWNFLOW DISCHARGE FAN



FAN FEATURES

- ROOF MOUNTED DOWNFLOW DISCHARGE FAN.
- CAPABLE OF HANDLING UP TO 300 L/s.
- USED FOR FOOD VANS APPLICATIONS AND GENERAL VENTILATION.
- ALL METAL CONSTRUCTION.
- WEATHER PROOF DESIGN.
- SPEED CONTROLLABLE.
- EASY TO MAINTAIN
- SQUARE BASE CONNECTION
- FULL COMPLIANCE WITH AUSTRALIAN STANDARDS AIRFLOW TEST TO BS848 PART 1 & NOISE TEST TO BS848 PART 2

DIMENSIONS



PERFORMANCE



SOUND DATA

Model	Octave Band Frequency Lw db (A)								Lw dB (A)	SPL dB (A) @3m
	63	125	250	500	1K	2K	4K	8K		
CRD200-2E	18	39	54	65	71	71	67	60	75	54

TECHNICAL DATA

Fan Model	RPM	1 Phase KW	240V Amps	3 Phase KW	415V Amps	dba @3M
CRD200-2E	2680	0.15	0.8			54



ECO DYNAMIC FANS PTY LTD

www.ecodynamicfans.com.au

296 South Gippsland Hwy,
Dandenong South VIC 3175
P: 03 8578 5911

E: sales@ecodynamicfans.com.au
F: 03 8768 8529

ROOF FANS

INLINE FANS

SQUARE & RING PLATE FANS

ACCESSORIES

INDEX



CRD200-4E

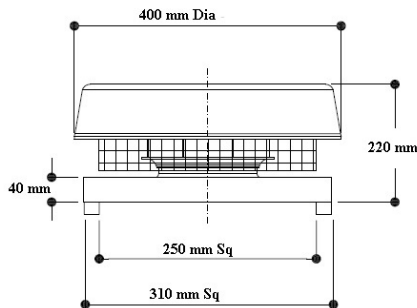
ROOF CENTRIFUGAL DOWNFLOW DISCHARGE FAN



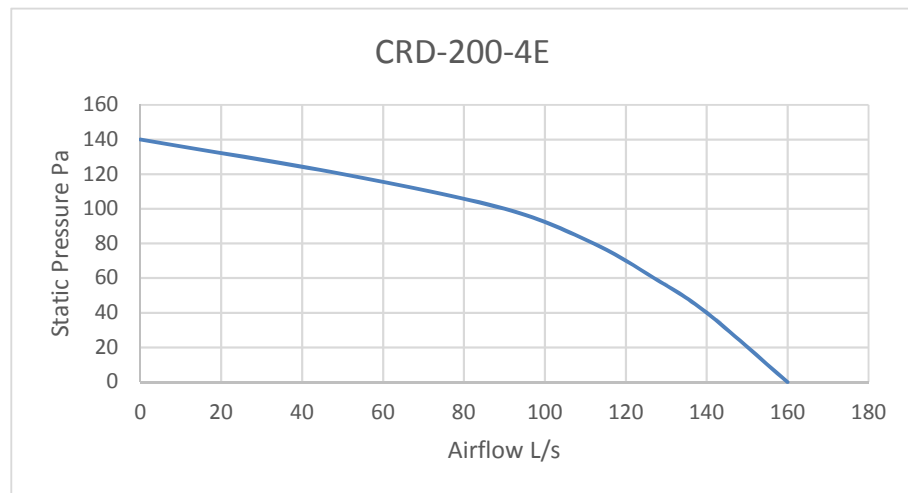
FAN FEATURES

- ROOF MOUNTED DOWNFLOW DISCHARGE FAN.
- CAPABLE OF HANDLING UP TO 160 L/s.
- USED FOR FOOD VANS APPLICATIONS AND GENERAL VENTILATION.
- ALL METAL CONSTRUCTION.
- WEATHER PROOF DESIGN.
- SPEED CONTROLLABLE.
- EASY TO MAINTAIN
- SQUARE BASE CONNECTION
- FULL COMPLIANCE WITH AUSTRALIAN STANDARDS AIRFLOW TEST TO BS848 PART 1 & NOISE TEST TO BS848 PART 2

DIMENSIONS



PERFORMANCE



SOUND DATA

Model	Octave Band Frequency Lw db (A)								Lw dB (A)	SPL dB (A) @3m
	63	125	250	500	1K	2K	4K	8K		
CRD200-4E	21	38	48	54	51	46	46	56	59	38

TECHNICAL DATA

Fan Model	RPM	1 Phase KW	240V Amps	3 Phase KW	415V Amps	dba @3M
CRD200-4E	1400	0.15	0.8			38



ECO DYNAMIC FANS PTY LTD

www.ecodynamicfans.com.au

296 South Gippsland Hwy,
Dandenong South VIC 3175

P: 03 8578 5911

E: sales@ecodynamicfans.com.au

F: 03 8768 8529



CRD250-2E

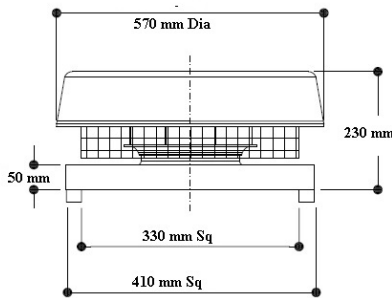
ROOF CENTRIFUGAL DOWNFLOW DISCHARGE FAN



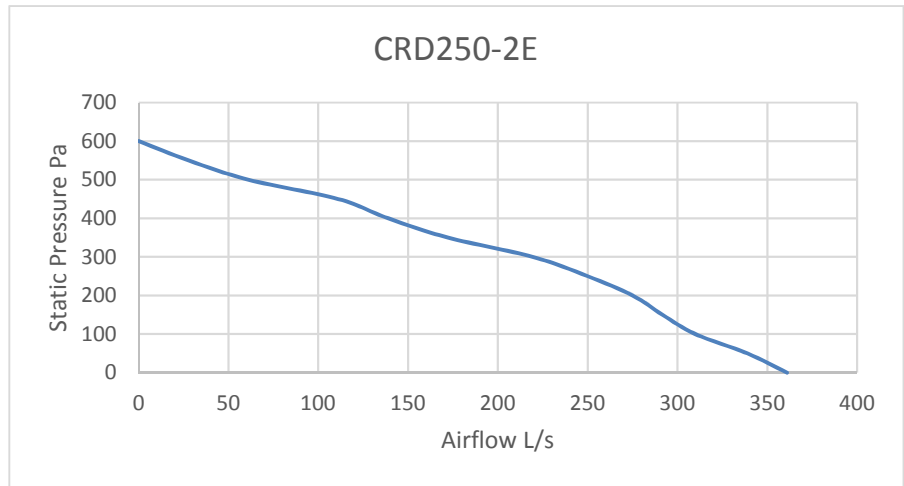
FAN FEATURES

- ROOF MOUNTED DOWNFLOW DISCHARGE FAN.
- CAPABLE OF HANDLING UP TO 350 L/s.
- USED FOR FOOD VANS APPLICATIONS AND GENERAL VENTILATION.
- ALL METAL CONSTRUCTION.
- WEATHER PROOF DESIGN.
- SPEED CONTROLLABLE.
- EASY TO MAINTAIN
- SQUARE BASE CONNECTION
- FULL COMPLIANCE WITH AUSTRALIAN STANDARDS AIRFLOW TEST TO BS848 PART 1 & NOISE TEST TO BS848 PART 2

DIMENSIONS



PERFORMANCE



SOUND DATA

Model	Octave Band Frequency Lw db (A)								Lw dB (A)	SPL dB (A) @3m
	63	125	250	500	1K	2K	4K	8K		
CRD250-2E	23	38	51	67	73	75	69	59	78	57

TECHNICAL DATA

Fan Model	RPM	1 Phase KW	240V Amps	3 Phase KW	415V Amps	dba @3M
CRD250-2E	2550	0.17	0.8			57



ECO DYNAMIC FANS PTY LTD

www.ecodynamicfans.com.au

296 South Gippsland Hwy,
Dandenong South VIC 3175
P: 03 8578 5911
E: sales@ecodynamicfans.com.au
F: 03 8768 8529

ROOF FANS

INLINE FANS

SQUARE & RING PLATE FANS

ACCESSORIES

INDEX



CRD250-4E

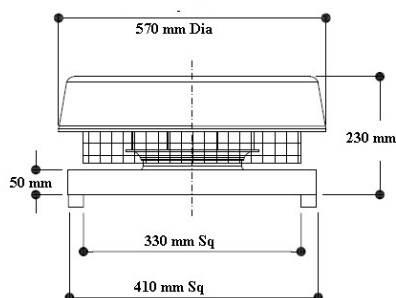
ROOF CENTRIFUGAL DOWNFLOW DISCHARGE FAN



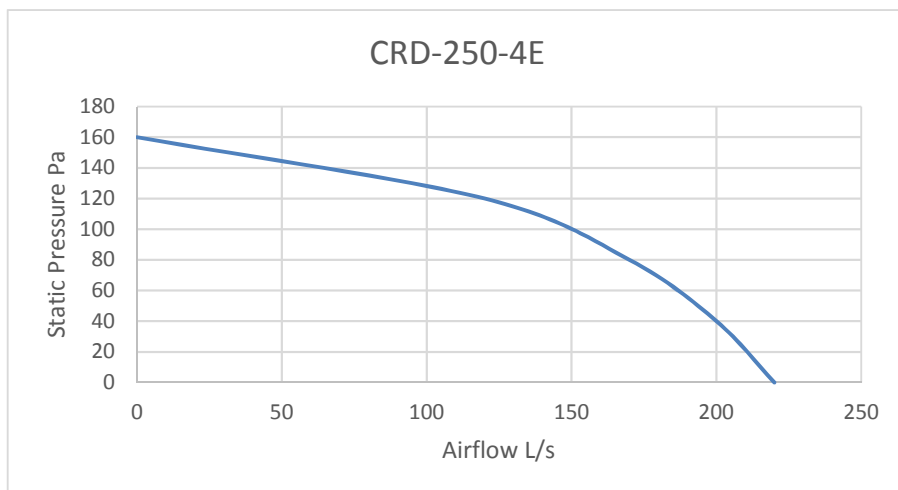
FAN FEATURES

- ROOF MOUNTED DOWNFLOW DISCHARGE FAN.
- CAPABLE OF HANDLING UP TO 220 L/s.
- USED FOR FOOD VANS APPLICATIONS AND GENERAL VENTILATION.
- ALL METAL CONSTRUCTION.
- WEATHER PROOF DESIGN.
- SPEED CONTROLLABLE.
- EASY TO MAINTAIN
- SQUARE BASE CONNECTION & Available in ROUND BASE
- FULL COMPLIANCE WITH AUSTRALIAN STANDARDS AIRFLOW TEST TO BS848 PART 1 & NOISE TEST TO BS848 PART 2

DIMENSIONS



PERFORMANCE



SOUND DATA

Model	Octave Band Frequency Lw db (A)								Lw dB (A)	SPL dB (A) @3m
	63	125	250	500	1K	2K	4K	8K		
CRD250-4E	24	36	38	55	53	49	49	56	61	40

TECHNICAL DATA

Fan Model	RPM	1 Phase KW	240V Amps	3 Phase KW	415V Amps	dba @3M
CRD250-4E	1440	0.17	0.8			40



**ECO DYNAMIC
FANS PTY LTD**

www.ecodynamicfans.com.au

296 South Gippsland Hwy,
Dandenong South VIC 3175
P: 03 8578 5911

E: sales@ecodynamicfans.com.au
F: 03 8768 8529



CRD310-4E

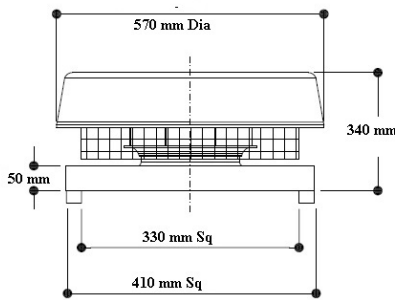
ROOF CENTRIFUGAL DOWNFLOW DISCHARGE FAN



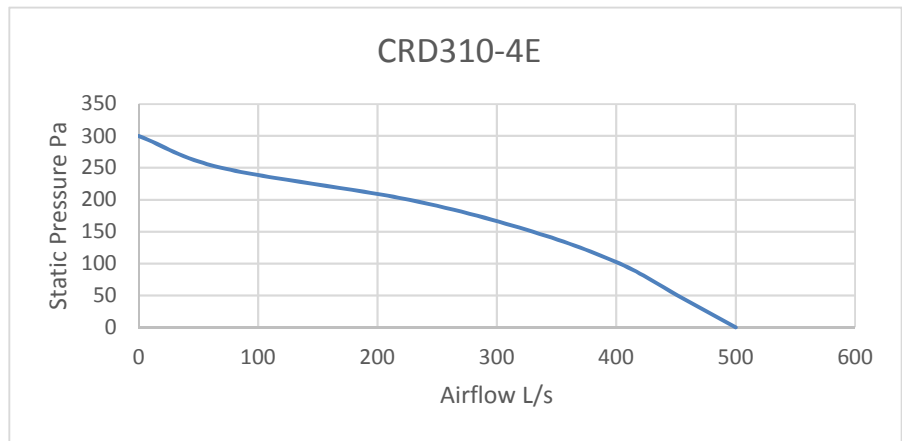
FAN FEATURES

- ROOF MOUNTED DOWNFLOW DISCHARGE FAN.
- CAPABLE OF HANDLING UP TO 500 L/s.
- USED FOR FOOD VANS APPLICATIONS AND GENERAL VENTILATION.
- ALL METAL CONSTRUCTION.
- WEATHER PROOF DESIGN.
- SPEED CONTROLLABLE.
- EASY TO MAINTAIN
- SQUARE BASE CONNECTION
- FULL COMPLIANCE WITH AUSTRALIAN STANDARDS AIRFLOW TEST TO BS848 PART 1 & NOISE TEST TO BS848 PART 2

DIMENSIONS



PERFORMANCE



SOUND DATA

Model	Octave Band Frequency Lw db (A)								Lw dB (A)	SPL dB (A) @3m
	63	125	250	500	1K	2K	4K	8K		
CRD310-4E	27	51	55	65	67	54	58	51	69	48

TECHNICAL DATA

Fan Model	RPM	1 Phase KW	240V Amps	3 Phase KW	415V Amps	dba @3M
CRD310-4E	1390	0.12	0.55			48



ECO DYNAMIC FANS PTY LTD

296 South Gippsland Hwy,
Dandenong South VIC 3175

P: 03 8578 5911

E: sales@ecodynamicfans.com.au

F: 03 8768 8529

www.ecodynamicfans.com.au



CRD355-4E

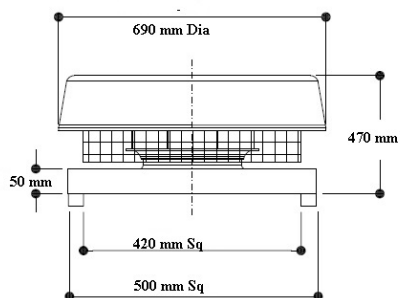
ROOF CENTRIFUGAL VERTICAL DISCHARGE FAN



FAN FEATURES

- ROOF MOUNTED DOWNFLOW DISCHARGE FAN.
- CAPABLE OF HANDLING UP TO 700 L/s.
- USED FOR FOOD VANS , COMMERCIAL KITCHEN APPLICATIONS AND GENERAL VENTILATION.
- EASY TO MAINTAIN
- GALVINIZED STEEL CONSTRUCTION.
- SPEED CONTROLLABLE.
- SQUARE BASE CONNECTION
- FULL COMPLIANCE WITH AUSTRALIAN STANDARDS AIRFLOW TEST TO BS848 PART 1 & NOISE TEST TO BS848 PART 2

DIMENSIONS



PERFORMANCE



SOUND DATA

Model	Octave Band Frequency Lw db (A)								Lw dB (A)	SPL dB (A) @3m
	63	125	250	500	1K	2K	4K	8K		
CRD355-4E	24	48	53	67	69	67	63	49	73	52

TECHNICAL DATA

Fan Model	RPM	1 Phase KW	240V Amps	3 Phase KW	415V Amps	dba @3M
CRD355-4E	1400	0.2	1.0			52



ECO DYNAMIC FANS PTY LTD

296 South Gippsland Hwy,
Dandenong South VIC 3175
P: 03 8578 5911

E: sales@ecodynamicfans.com.au
F: 03 8768 8529

www.ecodynamicfans.com.au



CRDR150-2E

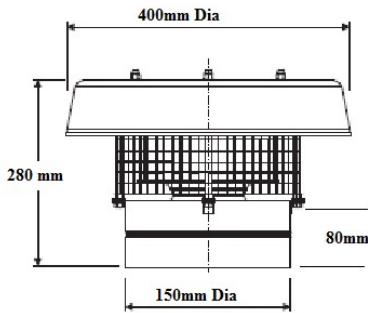
ROOF CENTRIFUGAL DOWNFLOW DISCHARGE FAN

PHOTO
COMING
SOON

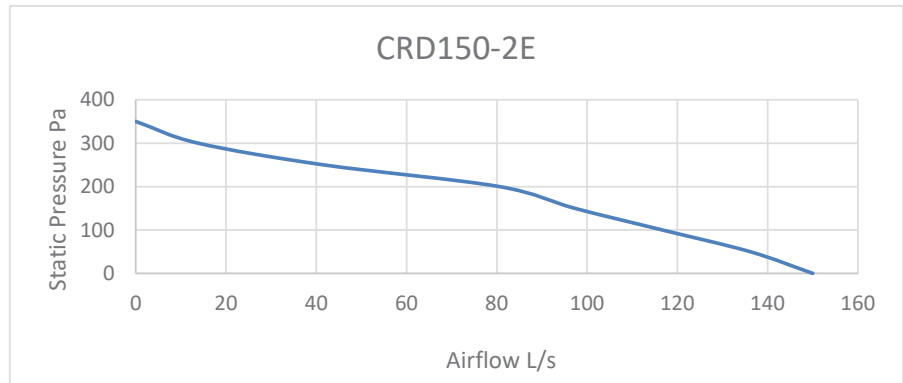
FAN FEATURES

- ROOF MOUNTED DOWNFLOW DISCHARGE FAN
- CAPABLE OF HANDLING UP TO 150L/S
- USED FOR FOOD VAN APPLICATIONS AND GENERAL VENTILATION
- ALL METAL CONSTRUCTION
- WEATHER PROOF DESIGN
- SPEED CONTROLLABLE.
- EASY TO MAINTAIN
- ROUND BASE CONNECTION
- FULL COMPLIANCE WITH AUSTRALIAN STANDARDS AIRFLOW TEST TO BS848 PART 1 & NOISE TEST TO BS848 PART 2

DIMENSIONS



PERFORMANCE



SOUND DATA

Model	Octave Band Frequency Lw db (A)								Lw dB (A)	SPL dB (A) @3m
	63	125	250	500	1K	2K	4K	8K		
CRDR150-2E	16	33	47	57	64	70	60	54	71	50

TECHNICAL DATA

Fan Model	RPM	1 Phase KW	240V Amps	3 Phase KW	415V Amps	dba @3M
CRDR150-2E	3150	0.6	0.5			50



**ECO DYNAMIC
FANS PTY LTD**

296 South Gippsland Hwy,
Dandenong South VIC 3175
P: 03 8578 5911

E: sales@ecodynamicfans.com.au
F: 03 8768 8529

www.ecodynamicfans.com.au

ROOF FANS

INLINE FANS

SQUARE & RING PLATE FANS

ACCESSORIES

INDEX



CRDR150-4E

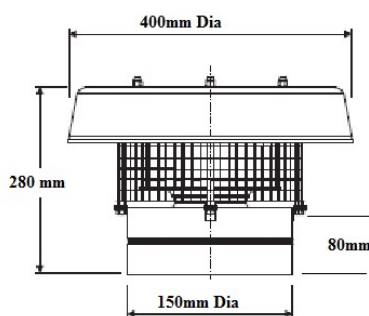
ROOF CENTRIFUGAL DOWNFLOW DISCHARGE FAN

PHOTO
COMING
SOON

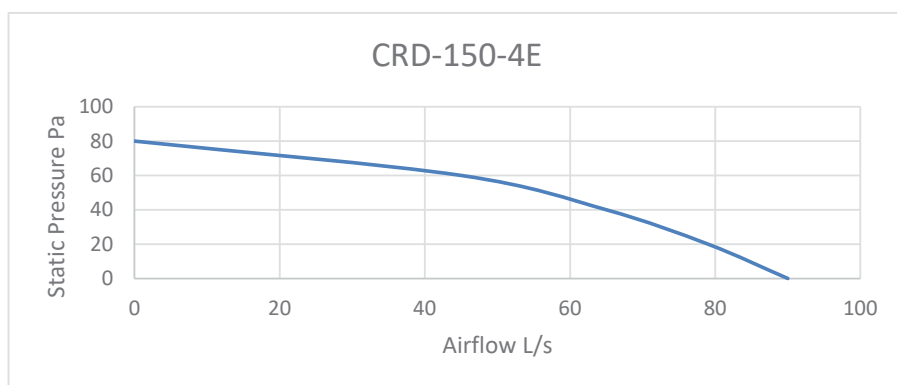
FAN FEATURES

- ROOF MOUNTED DOWNFLOW DISCHARGE FAN
- CAPABLE OF HANDLING UP TO 150L/S
- USED FOR FOOD VAN APPLICATIONS AND GENERAL VENTILATION
- ALL METAL CONSTRUCTION
- WEATHER PROOF DESIGN
- SPEED CONTROLLABLE.
- EASY TO MAINTAIN
- ROUND BASE CONNECTION
- FULL COMPLIANCE WITH AUSTRALIAN STANDARDS AIRFLOW TEST TO BS848 PART 1 & NOISE TEST TO BS848 PART 2

DIMENSIONS



PERFORMANCE



SOUND DATA

Model	Octave Band Frequency Lw db (A)								Lw dB (A)	SPL dB (A) @3m
	63	125	250	500	1K	2K	4K	8K		
CRDR150-4E	21	30	37	43	50	56	46	40	57	36

TECHNICAL DATA

Fan Model	RPM	1 Phase KW	240V Amps	3 Phase KW	415V Amps	dba @3M
CRDR150-4E	1400	0.05	0.24			36



ECO DYNAMIC
FANS PTY LTD

www.ecodynamicfans.com.au

296 South Gippsland Hwy,
Dandenong South VIC 3175
P: 03 8578 5911
E: sales@ecodynamicfans.com.au
F: 03 8768 8529



CRDR200-2E

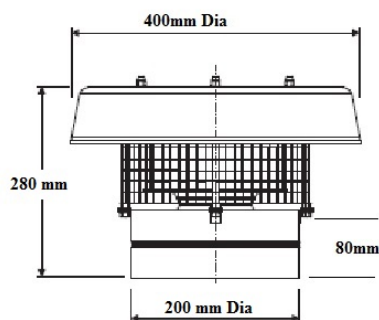
ROOF CENTRIFUGAL DOWNFLOW DISCHARGE FAN

PHOTO
COMING
SOON

FAN FEATURES

- ROOF MOUNTED DOWNFLOW DISCHARGE FAN
- CAPABLE OF HANDLING UP TO 300L/S
- USED FOR FOOD VAN APPLICATIONS AND GENERAL VENTILATION
- ALL METAL CONSTRUCTION
- WEATHER PROOF DESIGN
- SPEED CONTROLLABLE.
- EASY TO MAINTAIN
- ROUND BASE CONNECTION
- FULL COMPLIANCE WITH AUSTRALIAN STANDARDS AIRFLOW TEST TO BS848 PART 1 & NOISE TEST TO BS848 PART 2

DIMENSIONS



PERFORMANCE



SOUND DATA

Model	Octave Band Frequency Lw db (A)								Lw dB (A)	SPL dB (A) @3m
	63	125	250	500	1K	2K	4K	8K		
CRDR200-2E	18	39	54	65	71	71	67	60	75	54

TECHNICAL DATA

Fan Model	RPM	1 Phase KW	240V Amps	3 Phase KW	415V Amps	dba @3M
CRDR200-2E	3140	0.15	1			54



**ECO DYNAMIC
FANS PTY LTD**

www.ecodynamicfans.com.au

296 South Gippsland Hwy,
Dandenong South VIC 3175
P: 03 8578 5911
E: sales@ecodynamicfans.com.au
F: 03 8768 8529

ROOF FANS

INLINE FANS

SQUARE & RING PLATE FANS

ACCESSORIES

INDEX



CRDR200-4E

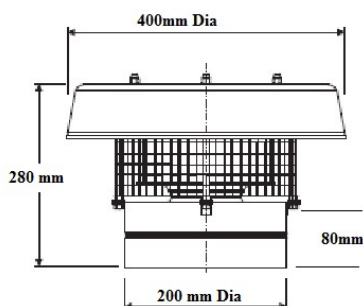
ROOF CENTRIFUGAL DOWNFLOW DISCHARGE FAN

PHOTO
COMING
SOON

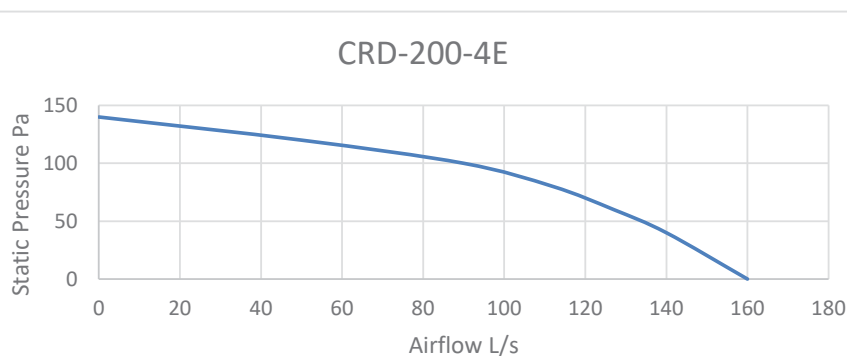
FAN FEATURES

- ROOF MOUNTED DOWNFLOW DISCHARGE FAN
- CAPABLE OF HANDLING UP TO 160L/S
- USED FOR FOOD VAN APPLICATIONS AND GENERAL VENTILATION
- ALL METAL CONSTRUCTION
- WEATHER PROOF DESIGN
- SPEED CONTROLLABLE.
- EASY TO MAINTAIN
- ROUND BASE CONNECTION
- FULL COMPLIANCE WITH AUSTRALIAN STANDARDS AIRFLOW TEST TO BS848 PART 1 & NOISE TEST TO BS848 PART 2

DIMENSIONS



PERFORMANCE



SOUND DATA

Model	Octave Band Frequency Lw db (A)								Lw dB (A)	SPL dB (A) @3m
	63	125	250	500	1K	2K	4K	8K		
CRDR200-4E	22	41	50	56	53	48	48	56	61	40

TECHNICAL DATA

Fan Model	RPM	1 Phase KW	240V Amps	3 Phase KW	415V Amps	dba @3M
CRDR200-4E	1020	0.15	1			40



**ECO DYNAMIC
FANS PTY LTD**

www.ecodynamicfans.com.au

296 South Gippsland Hwy,
Dandenong South VIC 3175
P: 03 8578 5911
E: sales@ecodynamicfans.com.au
F: 03 8768 8529



CRDR250-2E

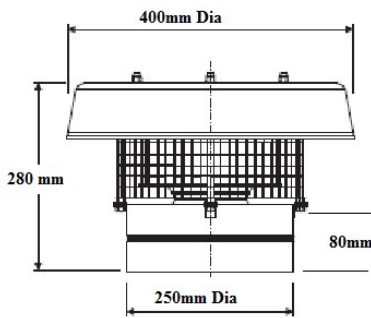
ROOF CENTRIFUGAL DOWNFLOW DISCHARGE FAN

PHOTO
COMING
SOON

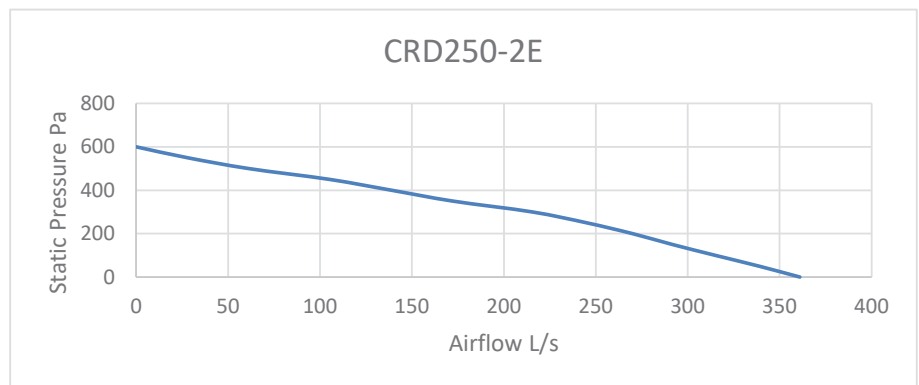
FAN FEATURES

- ROOF MOUNTED DOWNFLOW DISCHARGE FAN
- CAPABLE OF HANDLING UP TO 350L/S
- USED FOR FOOD VAN APPLICATIONS AND GENERAL VENTILATION
- ALL METAL CONSTRUCTION
- WEATHER PROOF DESIGN
- SPEED CONTROLLABLE.
- EASY TO MAINTAIN
- ROUND BASE CONNECTION
- FULL COMPLIANCE WITH AUSTRALIAN STANDARDS AIRFLOW TEST TO BS848 PART 1 & NOISE TEST TO BS848 PART 2

DIMENSIONS



PERFORMANCE



SOUND DATA

Model	Octave Band Frequency Lw db (A)								Lw dB (A)	SPL dB (A) @3m
	63	125	250	500	1K	2K	4K	8K		
CRDR250-2E	23	38	51	67	73	75	69	59	78	57

TECHNICAL DATA

Fan Model	RPM	1 Phase KW	240V Amps	3 Phase KW	415V Amps	dba @3M
CRDR250-2E	2900	0.19	1.35			57



ECO DYNAMIC FANS PTY LTD

296 South Gippsland Hwy,
Dandenong South VIC 3175

P: 03 8578 5911

E: sales@ecodynamicfans.com.au

F: 03 8768 8529

www.ecodynamicfans.com.au

ROOF FANS

INLINE FANS

SQUARE & RING PLATE FANS

ACCESSORIES

INDEX



CRDR250-4E

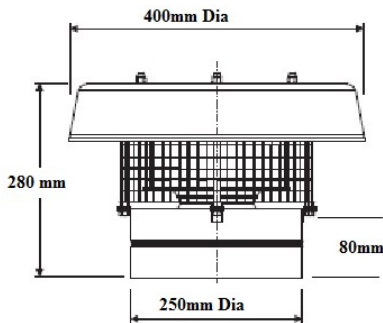
(SPACE FOR TAGLINE/ INFORMATION ABOUT TYPE OF FAN)

PHOTO
COMING
SOON

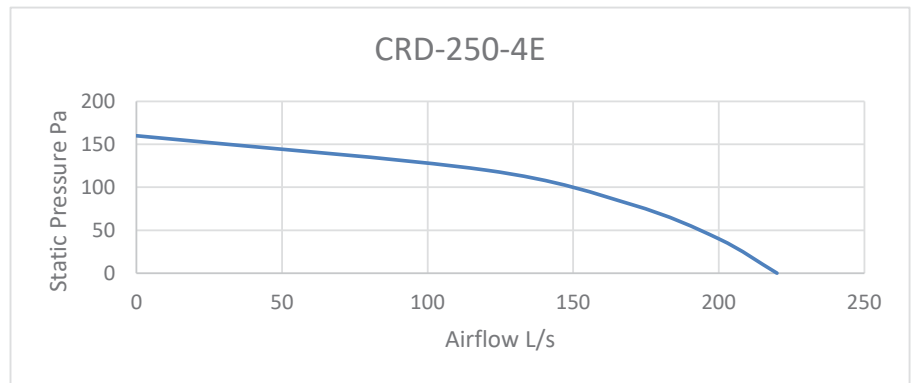
FAN FEATURES

- ROOF MOUNTED DOWNFLOW DISCHARGE FAN
- CAPABLE OF HANDLING UP TO 220L/S
- USED FOR FOOD VAN APPLICATIONS AND GENERAL VENTILATION
- ALL METAL CONSTRUCTION
- WEATHER PROOF DESIGN
- SPEED CONTROLLABLE.
- EASY TO MAINTAIN
- ROUND BASE CONNECTION
- FULL COMPLIANCE WITH AUSTRALIAN STANDARDS AIRFLOW TEST TO BS848 PART 1 & NOISE TEST TO BS848 PART 2

DIMENSIONS



PERFORMANCE



SOUND DATA

Model	Octave Band Frequency Lw db (A)								Lw dB (A)	SPL dB (A) @3m
	63	125	250	500	1K	2K	4K	8K		
CRDR250-4E	24	36	38	55	53	49	49	56	61	40

TECHNICAL DATA

Fan Model	RPM	1 Phase KW	240V Amps	3 Phase KW	415V Amps	dba @3M
CRDR250-4E	1440	0.19	1.35			40



**ECO DYNAMIC
FANS PTY LTD**

www.ecodynamicfans.com.au

296 South Gippsland Hwy,
Dandenong South VIC 3175
P: 03 8578 5911
E: sales@ecodynamicfans.com.au
F: 03 8768 8529



CRDS310-4E

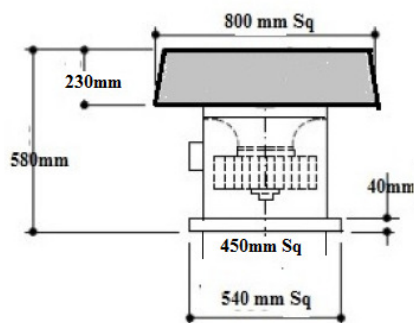
ROOF CENTRIFUGAL FAN

FAN FEATURES

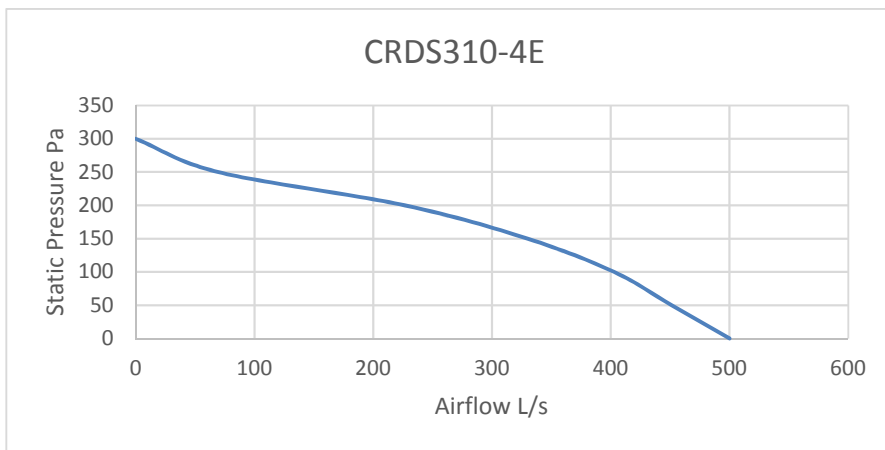


- MAINLY USED FOR SUPPLY AIR.
- CAPABLE OF HANDLING UP TO 500 L/s.
- USED FOR GENERAL VENTILATION.
- ALL METAL CONSTRUCTION.
- WEATHER PROOF DESIGN.
- SPEED CONTROLLABLE.
- EASY TO MAINTAIN
- SQUARE BASE CONNECTION
- FULL COMPLIANCE WITH AUSTRALIAN STANDARDS AIRFLOW TEST TO BS848 PART 1 & NOISE TEST TO BS848 PART 2

DIMENSIONS



PERFORMANCE



SOUND DATA

Model	Octave Band Frequency Lw db (A)								Lw dB (A)	SPL dB (A) @3m
	63	125	250	500	1K	2K	4K	8K		
CRDS310-4E	27	51	55	65	67	54	58	51	69	48

TECHNICAL DATA

Fan Model	RPM	1 Phase KW	240V Amps	3 Phase KW	415V Amps	dba @3M
CRDS310-4E	1390	0.12	0.55			48



ECO DYNAMIC FANS PTY LTD

296 South Gippsland Hwy,
Dandenong South VIC 3175
P: 03 8578 5911

E: sales@ecodynamicfans.com.au
F: 03 8768 8529

www.ecodynamicfans.com.au



CRDS355-4E

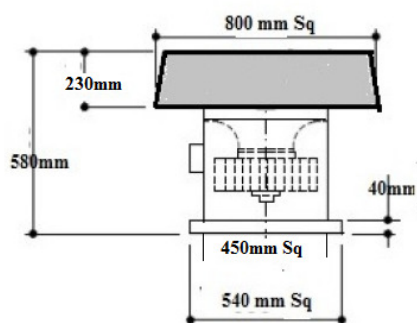
ROOF CENTRIFUGAL FAN



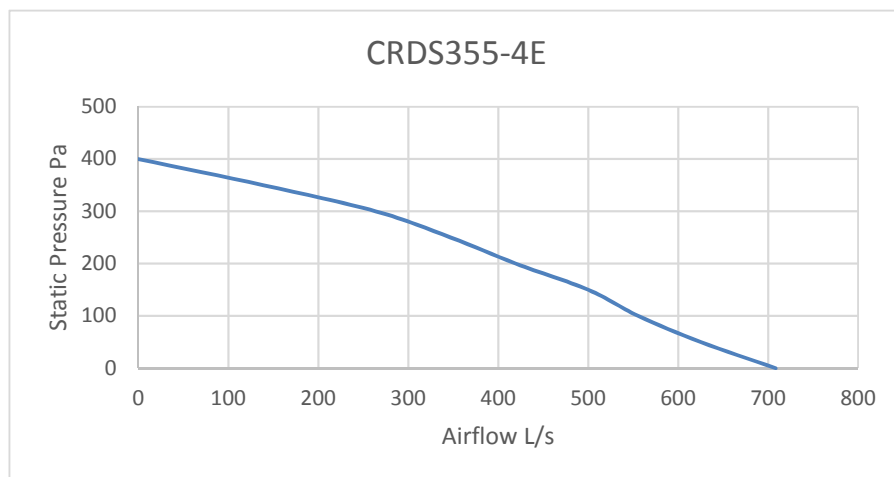
FAN FEATURES

- MAINLY USED FOR SUPPLY AIR.
- CAPABLE OF HANDLING UP TO 700 L/s.
- USED FOR GENERAL VENTILATION.
- ALL METAL CONSTRUCTION.
- WEATHER PROOF DESIGN.
- SPEED CONTROLLABLE.
- EASY TO MAINTAIN
- SQUARE BASE CONNECTION
- FULL COMPLIANCE WITH AUSTRALIAN STANDARDS AIRFLOW TEST TO BS848 PART 1 & NOISE TEST TO BS848 PART 2

DIMENSIONS



PERFORMANCE



SOUND DATA

Model	Octave Band Frequency Lw db (A)								Lw dB (A)	SPL dB (A) @3m
	63	125	250	500	1K	2K	4K	8K		
CRDS355-4E	24	48	53	67	69	67	63	49	73	52

TECHNICAL DATA

Fan Model	RPM	1 Phase KW	240V Amps	3 Phase KW	415V Amps	dba @3M
CRDS355-4E	1400	0.2	1.0			52



**ECO DYNAMIC
FANS PTY LTD**

296 South Gippsland Hwy,
Dandenong South VIC 3175
P: 03 8578 5911
E: sales@ecodynamicfans.com.au
F: 03 8768 8529

www.ecodynamicfans.com.au



CRDS400-4/6D

ROOF CENTRIFUGAL FAN

ROOF FANS

INLINE FANS

SQUARE & RING PLATE FANS

ACCESSORIES

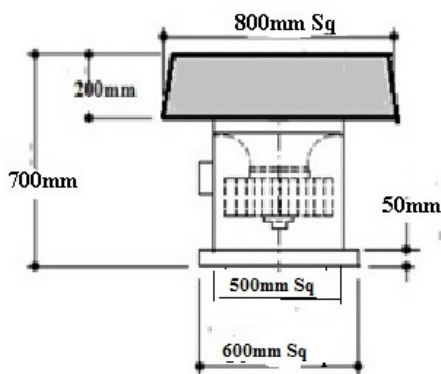
INDEX



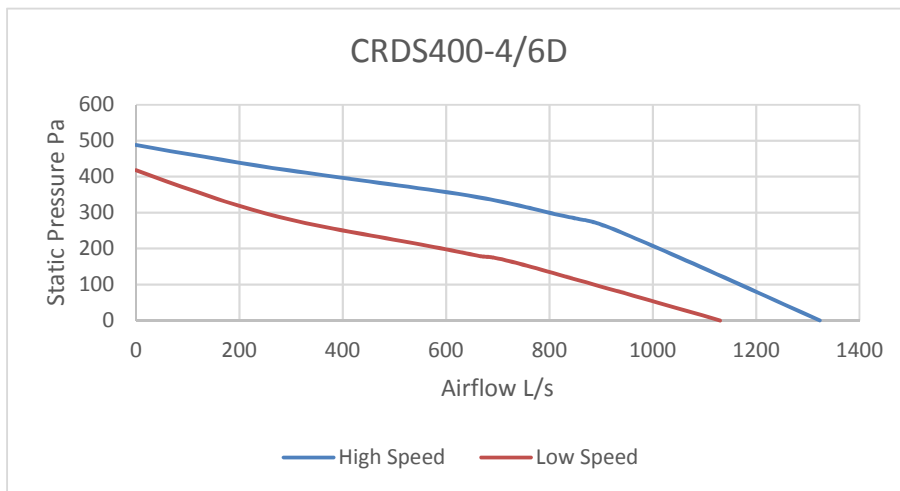
FAN FEATURES

- MAINLY USED FOR SUPPLY AIR.
- CAPABLE OF HANDLING UP TO 1300 L/s.
- USED FOR GENERAL VENTILATION.
- ALL METAL CONSTRUCTION.
- WEATHER PROOF DESIGN.
- SPEED CONTROLLABLE.
- EASY TO MAINTAIN
- SQUARE BASE CONNECTION
- FULL COMPLIANCE WITH AUSTRALIAN STANDARDS AIRFLOW TEST TO BS848 PART 1 & NOISE TEST TO BS848 PART 2

DIMENSIONS



PERFORMANCE



SOUND DATA

Model	Octave Band Frequency Lw db (A)								Lw dB (A)	SPL dB (A) @3m
	63	125	250	500	1K	2K	4K	8K		
CRDS400-4D	44	57	60	66	60	59	58	64	70	49
CRDS400-6D	34	53	55	61	56	65	53	57	67	46

TECHNICAL DATA

Fan Model	RPM	1 Phase KW	240V Amps	3 Phase KW	415V Amps	dba @3M
CRDS400-4D	1345			0.49	0.93	49
CRDS400-6D	1080			0.34	0.55	46



ECO DYNAMIC FANS PTY LTD

www.ecodynamicfans.com.au

296 South Gippsland Hwy,
Dandenong South VIC 3175

P: 03 8578 5911

E: sales@ecodynamicfans.com.au

F: 03 8768 8529



CRDS400-4E

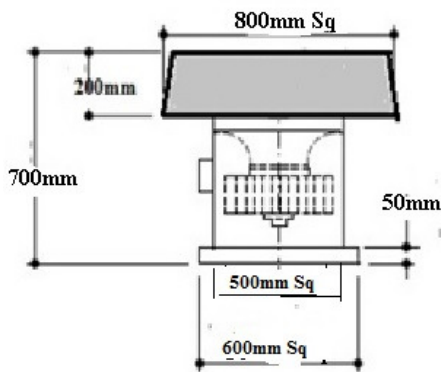
ROOF CENTRIFUGAL FAN



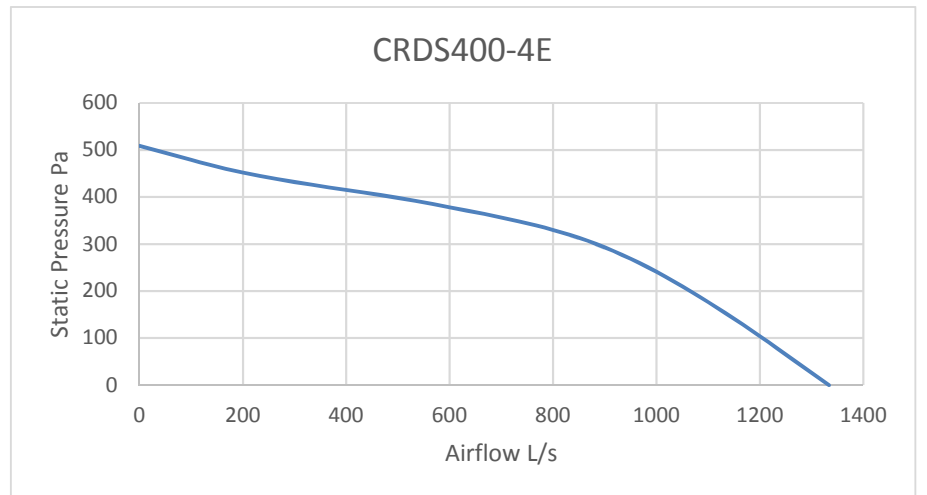
FAN FEATURES

- MAINLY USED FOR SUPPLY AIR.
- CAPABLE OF HANDLING UP TO 1300 L/s.
- USED FOR GENERAL VENTILATION.
- ALL METAL CONSTRUCTION.
- WEATHER PROOF DESIGN.
- SPEED CONTROLLABLE.
- EASY TO MAINTAIN
- SQUARE BASE CONNECTION
- FULL COMPLIANCE WITH AUSTRALIAN STANDARDS AIRFLOW TEST TO BS848 PART 1 & NOISE TEST TO BS848 PART 2

DIMENSIONS



PERFORMANCE



SOUND DATA

Model	Octave Band Frequency Lw db (A)								Lw dB (A)	SPL dB (A) @3m
	63	125	250	500	1K	2K	4K	8K		
CRDS400-4E	44	57	60	66	60	59	58	64	70	49

TECHNICAL DATA

Fan Model	RPM	1 Phase KW	240V Amps	3 Phase KW	415V Amps	dba @3M
CRDS400-4E	1390	0.55	2.6			49



**ECO DYNAMIC
FANS PTY LTD**

www.ecodynamicfans.com.au

296 South Gippsland Hwy,
Dandenong South VIC 3175

P: 03 8578 5911

E: sales@ecodynamicfans.com.au

F: 03 8768 8529



CRDS450-4/6D-F

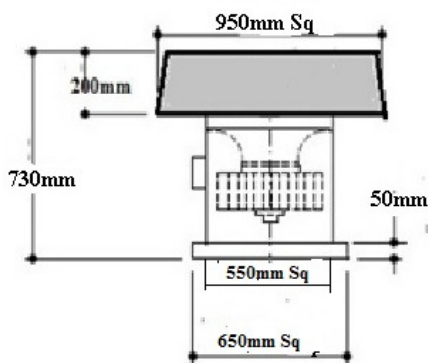
ROOF CENTRIFUGAL FAN



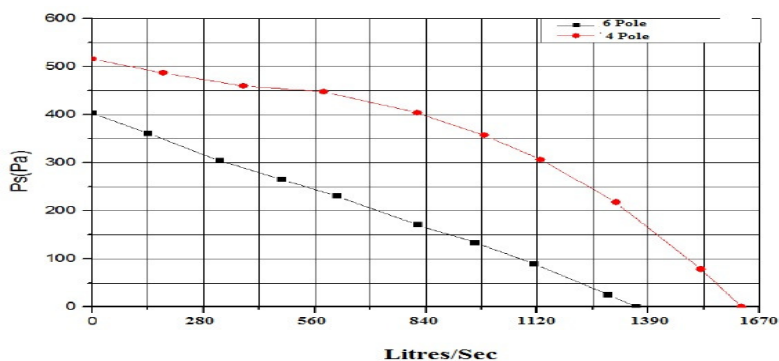
FAN FEATURES

- ROOF CENTRIFUGAL FAN MAINLY USED FOR SUPPLY AIR.
- CAPABLE OF HANDLING UP TO 1600 L/s.
- USED FOR COMMERCIAL KITCHEN APPLICATIONS AND GENERAL VENTILATION.
- GALVANIZED STEEL CONSTRUCTION.
- SPEED CONTROLLABLE, VSD, STAR/DELTA SWITCH OR 5 STEP CONTROLLERS
- SQUARE BASE CONNECTION
- 3 PHASE MOTOR 2 SPEED STAR/DELTA
- FULL COMPLIANCE WITH AUSTRALIAN STANDARDS AIRFLOW TEST TO BS848 PART 1 & NOISE TEST TO BS848 PART 2

DIMENSIONS



PERFORMANCE



SOUND DATA

Model	Octave Band Frequency Lw db (A)								Lw dB (A)	SPL dB (A) @3m
	63	125	250	500	1K	2K	4K	8K		
CRDS45-4D									71	50
CRDS450-6D									66	45

TECHNICAL DATA

Fan Model	RPM	1 Phase KW	240V Amps	3 Phase KW	415V Amps	dba @3M
CRDS450-4D	1390			0.50	1.26	50
CRDS450-6D	1170			0.38	0.68	45



ECO DYNAMIC FANS PTY LTD

296 South Gippsland Hwy,
Dandenong South VIC 3175

P: 03 8578 5911

E: sales@ecodynamicfans.com.au

F: 03 8768 8529

www.ecodynamicfans.com.au



CRDS450-4/6D

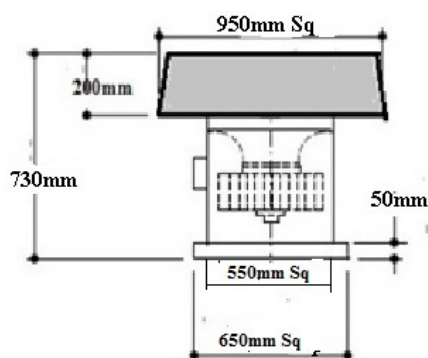
ROOF CENTRIFUGAL FAN



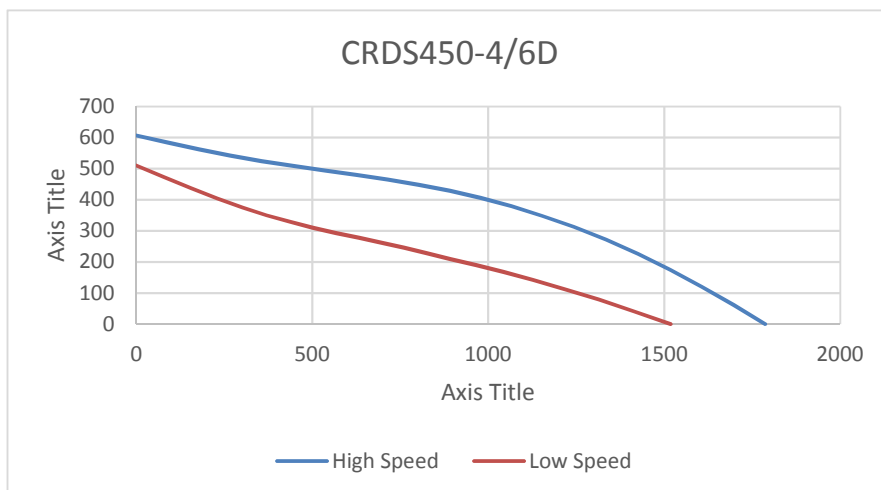
FAN FEATURES

- MAINLY USED FOR SUPPLY AIR.
- CAPABLE OF HANDLING UP TO 1600 L/s.
- USED FOR GENERAL VENTILATION.
- ALL METAL CONSTRUCTION.
- WEATHER PROOF DESIGN.
- SPEED CONTROLLABLE.
- EASY TO MAINTAIN
- SQUARE BASE CONNECTION
- FULL COMPLIANCE WITH AUSTRALIAN STANDARDS AIRFLOW TEST TO BS848 PART 1 & NOISE TEST TO BS848 PART 2

DIMENSIONS



PERFORMANCE



SOUND DATA

Model	Octave Band Frequency Lw dB (A)								Lw dB (A)	SPL dB (A) @3m
	63	125	250	500	1K	2K	4K	8K		
CRDS450-4D	46	64	68	71	66	65	62	67	75	54
CRDS450-6D	49	55	59	61	58	57	61	54	67	46

TECHNICAL DATA

Fan Model	RPM	1 Phase KW	240V Amps	3 Phase KW	415V Amps	dba @3M
CRDS450-4D	1330			0.8	1.58	54
CRDS450-6D	1040			0.54	0.94	46



ECO DYNAMIC FANS PTY LTD

www.ecodynamicfans.com.au

296 South Gippsland Hwy,
Dandenong South VIC 3175

P: 03 8578 5911

E: sales@ecodynamicfans.com.au

F: 03 8768 8529



CRDS450-4E

ROOF CENTRIFUGAL FAN

ROOF FANS

INLINE FANS

SQUARE & RING PLATE FANS

ACCESSORIES

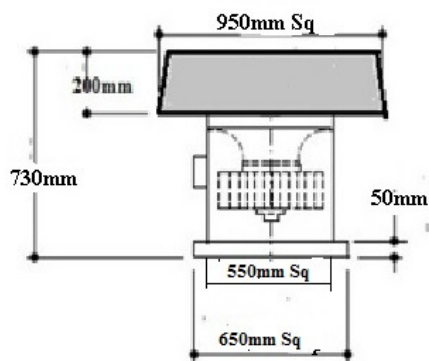
INDEX



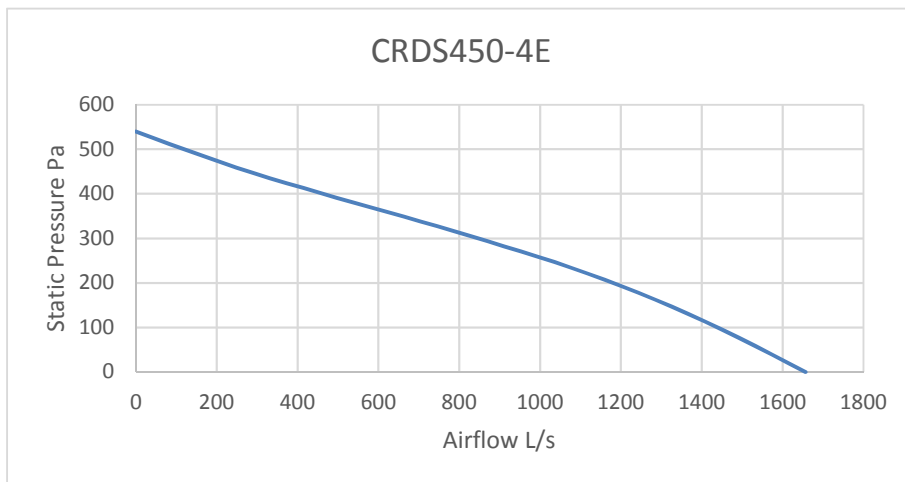
FAN FEATURES

- MAINLY USED FOR SUPPLY AIR.
- CAPABLE OF HANDLING UP TO 1600 L/s.
- USED FOR GENERAL VENTILATION.
- ALL METAL CONSTRUCTION.
- WEATHER PROOF DESIGN.
- SPEED CONTROLLABLE.
- EASY TO MAINTAIN
- SQUARE BASE CONNECTION
- FULL COMPLIANCE WITH AUSTRALIAN STANDARDS AIRFLOW TEST TO BS848 PART 1 & NOISE TEST TO BS848 PART 2

DIMENSIONS



PERFORMANCE



SOUND DATA

Model	Octave Band Frequency Lw db (A)								Lw dB (A)	SPL dB (A) @3m
	63	125	250	500	1K	2K	4K	8K		
CRDS450-4E	46	59	65	66	61	60	57	52	71	50

TECHNICAL DATA

Fan Model	RPM	1 Phase KW	240V Amps	3 Phase KW	415V Amps	dba @3M
CRDS450-4E	1160	0.66	3.0			50



ECO DYNAMIC FANS PTY LTD

296 South Gippsland Hwy,
Dandenong South VIC 3175

P: 03 8578 5911

E: sales@ecodynamicfans.com.au

F: 03 8768 8529

www.ecodynamicfans.com.au



CRDS500-4/6D

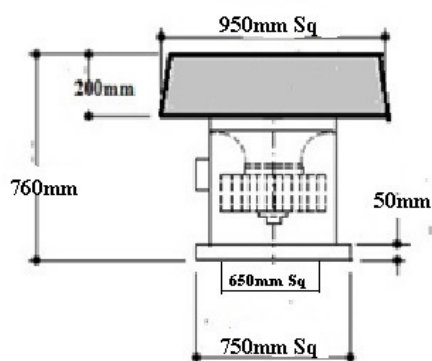
ROOF CENTRIFUGAL FAN



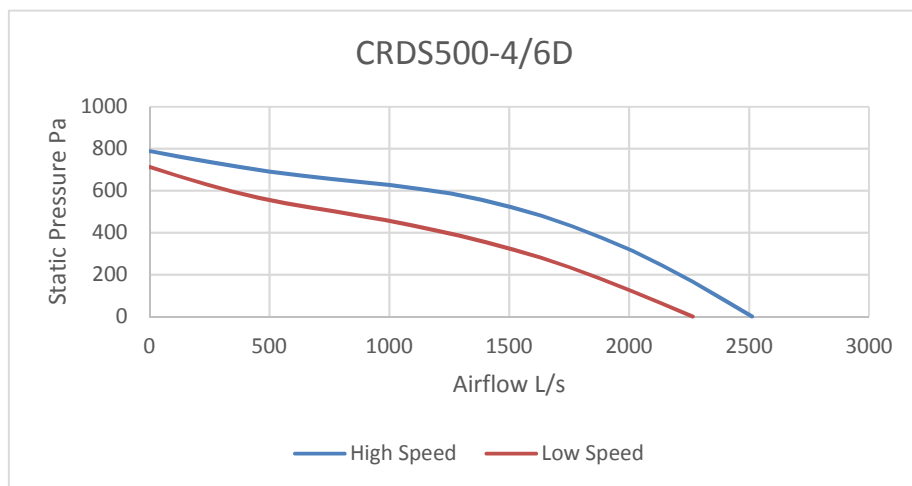
FAN FEATURES

- MAINLY USED FOR SUPPLY AIR.
- CAPABLE OF HANDLING UP TO 2500 L/s.
- USED FOR GENERAL VENTILATION.
- ALL METAL CONSTRUCTION.
- WEATHER PROOF DESIGN.
- SPEED CONTROLLABLE.
- EASY TO MAINTAIN
- SQUARE BASE CONNECTION
- FULL COMPLIANCE WITH AUSTRALIAN STANDARDS AIRFLOW TEST TO BS848 PART 1 & NOISE TEST TO BS848 PART 2

DIMENSIONS



PERFORMANCE



SOUND DATA

Model	Octave Band Frequency Lw db (A)								Lw dB (A)	SPL dB (A) @3m
	63	125	250	500	1K	2K	4K	8K		
CRDS500-4D	51	68	72	76	71	71	59	68	79	58
CRDS500-6D	56	58	61	63	61	57	66	59	70	49

TECHNICAL DATA

Fan Model	RPM	1 Phase KW	240V Amps	3 Phase KW	415V Amps	dba @3M
CRDS500-4D	1395			1.4	2.9	58
CRDS500-6D				1.08	1.81	49



**ECO DYNAMIC
FANS PTY LTD**

www.ecodynamicfans.com.au

296 South Gippsland Hwy,
Dandenong South VIC 3175
P: 03 8578 5911
E: sales@ecodynamicfans.com.au
F: 03 8768 8529



CRDS560-4/6D

ROOF CENTRIFUGAL FAN

ROOF FANS

INLINE FANS

SQUARE & RING PLATE FANS

ACCESSORIES

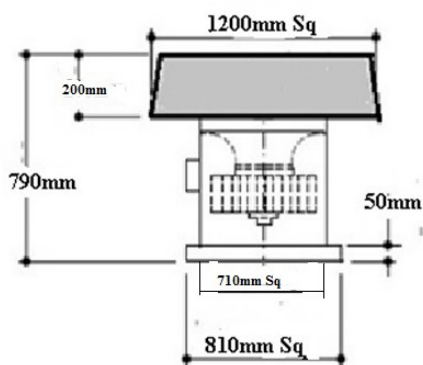
INDEX



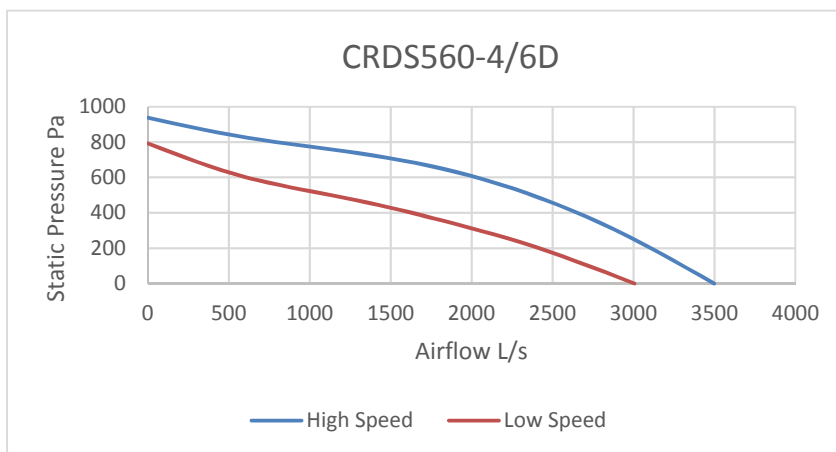
FAN FEATURES

- MAINLY USED FOR SUPPLY AIR.
- CAPABLE OF HANDLING UP TO 3500 L/s.
- USED FOR GENERAL VENTILATION.
- ALL METAL CONSTRUCTION.
- WEATHER PROOF DESIGN.
- SPEED CONTROLLABLE.
- EASY TO MAINTAIN
- SQUARE BASE CONNECTION
- FULL COMPLIANCE WITH AUSTRALIAN STANDARDS AIRFLOW TEST TO BS848 PART 1 & NOISE TEST TO BS848 PART 2

DIMENSIONS



PERFORMANCE



SOUND DATA

Model	Octave Band Frequency Lw db (A)								Lw dB (A)	SPL dB (A) @3m
	63	125	250	500	1K	2K	4K	8K		
CRDS560-4D	54	75	76	77	74	72	70	68	82	61
CRDS560-6D	59	61	65	66	64	60	69	62	74	53

TECHNICAL DATA

Fan Model	RPM	1 Phase KW	240V Amps	3 Phase KW	415V Amps	dba @3M
CRDS560-4D	1330			2.2	4.3	61
CRDS560-6D				1.51	2.5	53



ECO DYNAMIC FANS PTY LTD

296 South Gippsland Hwy,
Dandenong South VIC 3175

P: 03 8578 5911

E: sales@ecodynamicfans.com.au

F: 03 8768 8529

www.ecodynamicfans.com.au

INLINE FANS



IA		Inline Axial Fans.....	53 - 54
IC		Inline Centrifugal Fans	55 - 67
ICT		Inline Centrifugal Fans TEFC	68 - 73
IMF		Inline Mix Flow Fans	74 - 75

ROOF FANS

INLINE FANS

SQUARE & RING PLATE FANS

INDEX





IA38-4E/D

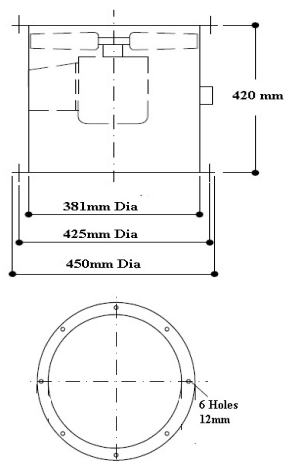
INLINE AXIAL FAN



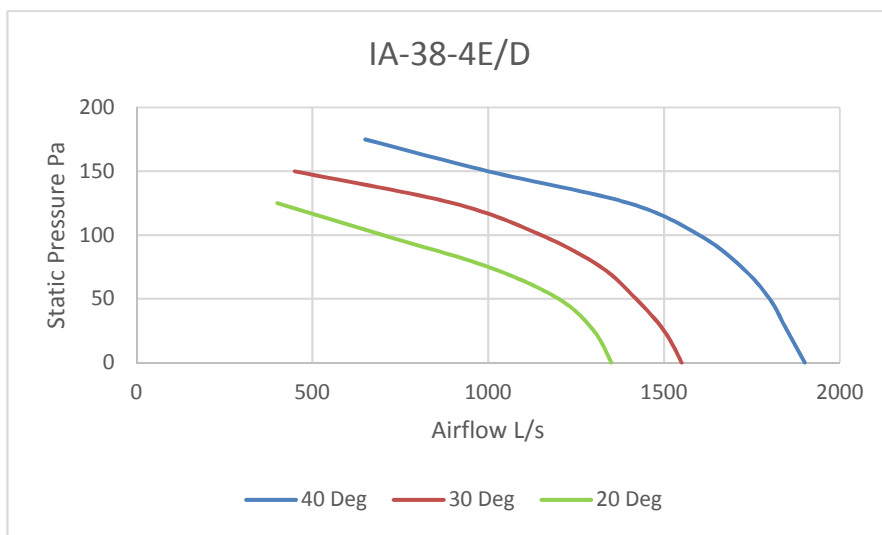
FAN FEATURES

- 381mm INLINE AXIAL FAN.
- CAPABLE OF HANDLING 800L/S TO 1800L/S.
- USED FOR COMMERCIAL KITCHEN APPLICATIONS AND GENERAL VENTILATION.
- GALVINIZED STEEL CONSTRUCTION.
- SPEED CONTROLLABLE OPTIONS AVAILABLE.
- CIRCULAR CONNECTION COMPLETE WITH MATCHING FLANGE.
- ADJUSTABLE PITCH IMPELLER.
- FULL COMPLIANCE WITH AUSTRALIAN STANDARDS AIRFLOW TEST TO BS848 PART 1 & NOISE TEST TO BS848 PART 2

DIMENSIONS



PERFORMANCE



SOUND DATA

Model	Octave Band Frequency Lw db (A)								Lw dB (A)	SPL dB (A) @3m
	63	125	250	500	1K	2K	4K	8K		
IA38	44	53	69	68	69	67	64	59	75	54

TECHNICAL DATA

Fan Model	RPM	1 Phase KW	240V Amps	3 Phase KW	415V Amps	dba @3M
IA38-4E	1410	0.37	2.9			54
IA38-4E Var		0.37	2.9			54
IA38-4D	1400			0.37	1.1	54



ECO DYNAMIC FANS PTY LTD

296 South Gippsland Hwy,
Dandenong South VIC 3175
P: 03 8578 5911

E: sales@ecodynamicfans.com.au
F: 03 8768 8529

www.ecodynamicfans.com.au

ROOF FANS

INLINE FANS

SQUARE & RING PLATE FANS

ACCESSORIES

INDEX



IA45-4E/D

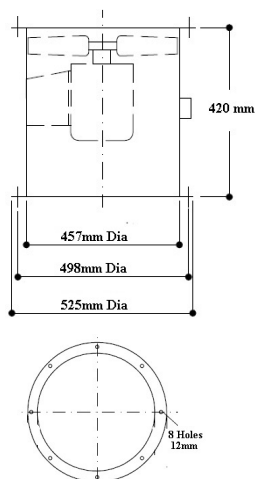
INLINE AXIAL FAN



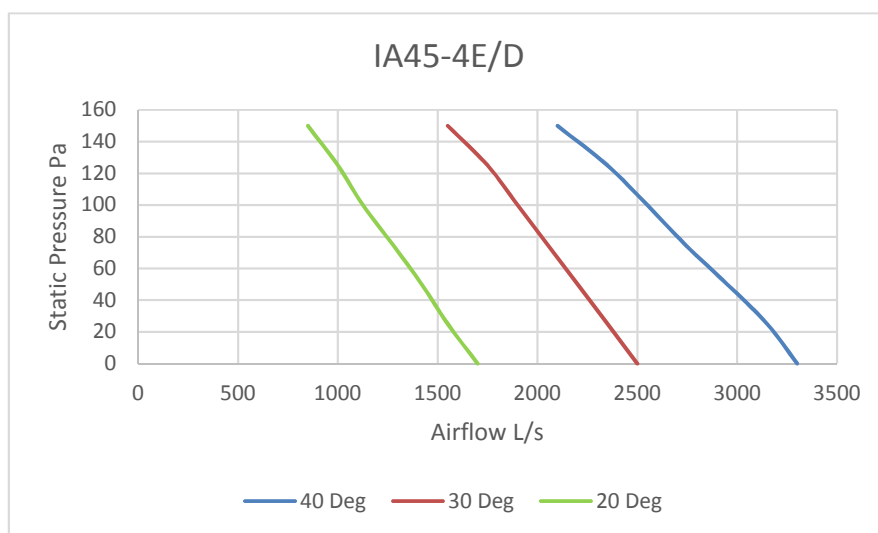
FAN FEATURES

- 457mm INLINE AXIAL FAN.
- CAPABLE OF HANDLING UP TO 3000L/S.
- USED FOR COMMERCIAL KITCHEN APPLICATIONS AND GENERAL VENTILATION.
- GALVINIZED STEEL CONSTRUCTION.
- SPEED CONTROLLABLE OPTIONS AVAILABLE.
- CIRCULAR CONNECTION COMPLETE WITH MATCHING FLANGE.
- ADJUSTABLE PITCH IMPELLER.
- FULL COMPLIANCE WITH AUSTRALIAN STANDARDS AIRFLOW TEST TO BS848 PART 1 & NOISE TEST TO BS848 PART 2

DIMENSIONS



PERFORMANCE



SOUND DATA

Model	Octave Band Frequency Lw db (A)								Lw dB (A)	SPL dB (A) @3m
	63	125	250	500	1K	2K	4K	8K		
IA45	49	58	74	72	73	72	69	64	79	58

TECHNICAL DATA

Fan Model	RPM	1 Phase KW	240V Amps	3 Phase KW	415V Amps	dba @3M
IA45-4E	1420	0.75	4.7			58
IA45-4E Var	1420	0.75	4.7			
IA45-4D	1400			0.75	2.1	58



ECO DYNAMIC FANS PTY LTD

www.ecodynamicfans.com.au

296 South Gippsland Hwy,
Dandenong South VIC 3175
P: 03 8578 5911
E: sales@ecodynamicfans.com.au
F: 03 8768 8529



IC310-4E

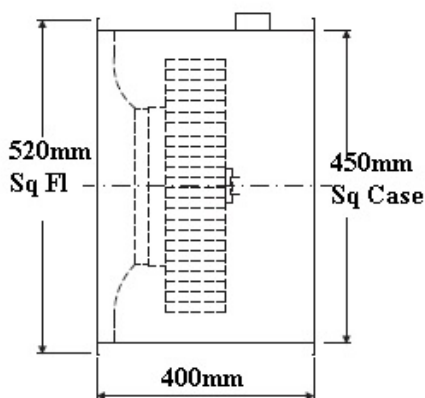
INLINE CENTRIFUGAL FAN



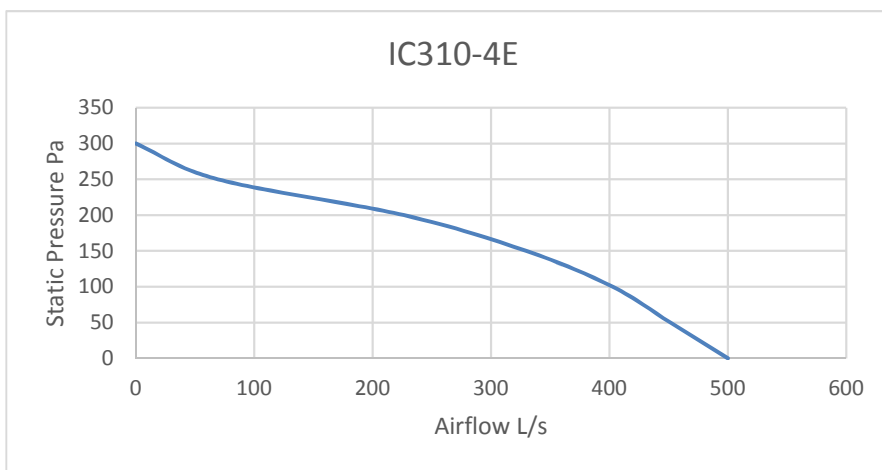
FAN FEATURES

- INLINE CENTRIFUGAL BOX FAN.
- CAPABLE OF HANDLING UP TO 500 L/s.
- USED FOR GENERAL VENTILATION.
- ALL METAL CONSTRUCTION.
- WEATHER PROOF DESIGN.
- SPEED CONTROLLABLE.
- EASY TO MAINTAIN
- SQUARE FLANGE CONNECTION
- FULL COMPLIANCE WITH AUSTRALIAN STANDARDS AIRFLOW TEST TO BS848 PART 1 & NOISE TEST TO BS848 PART 2

DIMENSIONS



PERFORMANCE



SOUND DATA

Model	Octave Band Frequency Lw db (A)								Lw dB (A)	SPL dB (A) @3m
	63	125	250	500	1K	2K	4K	8K		
IC310-4E	27	51	55	65	67	54	58	51	69	48

TECHNICAL DATA

Fan Model	RPM	1 Phase KW	240V Amps	3 Phase KW	415V Amps	dba @3M
IC310-4E	1390	0.12	0.55			48



ECO DYNAMIC FANS PTY LTD

296 South Gippsland Hwy,
Dandenong South VIC 3175
P: 03 8578 5911

E: sales@ecodynamicfans.com.au
F: 03 8768 8529

www.ecodynamicfans.com.au



IC355-4E

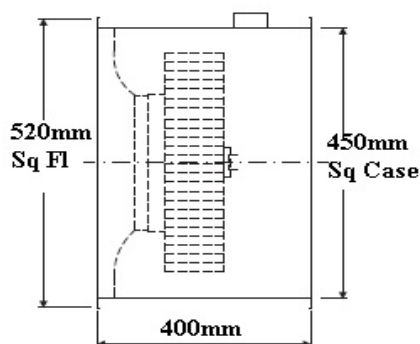
INLINE CENTRIFUGAL FAN



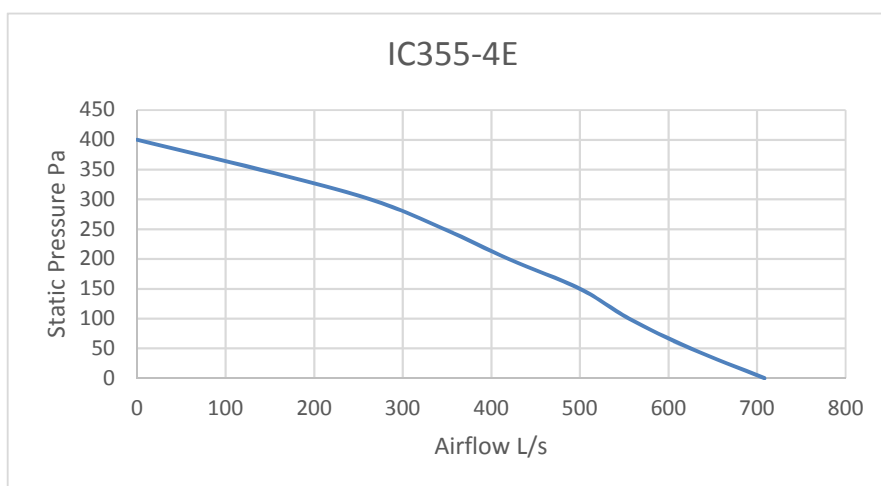
FAN FEATURES

- INLINE CENTRIFUGAL FAN. CAPABLE OF HANDLING UP TO 700 L/s.
- USED FOR COMMERCIAL KITCHEN APPLICATIONS AND GENERAL VENTILATION.
- WEATHER PROOF HOUSING.
- GALVINIZED STEEL CONSTRUCTION.
- SPEED CONTROLLABLE.
- SQUARE FLANGE CONNECTION
- FULL COMPLIANCE WITH AUSTRALIAN STANDARDS AIRFLOW TEST TO BS848 PART 1 & NOISE TEST TO BS848 PART 2

DIMENSIONS



PERFORMANCE



SOUND DATA

Model	Octave Band Frequency Lw db (A)								Lw dB (A)	SPL dB (A) @3m
	63	125	250	500	1K	2K	4K	8K		
IC355-4E	24	48	53	67	69	67	63	49	73	52

TECHNICAL DATA

Fan Model	RPM	1 Phase KW	240V Amps	3 Phase KW	415V Amps	dba @3M
IC355-4E	1400	0.2	1.0			52



**ECO DYNAMIC
FANS PTY LTD**

www.ecodynamicfans.com.au

296 South Gippsland Hwy,
Dandenong South VIC 3175
P: 03 8578 5911

E: sales@ecodynamicfans.com.au
F: 03 8768 8529



IC400-4/6D

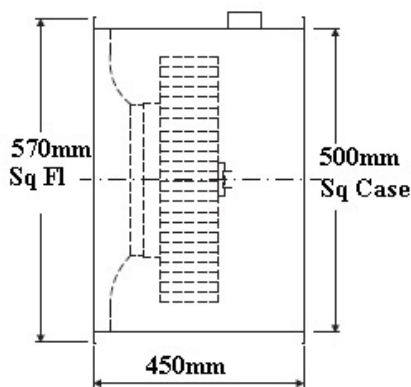
INLINE CENTRIFUGAL FAN



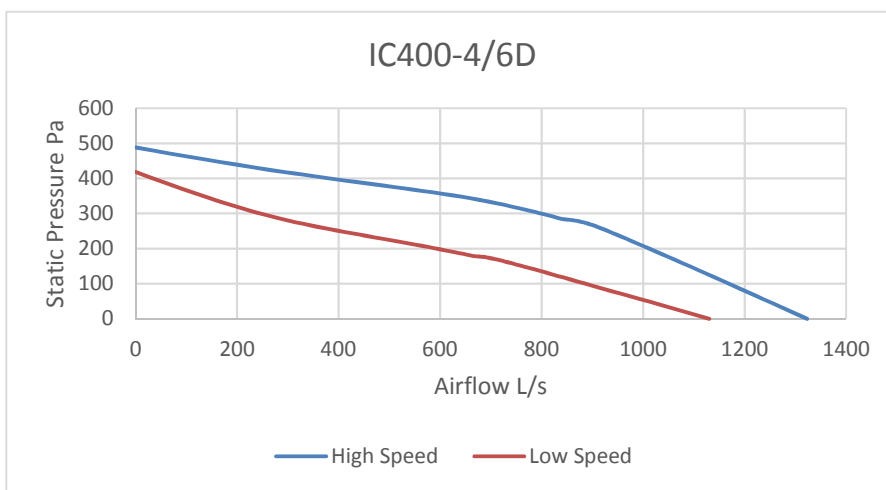
FAN FEATURES

- INLINE CENTRIFUGAL FAN. CAPABLE OF HANDLING UP TO 1300 L/s.
- USED FOR COMMERCIAL KITCHEN APPLICATIONS AND GENERAL VENTILATION.
- WEATHER PROOF HOUSING.
- GALVINIZED STEEL CONSTRUCTION.
- SPEED CONTROLLABLE.
- SQUARE FLANGE CONNECTION
- FULL COMPLIANCE WITH AUSTRALIAN STANDARDS AIRFLOW TEST TO BS848 PART 1 & NOISE TEST TO BS848 PART 2

DIMENSIONS



PERFORMANCE



SOUND DATA

Model	Octave Band Frequency Lw db (A)								Lw dB (A)	SPL dB (A) @3m
	63	125	250	500	1K	2K	4K	8K		
IC400-4D	44	57	60	66	60	59	58	64	70	49
IC400-6D	34	53	55	61	56	65	53	57	67	46

TECHNICAL DATA

Fan Model	RPM	1 Phase KW	240V Amps	3 Phase KW	415V Amps	dba @3M
IC400-4D	1345			0.49	0.93	49
IC400-6D				0.34	0.55	46



ECO DYNAMIC FANS PTY LTD

www.ecodynamicfans.com.au

296 South Gippsland Hwy,
Dandenong South VIC 3175

P: 03 8578 5911

E: sales@ecodynamicfans.com.au

F: 03 8768 8529

ROOF FANS

INLINE FANS

SQUARE & RING PLATE FANS

ACCESSORIES

INDEX



IC400-4E

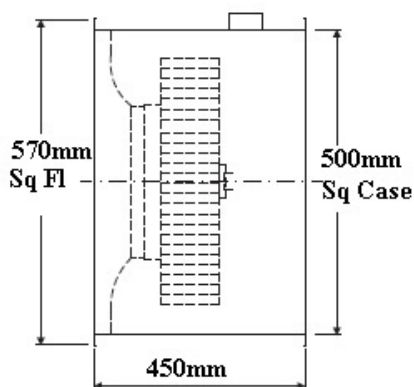
INLINE CENTRIFUGAL FAN



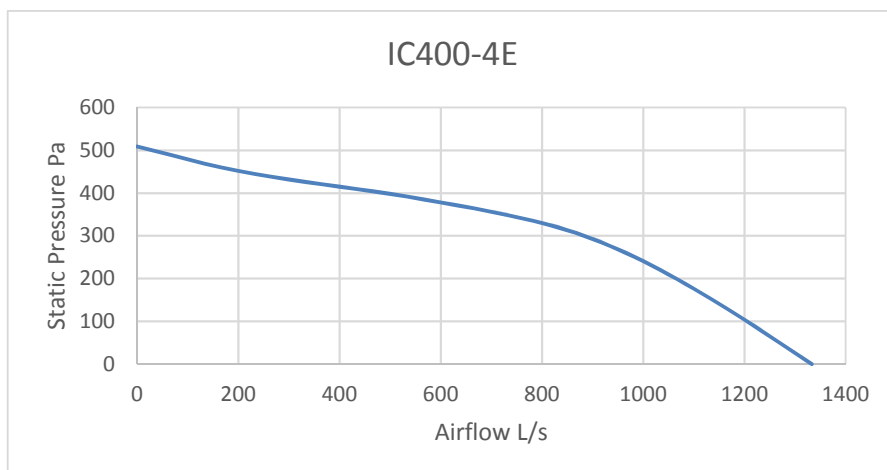
FAN FEATURES

- INLINE CENTRIFUGAL FAN. CAPABLE OF HANDLING UP TO 1300 L/s.
- USED FOR COMMERCIAL KITCHEN APPLICATIONS AND GENERAL VENTILATION.
- WEATHER PROOF HOUSING.
- GALVANIZED STEEL CONSTRUCTION.
- SPEED CONTROLLABLE.
- SQUARE FLANGE CONNECTION
- FULL COMPLIANCE WITH AUSTRALIAN STANDARDS AIRFLOW TEST TO BS848 PART 1 & NOISE TEST TO BS848 PART 2

DIMENSIONS



PERFORMANCE



SOUND DATA

Model	Octave Band Frequency Lw db (A)								Lw dB (A)	SPL dB (A) @3m
	63	125	250	500	1K	2K	4K	8K		
IC400-4E	44	57	60	66	60	59	58	64	70	49

TECHNICAL DATA

Fan Model	RPM	1 Phase KW	240V Amps	3 Phase KW	415V Amps	dba @3M
IC400-4E	1390	0.55	2.6			49



**ECO DYNAMIC
FANS PTY LTD**

296 South Gippsland Hwy,
Dandenong South VIC 3175
P: 03 8578 5911
E: sales@ecodynamicfans.com.au
F: 03 8768 8529

www.ecodynamicfans.com.au



IC450-4/6D

INLINE CENTRIFUGAL FAN

ROOF FANS

INLINE FANS

SQUARE & RING PLATE FANS

ACCESSORIES

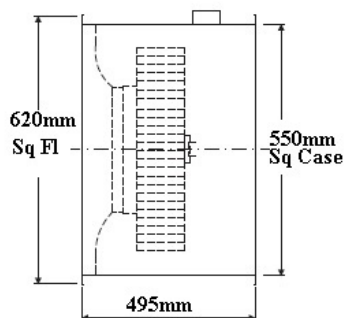
INDEX



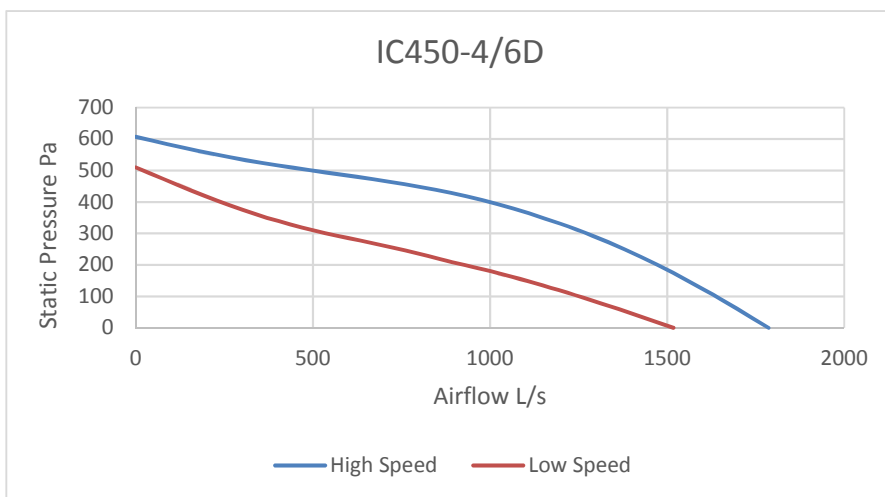
FAN FEATURES

- INLINE CENTRIFUGAL FAN. CAPABLE OF HANDLING UP TO 1700 L/s.
- USED FOR COMMERCIAL KITCHEN APPLICATIONS AND GENERAL VENTILATION.
- WEATHER PROOF HOUSING.
- GALVINIZED STEEL CONSTRUCTION.
- SPEED CONTROLLABLE.
- SQUARE FLANGE CONNECTION
- FULL COMPLIANCE WITH AUSTRALIAN STANDARDS AIRFLOW TEST TO BS848 PART 1 & NOISE TEST TO BS848 PART 2

DIMENSIONS



PERFORMANCE



SOUND DATA

Model	Octave Band Frequency Lw db (A)								Lw dB (A)	SPL dB (A) @3m
	63	125	250	500	1K	2K	4K	8K		
IC450-4D	46	64	68	71	66	65	62	67	75	54
IC450-6D	49	55	59	61	58	57	61	54	67	46

TECHNICAL DATA

Fan Model	RPM	1 Phase KW	240V Amps	3 Phase KW	415V Amps	dba @3M
IC450-4D	1330			0.8	1.58	54
IC450-6D	1040			0.54	0.94	46



ECO DYNAMIC FANS PTY LTD

www.ecodynamicfans.com.au

296 South Gippsland Hwy,
Dandenong South VIC 3175

P: 03 8578 5911

E: sales@ecodynamicfans.com.au

F: 03 8768 8529



IC450-4/6D-F

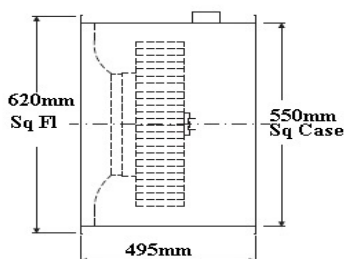
INLINE CENTRIFUGAL FANS



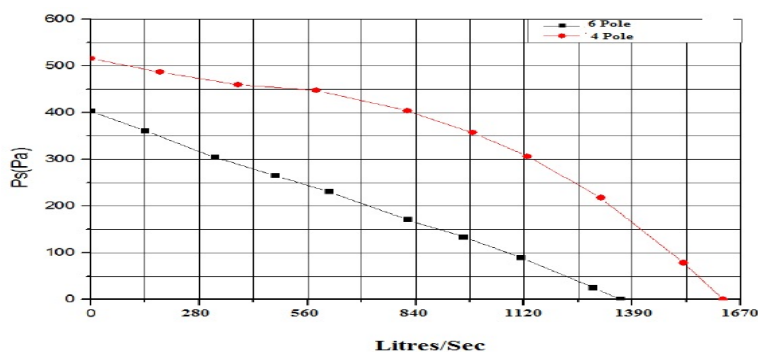
FAN FEATURES

- INLINE CENTRIFUGAL FAN.
- CAPABLE OF HANDLING UP TO 1600 L/s.
- USED FOR COMMERCIAL KITCHEN APPLICATIONS AND GENERAL VENTILATION.
- GALVANIZED STEEL CONSTRUCTION.
- SPEED CONTROLLABLE, VSD, STAR/DELTA SWITCH OR 5 STEP CONTROLLERS
- SQUARE FLANGE CONNECTION
- 3 PHASE MOTOR 2 SPEED STAR/DELTA
- FULL COMPLIANCE WITH AUSTRALIAN STANDARDS AIRFLOW TEST TO BS848 PART 1 & NOISE TEST TO BS848 PART 2

DIMENSIONS



PERFORMANCE



SOUND DATA

Model	Octave Band Frequency Lw db (A)								Lw dB (A)	SPL dB (A) @3m
	63	125	250	500	1K	2K	4K	8K		
IC450-4D									71	50
IC450-6D									66	45

TECHNICAL DATA

Fan Model	RPM	1 Phase KW	240V Amps	3 Phase KW	415V Amps	dba @3M
IC450-4D	1390			0.50	1.26	50
IC450-6D	1170			0.38	0.68	45



ECO DYNAMIC FANS PTY LTD

296 South Gippsland Hwy,
Dandenong South VIC 3175

P: 03 8578 5911

E: sales@ecodynamicfans.com.au

F: 03 8768 8529

www.ecodynamicfans.com.au



IC450-4E

INLINE CENTRIFUGAL FAN

ROOF FANS

INLINE FANS

SQUARE & RING PLATE FANS

ACCESSORIES

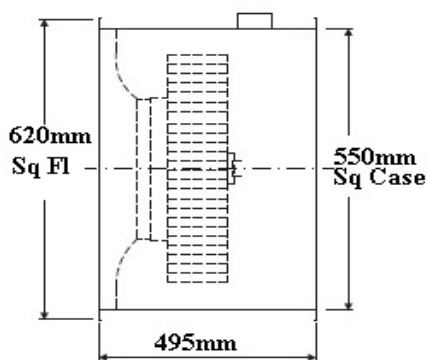
INDEX



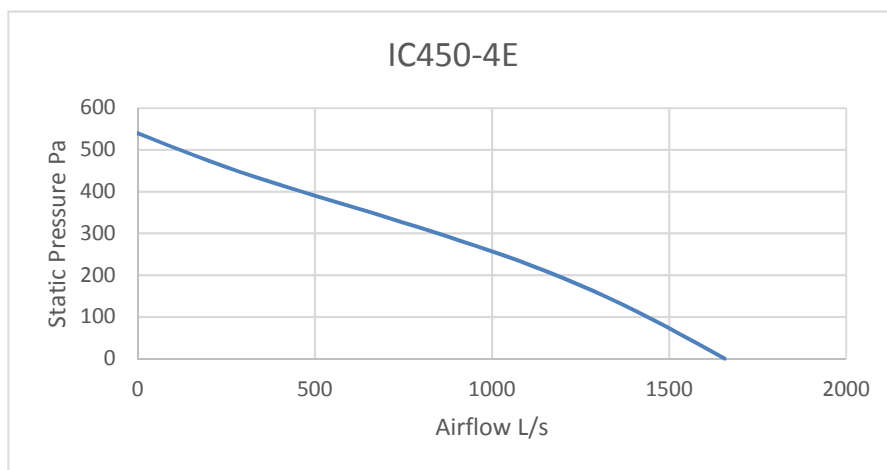
FAN FEATURES

- INLINE CENTRIFUGAL FAN. CAPABLE OF HANDLING UP TO 1600 L/s.
- USED FOR COMMERCIAL KITCHEN APPLICATIONS AND GENERAL VENTILATION.
- WEATHER PROOF HOUSING.
- GALVANIZED STEEL CONSTRUCTION.
- SPEED CONTROLLABLE.
- SQUARE FLANGE CONNECTION
- FULL COMPLIANCE WITH AUSTRALIAN STANDARDS AIRFLOW TEST TO BS848 PART 1 & NOISE TEST TO BS848 PART 2

DIMENSIONS



PERFORMANCE



SOUND DATA

Model	Octave Band Frequency Lw db (A)								Lw dB (A)	SPL dB (A) @3m
	63	125	250	500	1K	2K	4K	8K		
IC450-4E	48	61	67	67	62	61	58	63	72	51

TECHNICAL DATA

Fan Model	RPM	1 Phase KW	240V Amps	3 Phase KW	415V Amps	dba @3M
IC450-4E	1160	0.66	3			51



ECO DYNAMIC FANS PTY LTD

296 South Gippsland Hwy,
Dandenong South VIC 3175
P: 03 8578 5911
E: sales@ecodynamicfans.com.au
F: 03 8768 8529

www.ecodynamicfans.com.au



IC500-4/6D

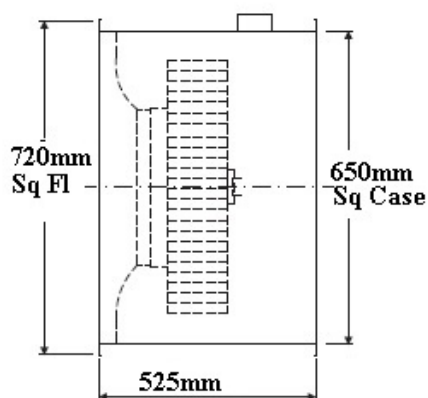
INLINE CENTRIFUGAL FAN



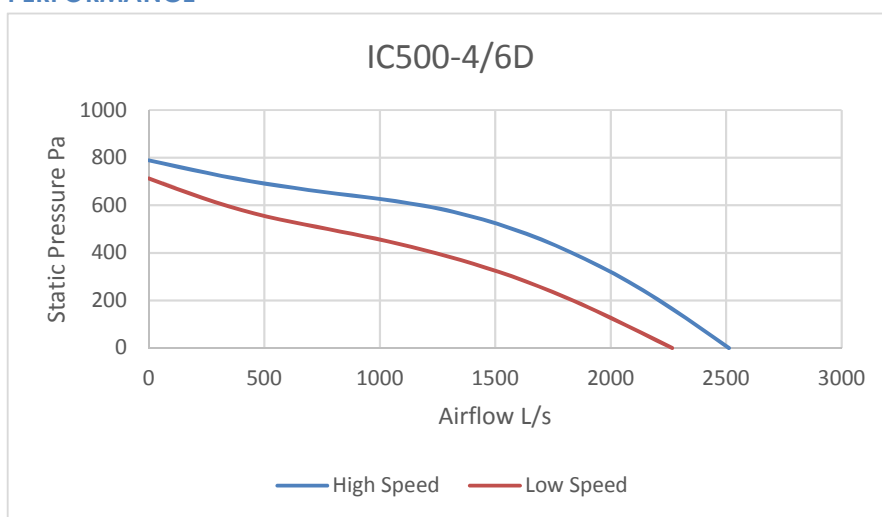
FAN FEATURES

- INLINE CENTRIFUGAL FAN. CAPABLE OF HANDLING UP TO 2400 L/s.
- USED FOR COMMERCIAL KITCHEN APPLICATIONS AND GENERAL VENTILATION.
- WEATHER PROOF HOUSING.
- GALVANIZED STEEL CONSTRUCTION.
- SPEED CONTROLLABLE.
- SQUARE FLANGE CONNECTION
- FULL COMPLIANCE WITH AUSTRALIAN STANDARDS AIRFLOW TEST TO BS848 PART 1 & NOISE TEST TO BS848 PART 2

DIMENSIONS



PERFORMANCE



SOUND DATA

Model	Octave Band Frequency Lw db (A)								Lw dB (A)	SPL dB (A) @3m
	63	125	250	500	1K	2K	4K	8K		
IC500-4D	51	68	72	76	71	71	59	68	79	58
IC500-6D	56	58	61	63	61	57	66	59	70	49

TECHNICAL DATA

Fan Model	RPM	1 Phase KW	240V Amps	3 Phase KW	415V Amps	dba @3M
IC500-4D	1395			1.4	2.9	58
IC500-6D	1200			1.08	1.81	49



**ECO DYNAMIC
FANS PTY LTD**

www.ecodynamicfans.com.au

296 South Gippsland Hwy,
Dandenong South VIC 3175

P: 03 8578 5911

E: sales@ecodynamicfans.com.au

F: 03 8768 8529



IC500-4E

INLINE CENTRIFUGAL FAN

ROOF FANS

INLINE FANS

SQUARE & RING PLATE FANS

ACCESSORIES

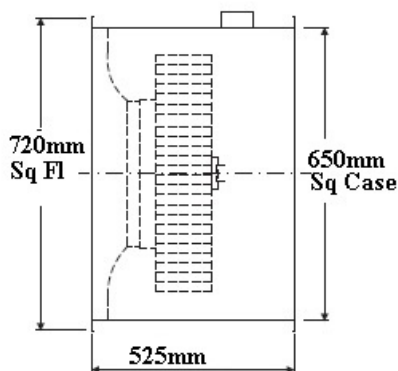
INDEX



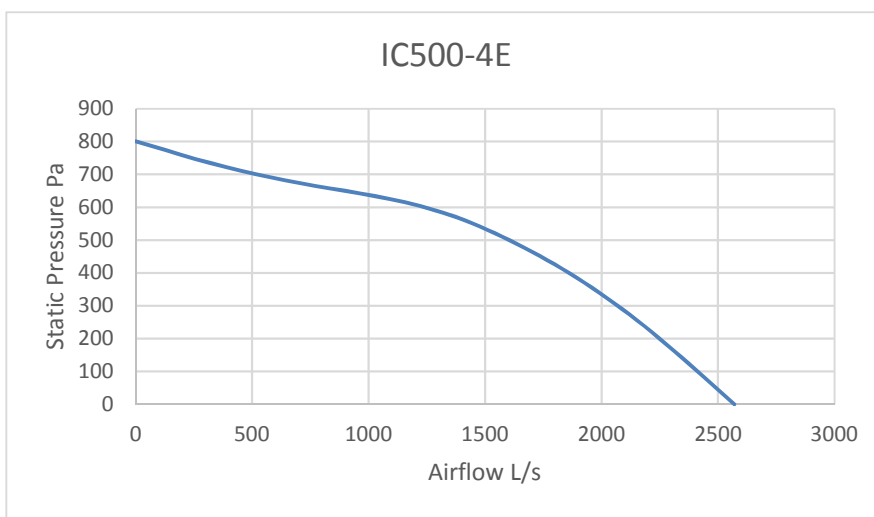
FAN FEATURES

- INLINE CENTRIFUGAL FAN. CAPABLE OF HANDLING UP TO 2500 L/s.
- USED FOR COMMERCIAL KITCHEN APPLICATIONS AND GENERAL VENTILATION.
- WEATHER PROOF HOUSING.
- GALVINIZED STEEL CONSTRUCTION.
- SPEED CONTROLLABLE.
- SQUARE FLANGE CONNECTION
- FULL COMPLIANCE WITH AUSTRALIAN STANDARDS AIRFLOW TEST TO BS848 PART 1 & NOISE TEST TO BS848 PART 2

DIMENSIONS



PERFORMANCE



SOUND DATA

Model	Octave Band Frequency Lw db (A)								Lw dB (A)	SPL dB (A) @3m
	63	125	250	500	1K	2K	4K	8K		
IC500-4E	51	68	72	76	71	71	59	68	79	58

TECHNICAL DATA

Fan Model	RPM	1 Phase KW	240V Amps	3 Phase KW	415V Amps	dba @3M
IC500-4E	1386	1.49	6.8			58



ECO DYNAMIC FANS PTY LTD

www.ecodynamicfans.com.au

296 South Gippsland Hwy,
Dandenong South VIC 3175

P: 03 8578 5911

E: sales@ecodynamicfans.com.au

F: 03 8768 8529



IC560-4/6D

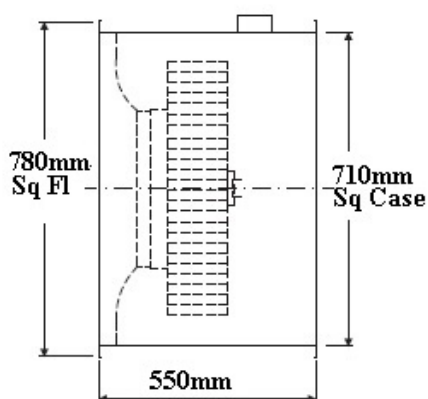
INLINE CENTRIFUGAL FAN



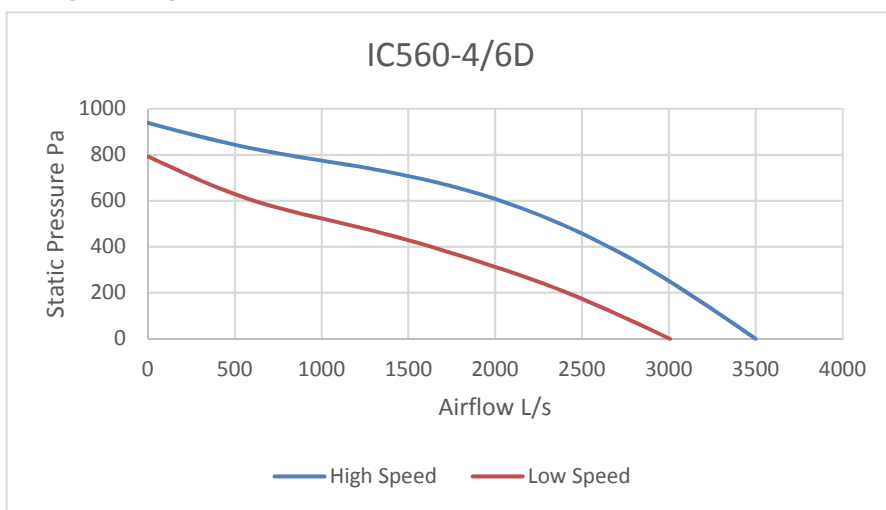
FAN FEATURES

- INLINE CENTRIFUGAL FAN. CAPABLE OF HANDLING UP TO 3400 L/s.
- USED FOR COMMERCIAL KITCHEN APPLICATIONS AND GENERAL VENTILATION.
- WEATHER PROOF HOUSING.
- GALVINIZED STEEL CONSTRUCTION.
- SPEED CONTROLLABLE.
- SQUARE FLANGE CONNECTION
- FULL COMPLIANCE WITH AUSTRALIAN STANDARDS AIRFLOW TEST TO BS848 PART 1 & NOISE TEST TO BS848 PART 2

DIMENSIONS



PERFORMANCE



SOUND DATA

Model	Octave Band Frequency Lw db (A)								Lw dB (A)	SPL dB (A) @3m
	63	125	250	500	1K	2K	4K	8K		
IC560-4D	54	75	76	77	74	72	70	68	82	61
IC560-6D	59	61	64	66	64	60	69	62	74	53

TECHNICAL DATA

Fan Model	RPM	1 Phase KW	240V Amps	3 Phase KW	415V Amps	dba @3M
IC560-4D	1330			2.2	4.3	61
IC560-6D	1085			1.51	2.5	53



**ECO DYNAMIC
FANS PTY LTD**

www.ecodynamicfans.com.au

296 South Gippsland Hwy,
Dandenong South VIC 3175

P: 03 8578 5911

E: sales@ecodynamicfans.com.au

F: 03 8768 8529



IC560-4/6D-F

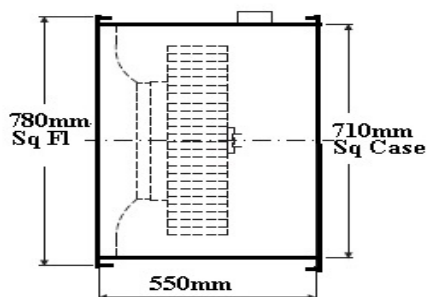
INLINE CENTRIFUGAL BOX FAN



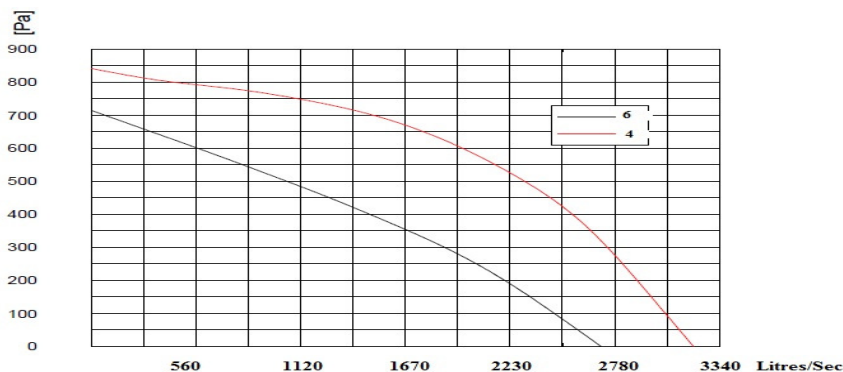
FAN FEATURES

- INLINE CENTRIFUGAL FAN. CAPABLE OF HANDLING UP TO 3200 L/s.
- USED FOR COMMERCIAL KITCHEN APPLICATIONS AND GENERAL VENTILATION.
- GALVINIZED STEEL CONSTRUCTION.
- SPEED CONTROLLABLE , VSD, STAR/DELTA SWITCH OR 5 STEP CONTROLLER
- SQUARE FLANGE CONNECTION
- 3 PHASE MOTOR 2 SPEED STAR/DELTA
- FULL COMPLIANCE WITH AUSTRALIAN STANDARDS AIRFLOW TEST TO BS848 PART 1 & NOISE TEST TO BS848 PART 2

DIMENSIONS



PERFORMANCE



SOUND DATA

Model	Octave Band Frequency Lw db (A)								Lw dB (A)	SPL dB (A) @3m
	63	125	250	500	1K	2K	4K	8K		
IC560-4D									85	64
IC560-6D									79	58

TECHNICAL DATA

Fan Model	RPM	1 Phase KW	240V Amps	3 Phase KW	415V Amps	dba @3M
IC560-4D	1420			1.52	2.85	64
IC560-6D	1300			1.48	2.4	58



ECO DYNAMIC FANS PTY LTD

296 South Gippsland Hwy,
Dandenong South VIC 3175

P: 03 8578 5911

E: sales@ecodynamicfans.com.au

F: 03 8768 8529

www.ecodynamicfans.com.au



IC630-6/8D

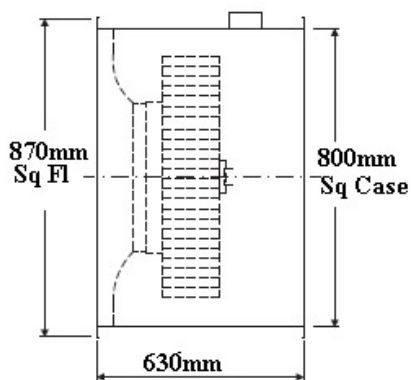
INLINE CENTRIFUGAL FAN



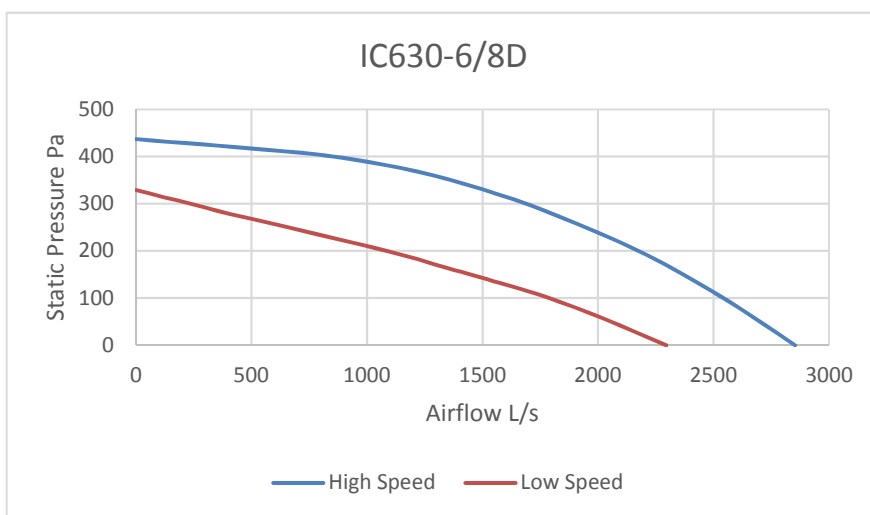
FAN FEATURES

- INLINE SQUARE BOX FAN CAPABLE OF HANDLING UP TO 2800 L/s.
- USED FOR COMMERCIAL KITCHEN APPLICATIONS AND GENERAL VENTILATION.
- WEATHER PROOF HOUSING.
- GALVANIZED STEEL CONSTRUCTION.
- SPEED CONTROLLABLE , VSD, STAR/DELTA SWITCH OR 5 STEP CONTROLLER
- SQUARE DUCT CONNECTION
- 3 PHASE MOTOR 2 SPEED STAR/DELTA
- FULL COMPLIANCE WITH AUSTRALIAN STANDARDS AIRFLOW TEST TO BS848 PART 1 & NOISE TEST TO BS848 PART 2

DIMENSIONS



PERFORMANCE



SOUND DATA

Model	Octave Band Frequency Lw db (A)								Lw dB (A)	SPL dB (A) @3m
	63	125	250	500	1K	2K	4K	8K		
IC630-6D	52	60	68	68	66	68	73	74	78	57
IC630-8D	44	52	60	60	58	60	65	66	70	49

TECHNICAL DATA

Fan Model	RPM	1 Phase KW	240V Amps	3 Phase KW	415V Amps	dba @3M
IC630-6D	860			1.1	2.1	57
IC630-8D	670			0.66	1.15	49



**ECO DYNAMIC
FANS PTY LTD**

296 South Gippsland Hwy,
Dandenong South VIC 3175
P: 03 8578 5911
E: sales@ecodynamicfans.com.au
F: 03 8768 8529

www.ecodynamicfans.com.au



IC710-6/8D

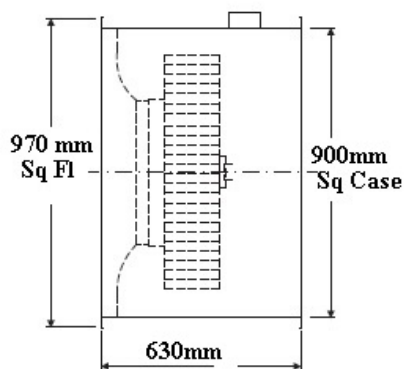
INLINE CENTRIFUGAL FAN



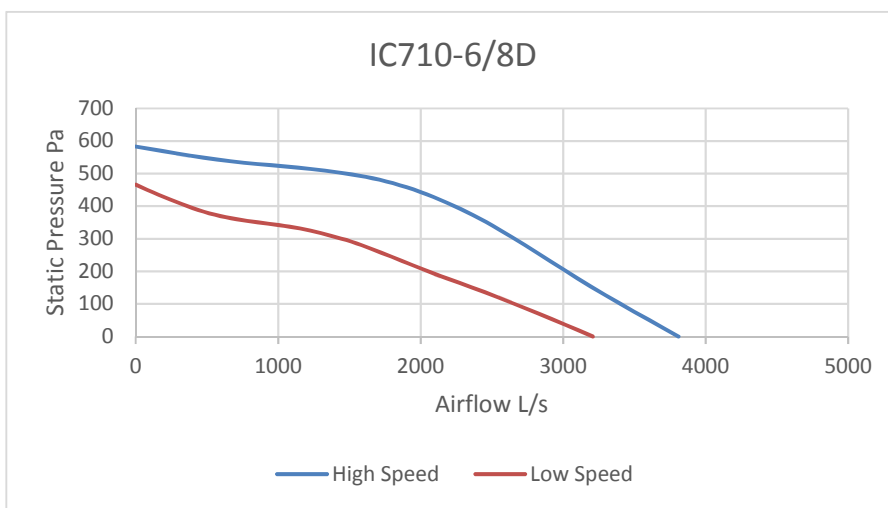
FAN FEATURES

- INLINE SQUARE BOX FAN CAPABLE OF HANDLING UP TO 3800 L/s.
- USED FOR COMMERCIAL KITCHEN APPLICATIONS AND GENERAL VENTILATION.
- WEATHER PROOF HOUSING.
- GALVANIZED STEEL CONSTRUCTION.
- SPEED CONTROLLABLE , VSD, STAR/DELTA SWITCH OR 5 STEP CONTROLLER
- SQUARE DUCT CONNECTION
- 3 PHASE MOTOR 2 SPEED STAR/DELTA
- FULL COMPLIANCE WITH AUSTRALIAN STANDARDS AIRFLOW TEST TO BS848 PART 1 & NOISE TEST TO BS848 PART 2

DIMENSIONS



PERFORMANCE



SOUND DATA

Model	Octave Band Frequency Lw db (A)								Lw dB (A)	SPL dB (A) @3m
	63	125	250	500	1K	2K	4K	8K		
IC710-6D	59	71	79	72	73	71	62	81	84	63
IC710-8D	61	63	66	68	66	62	71	64	76	55

TECHNICAL DATA

Fan Model	RPM	1 Phase KW	240V Amps	3 Phase KW	415V Amps	dba @3M
IC710-6D	910			2.1	4.1	63
IC710-8D	715			1.4	2.6	55



ECO DYNAMIC FANS PTY LTD

296 South Gippsland Hwy,
Dandenong South VIC 3175
P: 03 8578 5911

E: sales@ecodynamicfans.com.au
F: 03 8768 8529

www.ecodynamicfans.com.au

ROOF FANS

INLINE FANS

SQUARE & RING PLATE FANS

ACCESSORIES

INDEX



ICT400-4D

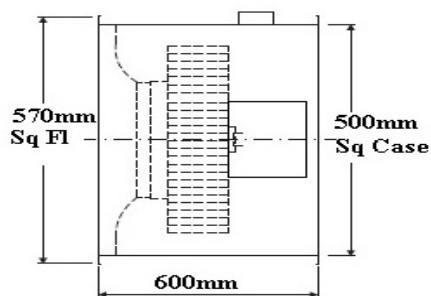
INLINE CENTRIFUGAL FAN TEFC



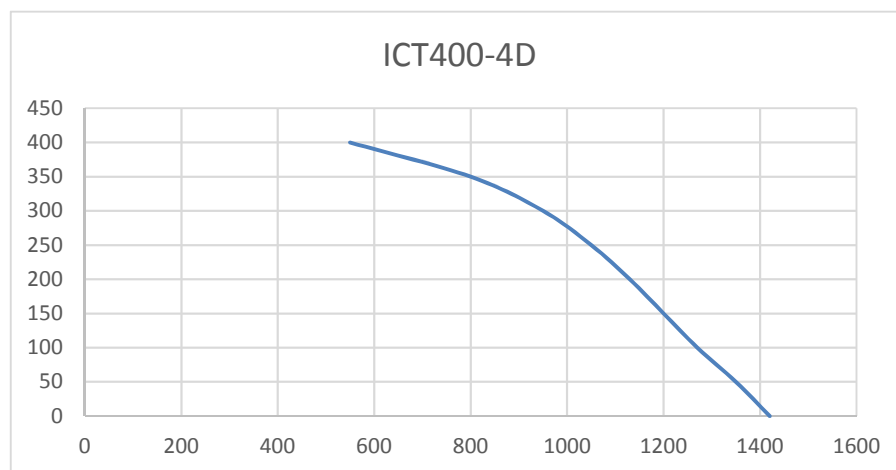
FAN FEATURES

- 400mm INLINE BOX FAN with TEFC Motor
- CAPABLE OF HANDLING UP TO 1400 L/s.
- USED FOR COMMERCIAL KITCHEN APPLICATIONS AND GENERAL VENTILATION.
- GALVANIZED STEEL CONSTRUCTION.
- SPEED CONTROLLABLE with VSD
- SQUARE FLANGE CONNECTION
- FULL COMPLIANCE WITH AUSTRALIAN STANDARDS AIRFLOW TEST TO BS848 PART 1 & NOISE TEST TO BS848 PART 2

DIMENSIONS



PERFORMANCE



SOUND DATA

Model	Octave Band Frequency Lw dB (A)								Lw dB (A)	SPL dB (A) @3m
	63	125	250	500	1K	2K	4K	8K		
ICT400-4D	63	70	74	71	70	67	63	57	75	54

TECHNICAL DATA

Fan Model	RPM	1 Phase KW	240V Amps	3 Phase KW	415V Amps	dba @3M
ICT400-4D	1400			0.55	1.26	54



**ECO DYNAMIC
FANS PTY LTD**

296 South Gippsland Hwy,
Dandenong South VIC 3175
P: 03 8578 5911
E: sales@ecodynamicfans.com.au
F: 03 8768 8529

www.ecodynamicfans.com.au



ICT450-4D

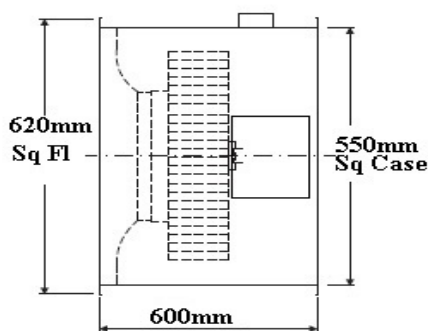
INLINE CENTRIFUGAL FAN TEFC



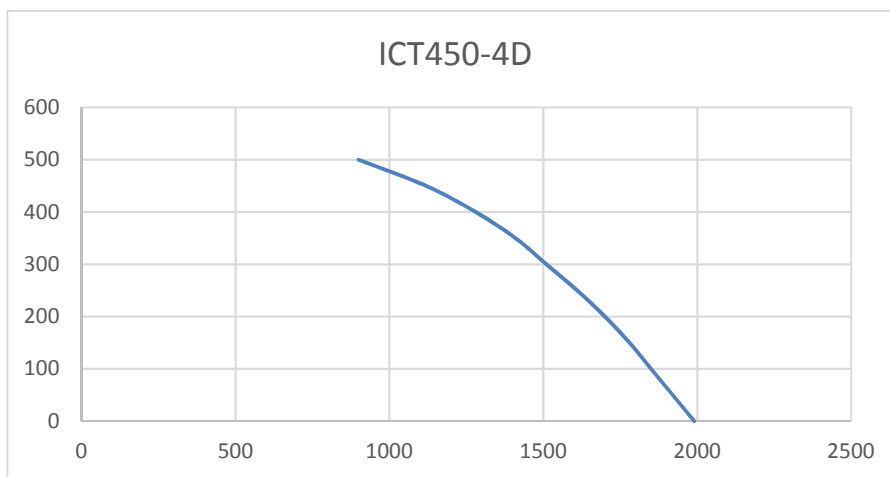
FAN FEATURES

- 450mm INLINE BOX FAN with TEFC Motor
- CAPABLE OF HANDLING UP TO 2000 L/s.
- USED FOR COMMERCIAL KITCHEN APPLICATIONS AND GENERAL VENTILATION.
- GALVINIZED STEEL CONSTRUCTION.
- SPEED CONTROLLABLE with VSD
- SQUARE FLANGE CONNECTION
- FULL COMPLIANCE WITH AUSTRALIAN STANDARDS AIRFLOW TEST TO BS848 PART 1 & NOISE TEST TO BS848 PART 2

DIMENSIONS



PERFORMANCE



SOUND DATA

Model	Octave Band Frequency Lw db (A)								Lw dB (A)	SPL dB (A) @3m
	63	125	250	500	1K	2K	4K	8K		
ICT450-4D	67	74	78	75	74	71	67	60	79	58

TECHNICAL DATA

Fan Model	RPM	1 Phase KW	240V Amps	3 Phase KW	415V Amps	dba @3M
ICT450-4D	1400			0.75	1.7	58



ECO DYNAMIC FANS PTY LTD

296 South Gippsland Hwy,
Dandenong South VIC 3175
P: 03 8578 5911

E: sales@ecodynamicfans.com.au
F: 03 8768 8529

www.ecodynamicfans.com.au

ROOF FANS

INLINE FANS

SQUARE & RING PLATE FANS

ACCESSORIES

INDEX



ICT500-4D

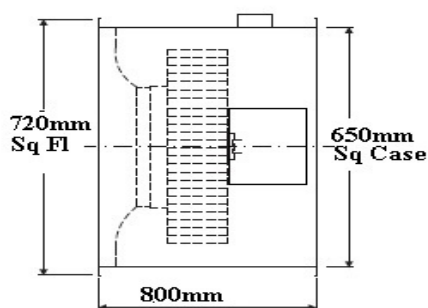
INLINE CENTRIFUGAL FAN TEFC



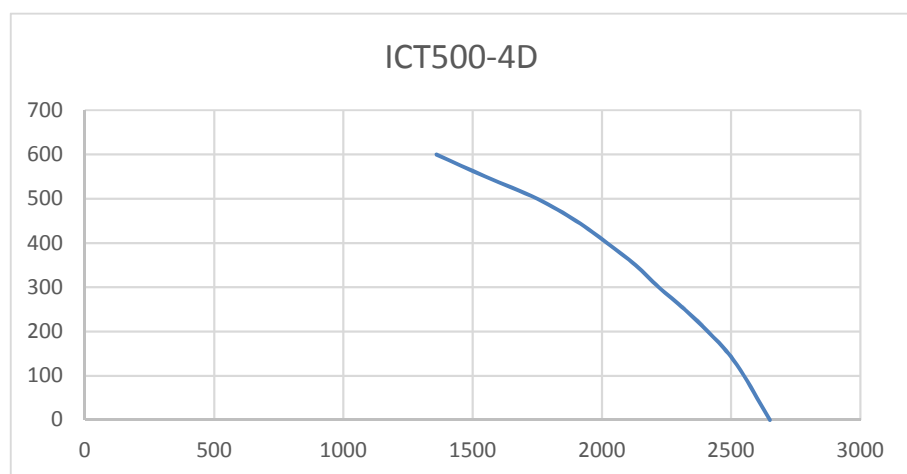
FAN FEATURES

- 500mm INLINE BOX FAN with TEFC Motor
- CAPABLE OF HANDLING UP TO 2700 L/s.
- USED FOR COMMERCIAL KITCHEN APPLICATIONS AND GENERAL VENTILATION.
- GALVANIZED STEEL CONSTRUCTION.
- SPEED CONTROLLABLE with VSD
- SQUARE FLANGE CONNECTION
- FULL COMPLIANCE WITH AUSTRALIAN STANDARDS AIRFLOW TEST TO BS848 PART 1 & NOISE TEST TO BS848 PART 2

DIMENSIONS



PERFORMANCE



SOUND DATA

Model	Octave Band Frequency Lw dB (A)								Lw dB (A)	SPL dB (A) @3m
	63	125	250	500	1K	2K	4K	8K		
ICT500-4D	71	76	81	76	75	72	68	61	80	59

TECHNICAL DATA

Fan Model	RPM	1 Phase KW	240V Amps	3 Phase KW	415V Amps	dba @3M
ICT500-4D	1400			1.5	3.19	59



ECO DYNAMIC FANS PTY LTD

www.ecodynamicfans.com.au

296 South Gippsland Hwy,
Dandenong South VIC 3175
P: 03 8578 5911

E: sales@ecodynamicfans.com.au
F: 03 8768 8529



ICT560-4D

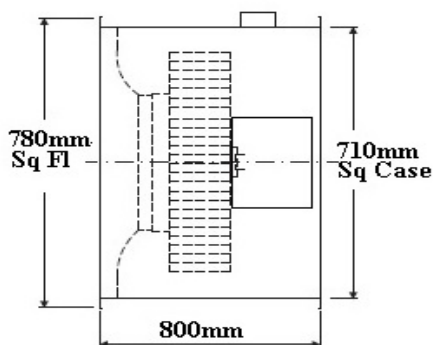
INLINE CENTRIFUGAL FAN TEFC



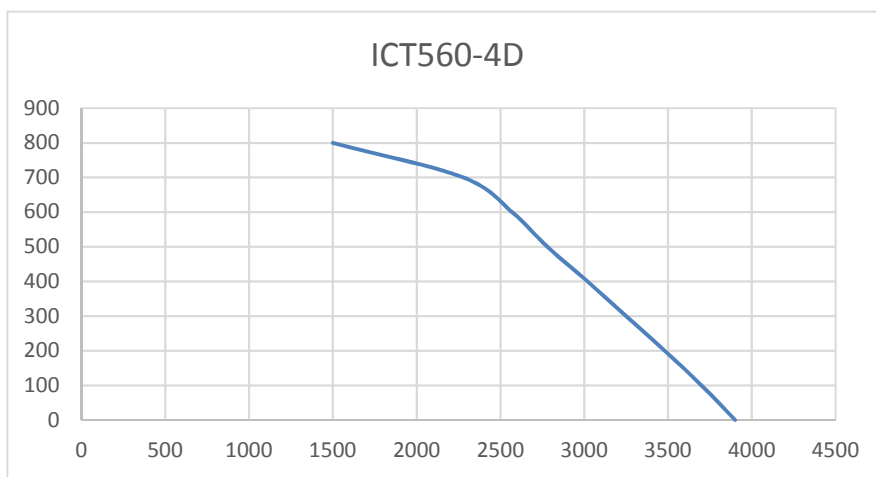
FAN FEATURES

- 560mm INLINE BOX FAN with TEFC Motor
- CAPABLE OF HANDLING UP TO 3800 L/s.
- USED FOR COMMERCIAL KITCHEN APPLICATIONS AND GENERAL VENTILATION.
- GALVANIZED STEEL CONSTRUCTION.
- SPEED CONTROLLABLE with VSD
- SQUARE FLANGE CONNECTION
- FULL COMPLIANCE WITH AUSTRALIAN STANDARDS AIRFLOW TEST TO BS848 PART 1 & NOISE TEST TO BS848 PART 2

DIMENSIONS



PERFORMANCE



SOUND DATA

Model	Octave Band Frequency Lw db (A)								Lw dB (A)	SPL dB (A) @3m
	63	125	250	500	1K	2K	4K	8K		
ICT560-4D	74	81	84	80	80	77	73	66	85	64

TECHNICAL DATA

Fan Model	RPM	1 Phase KW	240V Amps	3 Phase KW	415V Amps	dba @3M
ICT560-4D	1440			3.0	5.9	64



ECO DYNAMIC FANS PTY LTD

296 South Gippsland Hwy,
Dandenong South VIC 3175
P: 03 8578 5911

E: sales@ecodynamicfans.com.au
F: 03 8768 8529

www.ecodynamicfans.com.au

ROOF FANS

INLINE FANS

SQUARE & RING PLATE FANS

ACCESSORIES

INDEX



ICT630-6D

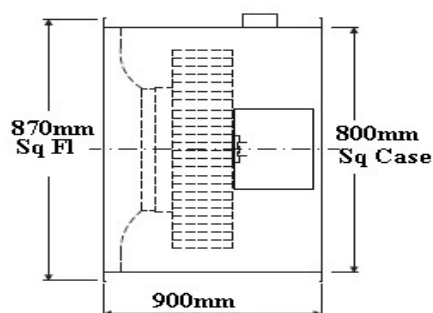
INLINE CENTRIFUGAL FAN TEFC



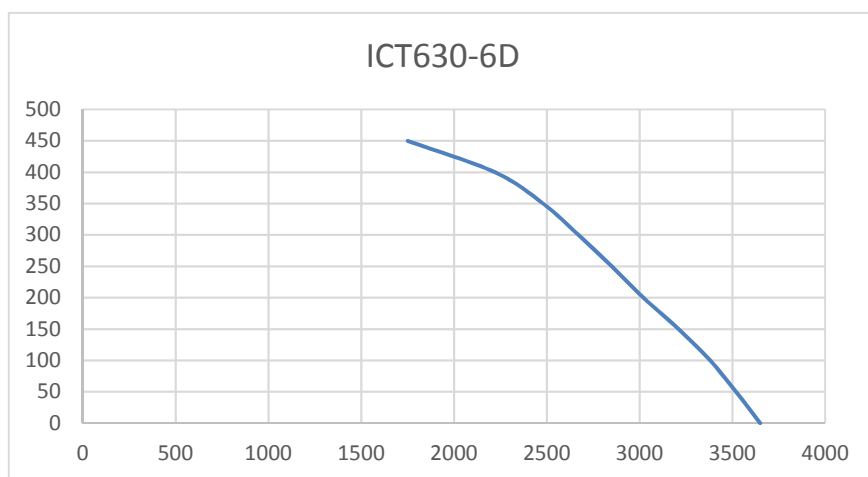
FAN FEATURES

- 630mm INLINE BOX FAN with TEFC Motor
- CAPABLE OF HANDLING UP TO 3600 L/s.
- USED FOR COMMERCIAL KITCHEN APPLICATIONS AND GENERAL VENTILATION.
- GALVANIZED STEEL CONSTRUCTION.
- SPEED CONTROLLABLE with VSD
- SQUARE FLANGE CONNECTION
- FULL COMPLIANCE WITH AUSTRALIAN STANDARDS AIRFLOW TEST TO BS848 PART 1 & NOISE TEST TO BS848 PART 2

DIMENSIONS



PERFORMANCE



SOUND DATA

Model	Octave Band Frequency Lw db (A)								Lw dB (A)	SPL dB (A) @3m
	63	125	250	500	1K	2K	4K	8K		
ICT630-6D	72	78	83	75	75	74	69	62	81	60

TECHNICAL DATA

Fan Model	RPM	1 Phase KW	240V Amps	3 Phase KW	415V Amps	dba @3M
ICT630-6D	960			2.2	4.83	60



**ECO DYNAMIC
FANS PTY LTD**

296 South Gippsland Hwy,
Dandenong South VIC 3175
P: 03 8578 5911
E: sales@ecodynamicfans.com.au
F: 03 8768 8529

www.ecodynamicfans.com.au



ICT710-6D

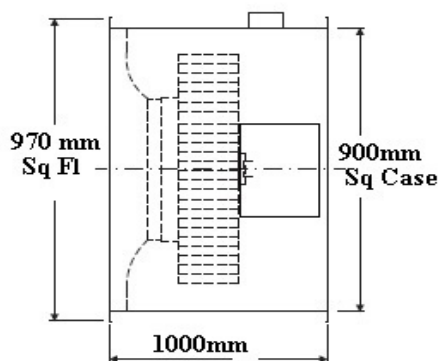
INLINE CENTRIFUGAL FAN TEFC



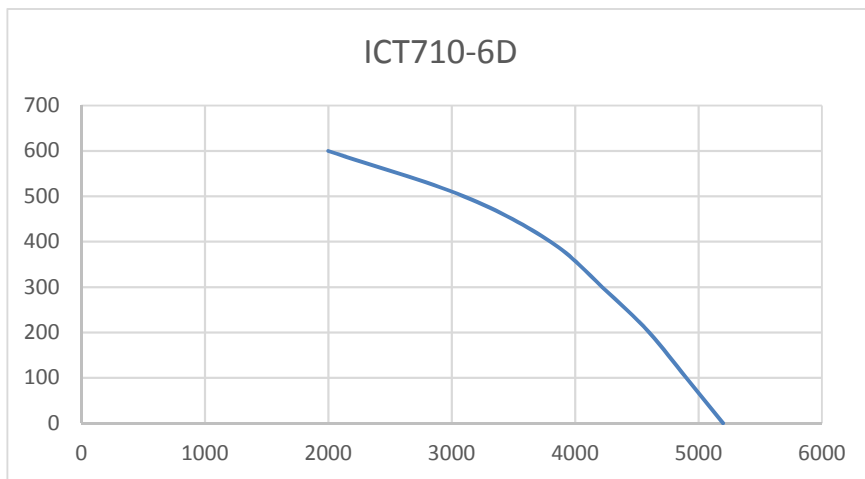
FAN FEATURES

- 710mm INLINE BOX FAN with TEFC Motor
- CAPABLE OF HANDLING UP TO 5000 L/s.
- USED FOR COMMERCIAL KITCHEN APPLICATIONS AND GENERAL VENTILATION.
- GALVINIZED STEEL CONSTRUCTION.
- SPEED CONTROLLABLE with VSD
- SQUARE FLANGE CONNECTION
- FULL COMPLIANCE WITH AUSTRALIAN STANDARDS AIRFLOW TEST TO BS848 PART 1 & NOISE TEST TO BS848 PART 2

DIMENSIONS



PERFORMANCE



SOUND DATA

Model	Octave Band Frequency Lw db (A)								Lw dB (A)	SPL dB (A) @3m
	63	125	250	500	1K	2K	4K	8K		
ICT710-6D	81	85	79	79	81	72	66	59	83	62

TECHNICAL DATA

Fan Model	RPM	1 Phase KW	240V Amps	3 Phase KW	415V Amps	dba @3M
ICT710-6D	960			3.0	6.47	62



ECO DYNAMIC FANS PTY LTD

296 South Gippsland Hwy,
Dandenong South VIC 3175

P: 03 8578 5911

E: sales@ecodynamicfans.com.au

F: 03 8768 8529

www.ecodynamicfans.com.au



IMF-150-2E

INLINE MIXED FLOW FANS



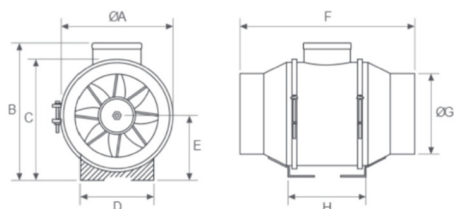
FAN FEATURES

- INLINE MIX FLOW FAN.
- CAPABLE OF HANDLING UP TO 165 L/s.
- USED FOR FOOD VANS APPLICATIONS AND GENERAL VENTILATION.
- ALL METAL CONSTRUCTION.
- SPEED CONTROLLABLE.
- EASY TO MAINTAIN
- FULL COMPLIANCE WITH AUSTRALIAN STANDARDS AIRFLOW TEST TO BS848 PART 1 & NOISE TEST TO BS848 PART 2

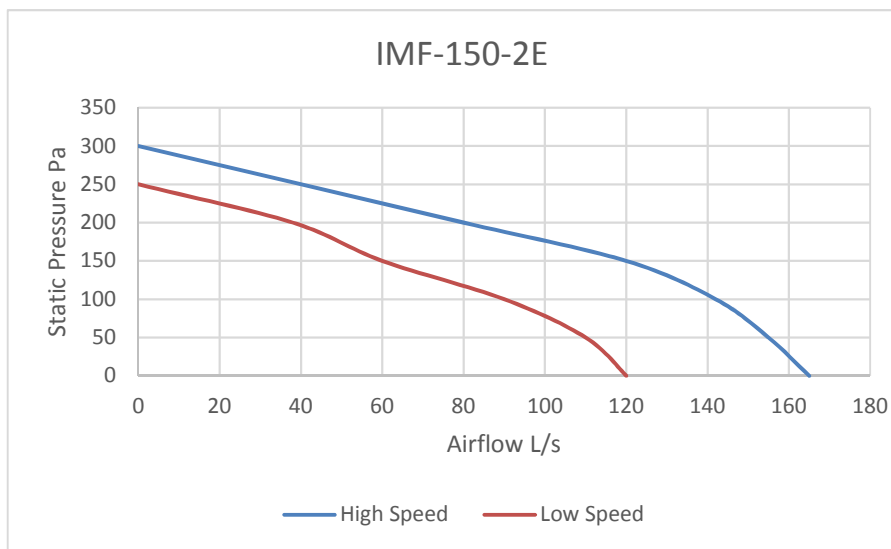
DIMENSIONS

ØA	B	C	D
147	242	213	130

E	F	ØG	H
114	319	146	142



PERFORMANCE



SOUND DATA

Model	Octave Band Frequency Lw db (A)								Lw dB (A)	SPL dB (A) @3m
	63	125	250	500	1K	2K	4K	8K		
IMF-150-2E High	50	47	48	44	41	39	32	25	54	33
IMF-150-2E Low	45	42	45	40	37	36	28	20	50	29

TECHNICAL DATA

Fan Model	RPM	1 Phase KW	240V Amps	3 Phase KW	415V Amps	dba @3M
IMF-150-2E High Speed	2500	0.05	0.22			33
IMF-150-2E Low Speed	1950	0.04	0.19			29



ECO DYNAMIC FANS PTY LTD

www.ecodynamicfans.com.au

296 South Gippsland Hwy,
Dandenong South VIC 3175

P: 03 8578 5911

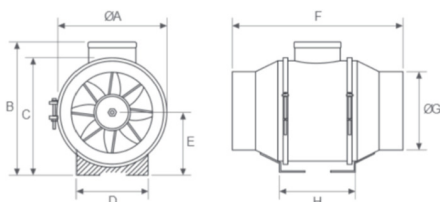
E: sales@ecodynamicfans.com.au

F: 03 8768 8529



IMF-200-2E

INLINE MIXED FLOW FANS



FAN FEATURES

- INLINE MIX FLOW FAN.
- CAPABLE OF HANDLING UP TO 240 L/s.
- USED FOR FOOD VANS APPLICATIONS AND GENERAL VENTILATION.
- ALL METAL CONSTRUCTION.
- SPEED CONTROLLABLE.
- EASY TO MAINTAIN
- FULL COMPLIANCE WITH AUSTRALIAN STANDARDS AIRFLOW TEST TO BS848 PART 1 & NOISE TEST TO BS848 PART 2

DIMENSIONS

ØA	B	C	D
197	247	212	94

E	F	ØG	H
124	302	198	120

PERFORMANCE



SOUND DATA

Model	Octave Band Frequency Lw db (A)								Lw dB (A)	SPL dB (A) @3m
	63	125	250	500	1K	2K	4K	8K		
IMF-200-2E High	28	49	52	62	66	52	56	49	68	47
IMF-200-2E Low	27	39	41	57	55	51	51	57	62	41

TECHNICAL DATA

Fan Model	RPM	1 Phase KW	240V Amps	3 Phase KW	415V Amps	dba @3M
IMF-200-2E High Speed	2450	0.128	0.57			47
IMF-200-2E Low Speed	1950	0.123	0.52			41



ECO DYNAMIC FANS PTY LTD

www.ecodynamicfans.com.au

296 South Gippsland Hwy,
Dandenong South VIC 3175

P: 03 8578 5911

E: sales@ecodynamicfans.com.au

F: 03 8768 8529

ROOF FANS

INLINE FANS

SQUARE & RING PLATE FANS

ACCESSORIES

INDEX

SQUARE & RING PLATE FANS



SPA | Square Plate Axial Fans77 - 83

ROOF FANS

INLINE FANS

SQUARE & RING PLATE FANS

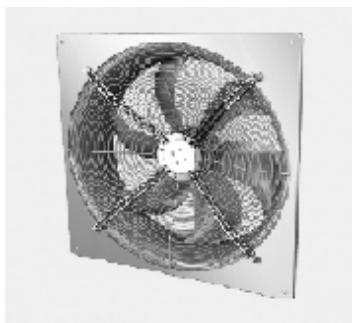


INDEX



SPA200-2E

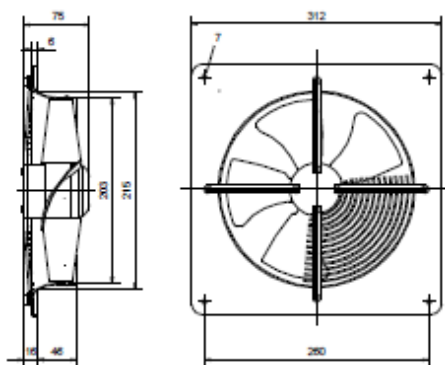
SQUARE PLATE AXIAL FANS



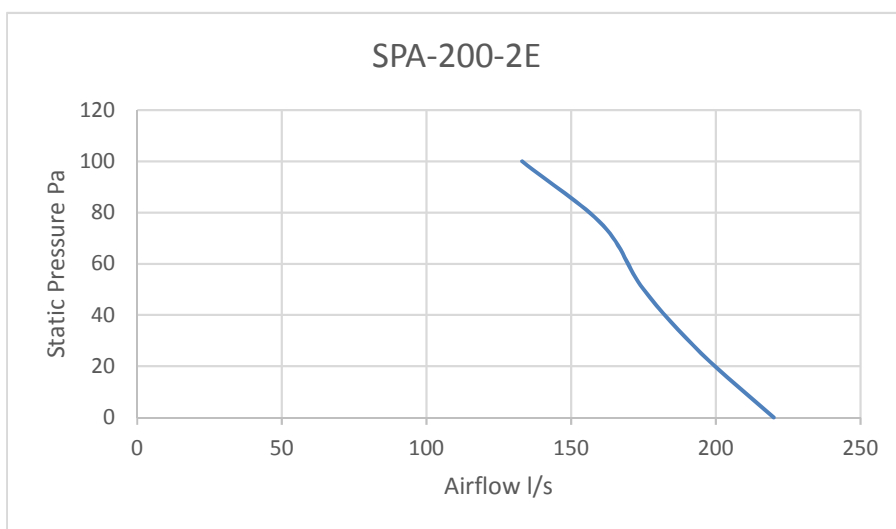
FAN FEATURES

- SQUARE PLATE AXIAL FAN, CAPABLE OF HANDLING UP TO 220 L/s.
- USED FOR TOILET EXHAUST AND GENERAL VENTILATION.
- SPEED CONTROLLABLE.
- CIRCULAR CONNECTION
- FULL COMPLIANCE WITH AUSTRALIAN STANDARDS AIRFLOW TEST TO BS848 PART 1 & NOISE TEST TO BS848 PART 2

DIMENSIONS



PERFORMANCE



SOUND DATA

Model	Octave Band Frequency Lw db (A)								Lw dB (A)	SPL dB (A) @3m
	63	125	250	500	1K	2K	4K	8K		
SPA200-2E		42	55	58	60	61	58	51	66	44

TECHNICAL DATA

Fan Model	RPM	1 Phase KW	240V Amps	3 Phase KW	415V Amps	dba @3M
SPA-200-2E	2550	0.07	0.30			44



ECO DYNAMIC FANS PTY LTD

www.ecodynamicfans.com.au

296 South Gippsland Hwy,
Dandenong South VIC 3175
P: 03 8578 5911
E: sales@ecodynamicfans.com.au
F: 03 8768 8529

ROOF FANS

INLINE FANS

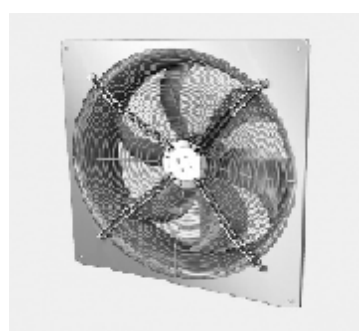
SQUARE & RING PLATE FANS

INDEX



SPA200-4E

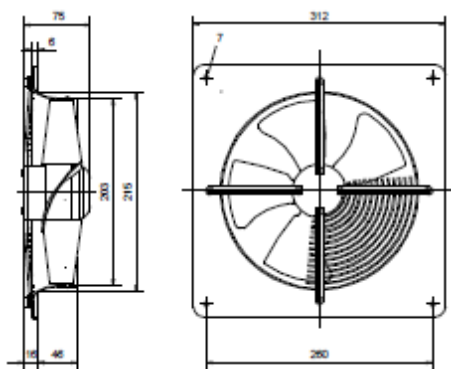
SQUARE PLATE AXIAL FANS



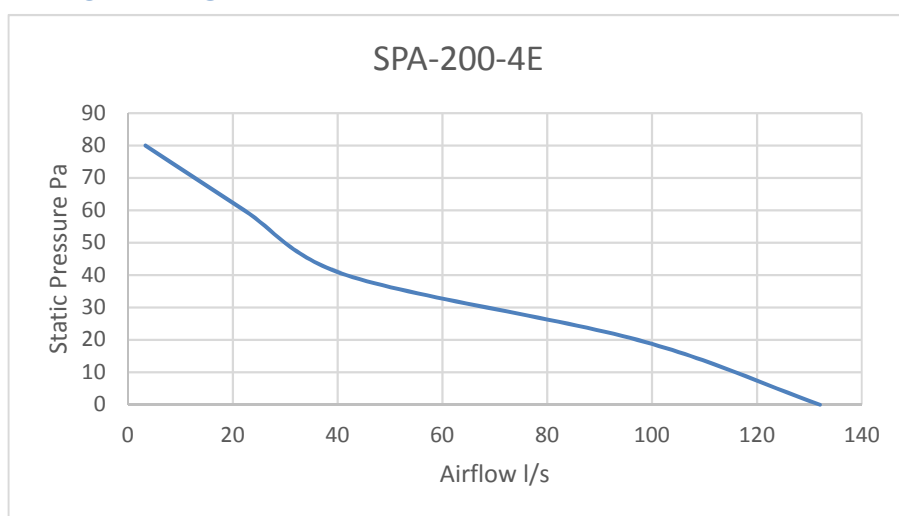
FAN FEATURES

- SQUARE PLATE AXIAL FAN. CAPABLE OF HANDLING UP TO 132 L/s.
- USED FOR TOILET EXHAUST AND GENERAL VENTILATION.
- SPEED CONTROLLABLE.
- CIRCULAR CONNECTION
- FULL COMPLIANCE WITH AUSTRALIAN STANDARDS AIRFLOW TEST TO BS848 PART 1 & NOISE TEST TO BS848 PART 2

DIMENSIONS



PERFORMANCE



SOUND DATA

Model	Octave Band Frequency Lw db (A)								Lw dB (A)	SPL dB (A) @3m
	63	125	250	500	1K	2K	4K	8K		
SPA200-4E		35	38	44	45	44	39	27	49	28

TECHNICAL DATA

Fan Model	RPM	1 Phase KW	240V Amps	3 Phase KW	415V Amps	dba @3M
SPA-200-4E	1390	0.032	0.15			28



ECO DYNAMIC FANS PTY LTD

www.ecodynamicfans.com.au

296 South Gippsland Hwy,
Dandenong South VIC 3175

P: 03 8578 5911

E: sales@ecodynamicfans.com.au

F: 03 8768 8529



SPA250-2E

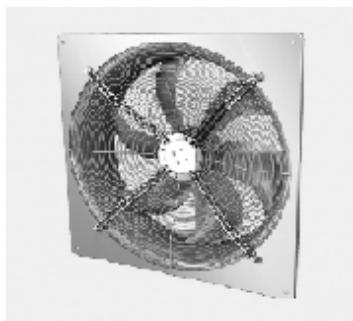
SQUARE PLATE AXIAL FANS

ROOF FANS

INLINE FANS

SQUARE & RING PLATE FANS

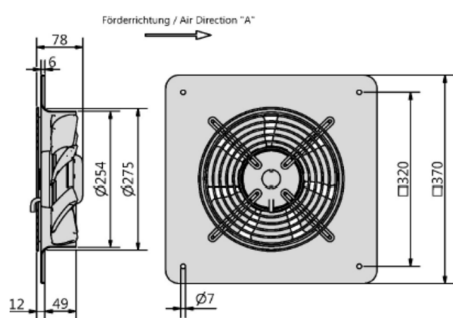
INDEX



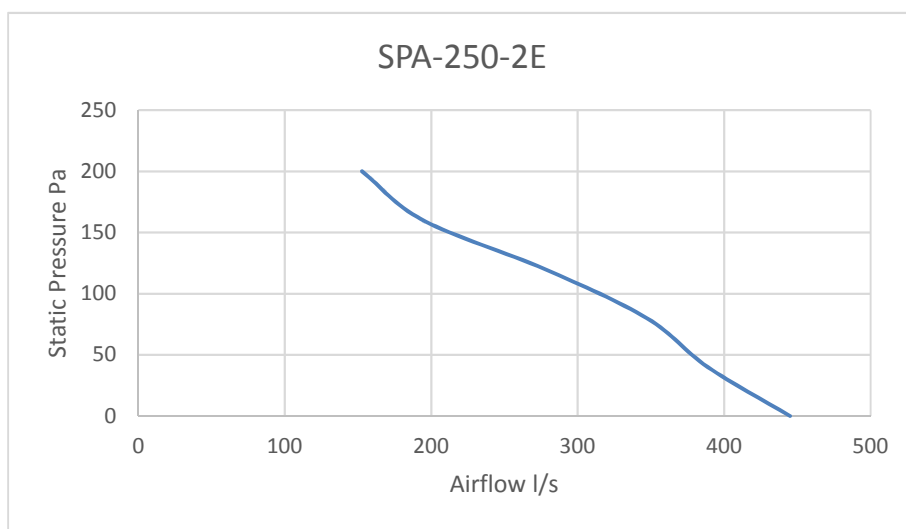
FAN FEATURES

- SQUARE PLATE AXIAL FAN. CAPABLE OF HANDLING UP TO 445 L/s.
- USED FOR TOILET EXHAUST AND GENERAL VENTILATION.
- SPEED CONTROLLABLE.
- CIRCULAR CONNECTION
- FULL COMPLIANCE WITH AUSTRALIAN STANDARDS AIRFLOW TEST TO BS848 PART 1 & NOISE TEST TO BS848 PART 2

DIMENSIONS



PERFORMANCE



SOUND DATA

Model	Octave Band Frequency Lw db (A)								Lw dB (A)	SPL dB (A) @3m
	63	125	250	500	1K	2K	4K	8K		
SPA250-2E		46	62	68	67	66	64	57	73	51

TECHNICAL DATA

Fan Model	RPM	1 Phase KW	240V Amps	3 Phase KW	415V Amps	dba @3M
SPA250-2E	2650	0.123	0.54			51



ECO DYNAMIC FANS PTY LTD

296 South Gippsland Hwy,
Dandenong South VIC 3175

P: 03 8578 5911

E: sales@ecodynamicfans.com.au

F: 03 8768 8529

www.ecodynamicfans.com.au



SPA250-4E

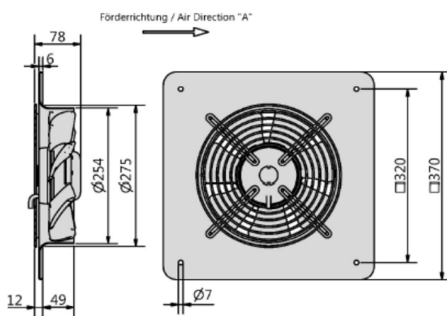
SQUARE PLATE AXIAL FANS



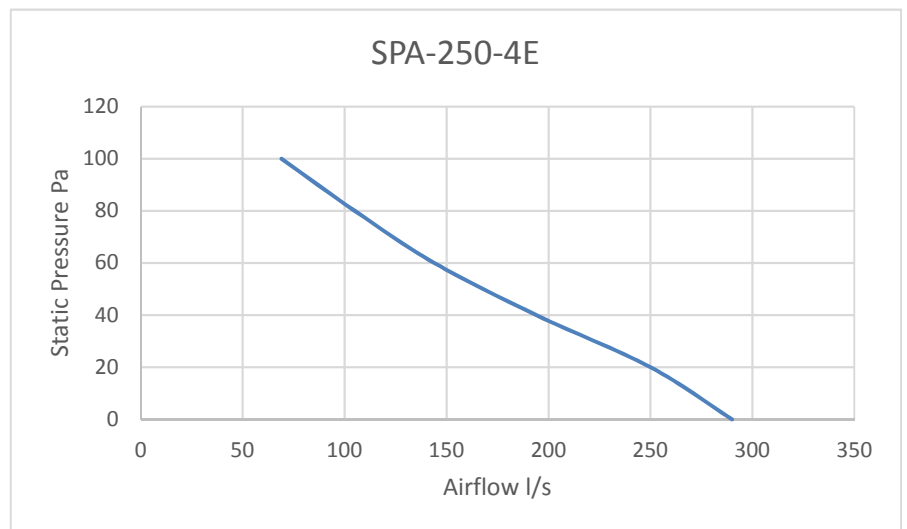
FAN FEATURES

- SQUARE PLATE AXIAL FAN, CAPABLE OF HANDLING UP TO 290 L/s.
- USED FOR TOILET EXHAUST AND GENERAL VENTILATION.
- SPEED CONTROLLABLE.
- CIRCULAR CONNECTION
- FULL COMPLIANCE WITH AUSTRALIAN STANDARDS AIRFLOW TEST TO BS848 PART 1 & NOISE TEST TO BS848 PART 2

DIMENSIONS



PERFORMANCE



SOUND DATA

Model	Octave Band Frequency Lw db (A)								Lw dB (A)	SPL dB (A) @3m
	63	125	250	500	1K	2K	4K	8K		
SPA250-4E		41	47	50	51	52	47	36	57	36

TECHNICAL DATA

Fan Model	RPM	1 Phase KW	240V Amps	3 Phase KW	415V Amps	dba @3M
SPA250-4E	1315	0.054	0.25			36



ECO DYNAMIC FANS PTY LTD

www.ecodynamicfans.com.au

296 South Gippsland Hwy,
Dandenong South VIC 3175

P: 03 8578 5911

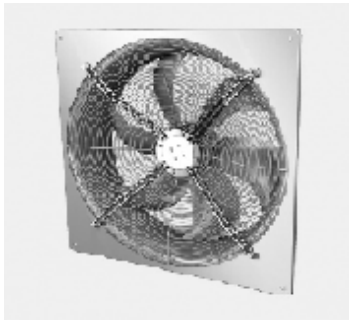
E: sales@ecodynamicfans.com.au

F: 03 8768 8529



SPA300-2E

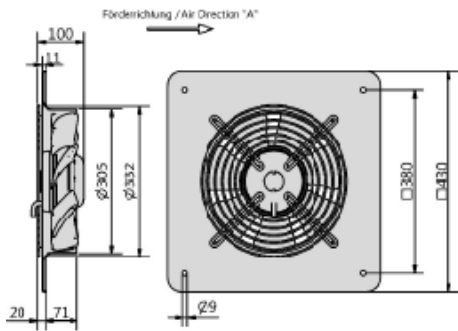
SQUARE PLATE AXIAL FANS



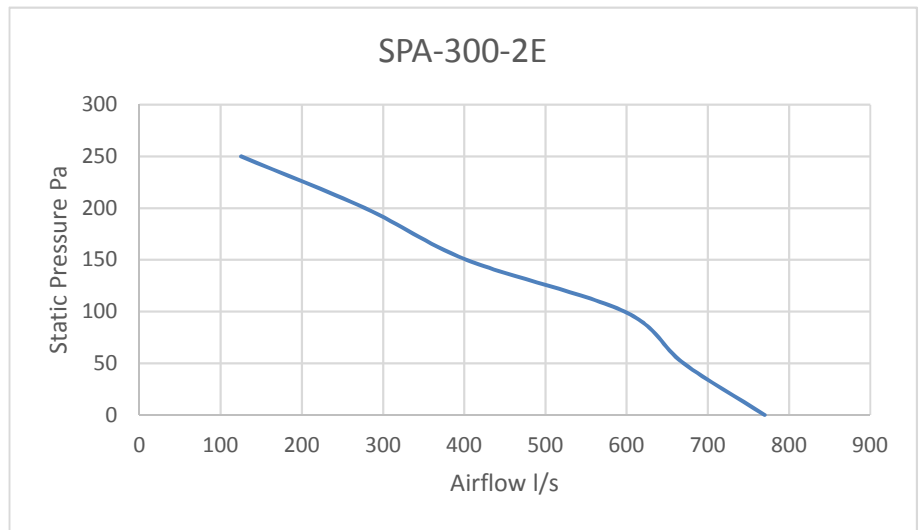
FAN FEATURES

- SQUARE PLATE AXIAL FAN, CAPABLE OF HANDLING UP TO 780 L/s.
- USED FOR TOILET EXHAUST AND GENERAL VENTILATION.
- SPEED CONTROLLABLE.
- CIRCULAR CONNECTION
- FULL COMPLIANCE WITH AUSTRALIAN STANDARDS AIRFLOW TEST TO BS848 PART 1 & NOISE TEST TO BS848 PART 2

DIMENSIONS



PERFORMANCE



SOUND DATA

Model	Octave Band Frequency Lw db (A)								Lw dB (A)	SPL dB (A) @3m
	63	125	250	500	1K	2K	4K	8K		
SPA300-2E		55	64	74	73	73	70	62	79	58

TECHNICAL DATA

Fan Model	RPM	1 Phase KW	240V Amps	3 Phase KW	415V Amps	dba @3M
SPA300-2E	2505	0.21	0.9			58



ECO DYNAMIC FANS PTY LTD

www.ecodynamicfans.com.au

296 South Gippsland Hwy,
Dandenong South VIC 3175

P: 03 8578 5911

E: sales@ecodynamicfans.com.au

F: 03 8768 8529

ROOF FANS

INLINE FANS

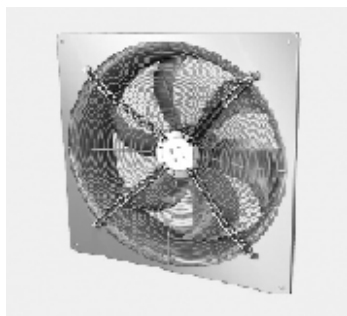
SQUARE & RING PLATE FANS

INDEX



SPA300-4E

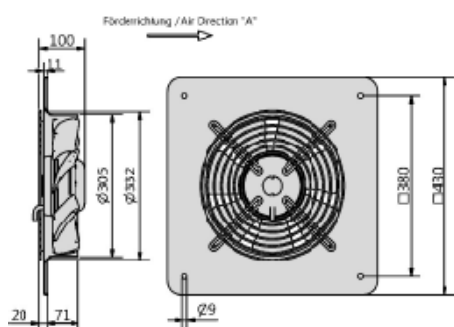
SQUARE PLATE AXIAL FANS



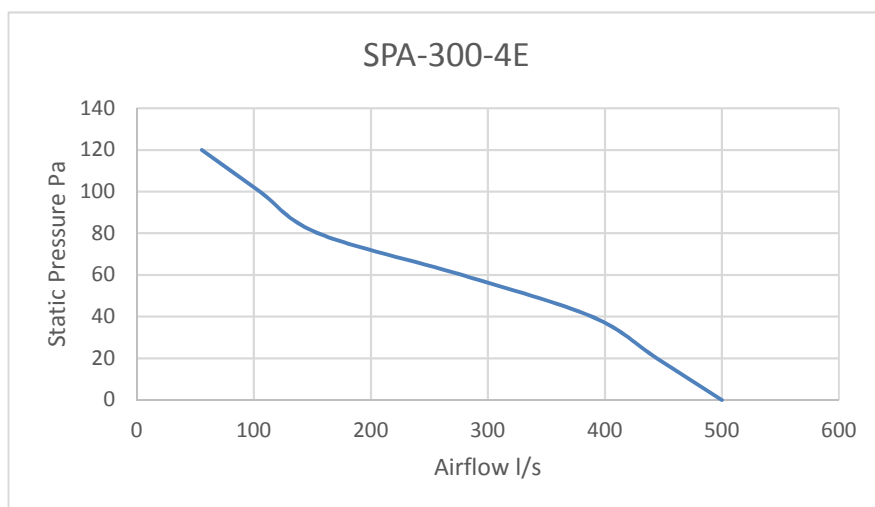
FAN FEATURES

- SQUARE PLATE AXIAL FAN. CAPABLE OF HANDLING UP TO 500 L/s.
- USED FOR TOILET EXHAUST AND GENERAL VENTILATION.
- SPEED CONTROLLABLE.
- CIRCULAR CONNECTION
- FULL COMPLIANCE WITH AUSTRALIAN STANDARDS AIRFLOW TEST TO BS848 PART 1 & NOISE TEST TO BS848 PART 2

DIMENSIONS



PERFORMANCE



SOUND DATA

Model	Octave Band Frequency Lw db (A)								Lw dB (A)	SPL dB (A) @3m
	63	125	250	500	1K	2K	4K	8K		
SPA300-4E		46	53	54	55	55	51	39	60	39

TECHNICAL DATA

Fan Model	RPM	1 Phase KW	240V Amps	3 Phase KW	415V Amps	dba @3M
SPA300-4E	1280	0.096	0.43			39



ECO DYNAMIC FANS PTY LTD

296 South Gippsland Hwy,
Dandenong South VIC 3175

P: 03 8578 5911

E: sales@ecodynamicfans.com.au

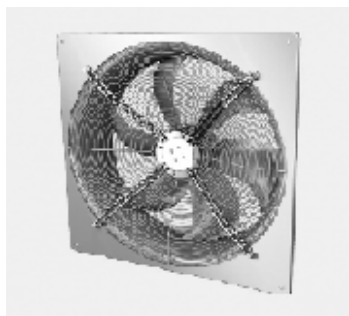
F: 03 8768 8529

www.ecodynamicfans.com.au



SPA350-4E

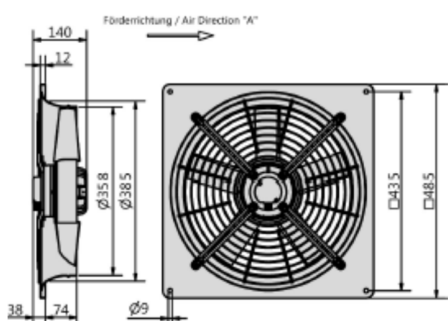
SQUARE PLATE AXIAL FANS



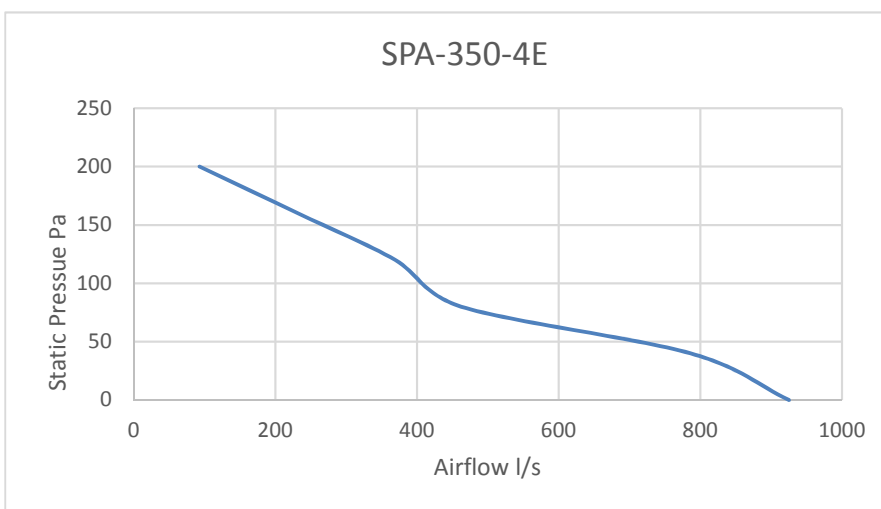
FAN FEATURES

- SQUARE PLATE AXIAL FAN. CAPABLE OF HANDLING UP TO 925 L/s.
- USED FOR TOILET EXHAUST AND GENERAL VENTILATION.
- SPEED CONTROLLABLE.
- CIRCULAR CONNECTION
- FULL COMPLIANCE WITH AUSTRALIAN STANDARDS AIRFLOW TEST TO BS848 PART 1 & NOISE TEST TO BS848 PART 2

DIMENSIONS



PERFORMANCE



SOUND DATA

Model	Octave Band Frequency Lw db (A)								Lw dB (A)	SPL dB (A) @3m
	63	125	250	500	1K	2K	4K	8K		
SPA350-4E		48	56	62	64	65	63	54	69	48

TECHNICAL DATA

Fan Model	RPM	1 Phase KW	240V Amps	3 Phase KW	415V Amps	dba @3M
SPA350-4E	1385	0.16	0.76			48



ECO DYNAMIC FANS PTY LTD

296 South Gippsland Hwy,
Dandenong South VIC 3175

P: 03 8578 5911

E: sales@ecodynamicfans.com.au

F: 03 8768 8529

www.ecodynamicfans.com.au

ROOF FANS

INLINE FANS

SQUARE & RING PLATE FANS

INDEX

INDEX

Credit Application85 - 88

Terms And Conditions..... 89

ROOF FANS

INLINE FANS

SQUARE & RING PLATE FANS



INDEX

CREDIT ACCOUNT APPLICATION FORM

WWW.ECODYNAMICFANS.COM.AU

ECO DYNAMIC FANS PTY LTD

ABN 84 618 660 334

296-298 South Gippsland Hwy, Dandenong South, Vic 3175

Ph: 03 8578 5911

Section 1 – Applicant’s Details					
Name (Company name/Partnership/Sole Trader)				ACN	
Trust Name (if a Trust)					
Trading as (Registered Business Name)				ABN	
Nature of Business					
Date of Incorporation / Date Commenced Trading					
Street Address (not a PO Box)					
Postal Address (if different)					
Tel. No:			Fax No. for invoices:		
Mobile No:			E-mail for invoices:		
Section 2 – Director, Partner, Sole Trader or Trustee Details					
	Names of Directors, Partners, Sole Trader or Trustee (“Guarantors”)	Residential Address	Phone no.	Driver Licence No.	Date of Birth (dd/mm/yy)
1					
2					
3					
Section 3 – Credit limit sought					
\$					
Section 4 – Trade References & Other Information					
	Company or Business Name	Contact Person	Address, Telephone, Fax & E-mail details		
1					
2					
3					
4					

TERMS OF CREDIT ACCOUNT

In applying for a credit account, the Applicant and the individuals named in section 2 of the credit account application form ("the Guarantors"):

- (a) agree that if a credit account is granted by Eco Dynamic Fans Pty Ltd. ("EDF"), the Applicant and the Guarantors will be bound by the terms of this document (including the guarantees and indemnities contained in clause 2(e) below);
- (b) warrant that all information they have provided in this credit account application, and all documents they have provided to EDF in support thereof, are true and correct and they have no reason to believe that the Applicant is or may become insolvent or is otherwise unable to pay its debts as when they fall due;
- (c) acknowledge that EDF is relying upon the warranty in clause 1(b) above in giving consideration to granting a credit account and, if applicable, granting a credit account;
- (d) consent to EDF giving to, and or seeking from, any credit provider, credit reporting organisation or trade reference listed in this application, information concerning their credit worthiness, standing, history or capacity, whether now in assessing this application, or from time to time in the future. The Applicant and the Guarantors further consent to EDF being entitled to make an entry on any register maintained by a credit reporting organisation to record a payment default if any amount payable by the Applicant and or the Guarantors remains unpaid for more than 60 days after the amount is due.

If EDF grants a credit account, the Applicant and the Guarantors, in consideration of EDF of agreeing to do so, hereby agree to be bound by the following terms and conditions:

- (a) The Applicant and the Guarantors have read and understood EDF's 'Terms and Conditions of Sale' attached to this application ("the Terms") and agree to be bound by the Terms (as amended by this document) as if the Terms were repeated in this document in full and on each occasion that the Applicant places an order for Products (as defined in the Terms);
- (b) The Applicant (being the 'Buyer' under the Terms) must pay EDF's invoices in full within agreed payment terms;
- (c) By placing any orders for Products (as defined in the Terms) with EDF from time to time, the Applicant and the Guarantors are undertaking to EDF that the Applicant has the capacity to pay for the Products EDF delivers to the Applicant pursuant to such orders and acknowledge that EDF is relying upon this undertaking to deliver the Products;
- (d) EDF may withdraw its agreement to grant this credit account to the Applicant at any time and for any reason;
- (e) The Guarantors hereby jointly and severally:
 - (i) guarantee that the Applicant will perform all its obligations under the Terms and under this document;
 - (ii) guarantee and agree to pay on demand any amount, without deduction or setoff, which EDF is entitled to recover from the Applicant under the Terms or this document;
 - (iii) indemnify EDF against all loss resulting from EDF having entered into the Terms and this document with the Applicant whether from the Applicant's failure to perform its obligations under the Terms or this document or from the Terms or this document being or becoming unenforceable against the Applicant;
 - (iv) agree that their liability under this document is continuing and will not be affected by EDF granting the Applicant or a single Guarantor time or any other indulgence or by a Guarantor failing to sign this document;
 - (v) charge for the due and punctual payment and performance of their obligations and liabilities under this document, all of their legal and equitable interest (including as beneficial owner, both present and future) of whatsoever nature held in any and all real property in favour of EDF and agree:
 - (A) that EDF may lodge a caveat/s on any such real property notifying its interest;
 - (B) to sign all such documents and do all such things as may be required by DCE to register a mortgage security over any real property (and in the event that the Guarantor(s) fail to deliver the requested documents, the Guarantor(s) hereby appoints EDF to be the Guarantor's (s') lawful attorney for the purpose of executing and registering such documents);
 - (vi) acknowledge that they have requested EDF to supply the Applicant with Products on credit in accordance with the Terms and this document.

Executed as a Deed

By the Applicant

If the Applicant is a partnership, all partners must sign.

If the Applicant is a company (including a trustee of a trust), the director of a sole director company must sign, and if there are two or more directors, then two directors (or one and the secretary) must sign.

If the Applicant is a trust, then the trustee hereby acknowledges that it signs this document in its/his own capacity and as trustee of that trust.

Signatory		Witness	
Name		Name	
Address		Address	
Signature		Signature	
Date		Date	

Signatory		Witness	
Name		Name	
Address		Address	
Signature		Signature	
Date		Date	

By the Guarantors

By signing below as guarantors, I/we certify that I/we understand the terms of this document and in particular, that if the Applicant fails to make the required payments to EDF, EDF may recover the amount of these payments from me/us personally and that EDF may exercise a charge over my/our real property to secure payment

Guarantor		Witness	
Name		Name	
Address		Address	
Signature		Signature	
Date		Date	

Guarantor		Witness	
Name		Name	
Address		Address	
Signature		Signature	
Date		Date	
Guarantor		Witness	
Name		Name	
Address		Address	
Signature		Signature	
Date		Date	
Guarantor		Witness	
Name		Name	
Address		Address	
Signature		Signature	
Date		Date	

For office use only (please retain references with account forms)

Date Received: _____

Credit Limit: \$ _____

Authorised By: _____

Account No.: _____

Rejected By: _____

Terms: _____

Comments:

TERMS AND CONDITIONS OF SALE

1. INTERPRETATION

In these terms and conditions:

- 1.1 “**Products**” means the good(s) (whether ‘made-to-order’ or customised goods manufactured by the Seller, ‘off-the-shelf’ or standard goods manufactured by the Seller or a 3rd party, and / or new or used goods) and or service(s) described overleaf.
- 1.2 “**Seller**” means ECO DYNAMIC FANS PTY LTD (A.B.N 84 618 660 334).
- 1.3 “**Buyer**” means the purchaser of the Products specified overleaf

2. APPLICABILITY OF THESE TERMS AND CONDITIONS

- 2.1 These terms and conditions apply to all sales of Products by the Seller to the Buyer and constitute all the terms agreed between them to the exclusion of all other terms and conditions. Any conditions contained in any order or other document submitted by the Buyer are hereby expressly excluded.
- 2.2 The descriptions, illustrations and performances contained in the Seller’s catalogues, price lists and other advertising matter do not form part of the contract of sale of the Products or of the description applied to the Products. The Buyer accepts all responsibility for ensuring that the Products it selects at the time of purchase are fit for their intended purpose and releases the Seller from any responsibility over recommendations made by the Seller at or before the time of purchase.

3. PRICE AND PAYMENT

- 3.1 Prices quoted by the Seller are ex-Seller’s premises exclusive of GST and are subject to change at any time without notice and are not binding on the Seller.
- 3.2 Payment of the price of the Products (plus any applicable freight or delivery charges and GST and any other taxes, duties or imposts) must be made in clear funds at the times and in the manner described overleaf and in all cases must be fully made prior to delivery, installation or collection (unless otherwise agreed in writing by the Seller). If payment of a deposit is indicated as being required overleaf, the deposit shall be non-refundable to the extent permitted by law.
- 3.3 If the Buyer has an approved credit account with the Seller, the Products supplied must be paid for within the approved credit terms. Where the Buyer is overdue with any payment of any approved credit account, the Seller (without prejudice to its other rights) reserves the right to change the Buyer to a ‘cash on delivery’ (“COD”) 6.1 account or to cease supplying further Products to the Buyer.
- 3.4 Without prejudice to any other remedy, the Seller reserves the right to charge interest on any overdue invoices at an annual rate prescribed from time to time under section 2 of the *Penalty Interest Rates Act 1983*.
- 3.5 In the event of default of payment when due, all costs of collection, including legal fees and court costs, shall be paid by the buyer.

4. SHIPPING AND DELIVERY

- 4.1 Whilst the Seller will use all reasonable endeavours to meet proposed delivery times, the delivery times made known to the Buyer are estimates only given in good faith and the Seller is not liable for late delivery or non-delivery. The Seller is not liable for any loss, damage or delay (including consequential losses) occasioned to the Buyer or its customers arising from late or non-delivery or late installation of the Products.
- 4.2 Unless otherwise agreed in writing by the Seller, delivery terms shall be ex-Seller’s premises.
- 4.3 The Seller is not responsible to the Buyer or any person claiming through the Buyer for any loss or damage to the Products in transit caused by any event of any kind by any person (whether or not the Seller is legally responsible for the person who caused or contributed to that loss or damage). The Products are at the risk of the 6.2 Buyer as soon as they are dispatched or collected from the Seller’s premises.

5. RETENTION OF TITLE & PPSA

- 5.1 This clause 5 applies to any good(s) forming part of the sale of the Products described overleaf and or to any good(s) forming part of the sale of any Products by the Seller to the Buyer in the future (“the Goods”).
- 5.2 Ownership of, or title in, the Goods remains with the Seller and will not pass to the Buyer until the Buyer has paid the Seller in full for the Products under all individual 6.3 contracts for the supply of Products between the Seller and the Buyer, and the Buyer has discharged all outstanding indebtedness under these terms and conditions, whether in respect of the Products or otherwise, to the Seller.
- 5.3 Until the Goods are sold or otherwise used by the Buyer in the ordinary course of the Buyer’s business, the Buyer must keep the Goods safe and clearly designate the Goods as the property of the Seller. If the Goods are sold or otherwise used, altered or comingled with other goods by the Buyer, then the proceeds of sale of each item of the Goods must be held by the Buyer in a separate fund on trust for the Seller and the Buyer must account to the Seller for such proceeds. The Buyer hereby irrevocably grants the Seller the right to enter the Seller’s premises or vehicles to inspect the Goods and retake possession of any Goods and otherwise exercise any rights in relation to the Goods conferred by common law, statute or contract.

5.4 PPSA

- 5.4.1 In this clause 5.4:
 - (i) PPSA means the Personal Property Securities Act 2009 (Cth) as amended from time to time;
 - (ii) a term used in this clause 5.4 has the same meaning as in the PPSA.
- 5.4.2 In consideration of the Seller supplying the Goods to the Buyer at the request of the Buyer, the Buyer:
 - (i) grants to the Seller, at the Seller’s discretion, a security interest or purchase money security interest (PMSI) in the Goods;
 - (ii) agrees that any of the Goods or proceeds of sale of the Goods coming into existence after the date of these terms and conditions or the date of this invoice (as the case may be) will come into existence subject to the security 8.3 interest or PMSI granted in these terms and conditions without the need for any further action or agreement by any party;

- (iii) agrees that the Buyer has received valuable consideration from the Seller and that such consideration is sufficient;
- (iv) agrees that the security interest or PMSI has attached or will attach to all Goods supplied now or in the future to the Buyer when the Buyer takes possession of the Goods and that the attachment of the security interest or PMSI has not in any way been deferred or postponed from the date of these terms and conditions or the date of this invoice (as the case may be).
- 5.4.3 The Seller may, by notice to the Buyer at any time, require the Buyer to take all steps that the Seller considers necessary or desirable to:
 - (i) ensure that these terms and conditions or any security interest or PMSI arising under them, are enforceable against the Buyer or any third party;
 - (ii) protect, perfect, record, or better secure the position of the Seller under these terms and conditions as a first ranking security.
- 5.4.4 The Seller reserves the right to register a financing statement in respect of any Goods supplied by the Seller to the Buyer under these terms.
- 5.4.5 The cost and expense of registering a financing statement or a financing change statement is to be paid by the Buyer and may, where applicable, be debited against the Buyer’s credit account with the Seller or included in this invoice as a separate charge.
- 5.4.6 The Buyer:
 - (i) waives the right to receive a copy of any notice, verification statement confirming registration of a financing statement or a financing change statement relating to the security interest or PMSI under these terms and conditions, unless the notice or statement is required by law and cannot be excluded;
 - (ii) agrees to comply with any notice from the Seller under this clause 5.4 at the Buyer’s cost and expense.
- 5.4.7 The Buyer agrees:
 - (i) not to allow any person to register a financing statement over any of the Goods supplied by the Seller without the prior written consent of the Seller;
 - (ii) that it must immediately notify the Seller if it becomes aware of any person taking steps to register a financing statement in relation to the Goods.

6. WARRANTY

- To the extent permitted by law, the Seller’s liability for a breach of any express and implied warranties, guarantees and conditions under statute or general law (including but not limited to a breach of a guarantee implied by Division 1 of Part 3-2 of the Australian Consumer Law) in relation to any Products manufactured by the Seller is limited to making good any defects by repairing the defects or at the Seller’s option by replacement, within a period not exceeding:
 - (a) in the case of new Products - twelve (12) calendar months;
 - (b) in the case of used Products - three (3) calendar months,
 after the earlier of: The Products being dispatched to/collected by the Buyer; and the date of the Seller’s invoice for the Products, and so long as:
 - (i) defects have arisen solely from faulty materials or workmanship;
 - (ii) the Products have not received maltreatment, inattention or interference and have been used, serviced and maintained by the Buyer in accordance with the Seller’s specifications and recommendations;
 - (iii) accessories of any kind used by the Buyer are manufactured by or approved by the Seller;
 - (iv) the seals of any kind on the Products remain unbroken; and
 - (v) the Seller’s authorized representative has inspected the Products and has determined that a defect exists.

If any of the Products are not manufactured by the Seller the guarantee of the manufacturer of those Products is accepted by the Buyer and is the only guarantee given to the Buyer in respect of those Products. The Seller agrees to assign to the Buyer on request made by the Buyer the benefit of any warranty or entitlement to those Products that the manufacturer has granted to the Seller under any contract or by implication or operation of law to the extent that the benefit of any warranty or entitlement is assignable.

Except as provided in these terms and conditions and to the extent permitted by law, all express and implied warranties, guarantees and conditions under statute or general law as to merchantability, description, quality, suitability or fitness of the Products for any purpose or as to design, assembly, installation, materials or workmanship or otherwise are expressly excluded. The Seller is not liable to the Buyer or third party for physical or financial injury, loss or damage or for special, indirect, consequential or punitive loss or damage of any kind (including but not limited to loss of profits or loss of business) (and even if notified of the possibility of such loss or damage) arising out of the supply, layout, assembly, installation or operation of the Products or arising out of the Seller’s negligence or in any way whatsoever.

7. CHANGED OR DISCONTINUED PRODUCT

- 7.1 The Buyer acknowledges that over time, the Seller’s products may undergo update and revision. As a result, there may be some differences between what is supplied to the Buyer and the specifications and description of the Products at the time the Seller submits its quotation and or the time the Buyer submits its Order

8. RETURNS

- 8.1 The Seller is not under any duty to accept Products returned by the Buyer and will do so only on terms determined by the Seller (including a 30% re-stocking fee for ‘off-the-shelf’ or standard Products) in each individual case.
- 8.2 Without limiting the generality of clause 8.1, in no case shall the Seller accept the return of Products which are ‘made-to-order’, customised, used or damaged, or have been sourced from overseas. Further, in the case of any Product, the Seller shall not accept any claim for return by the Buyer if the claim is not made within 7 days of delivery or collection of the Products.
- 8.3 If the Seller agrees to accept returned Products from the Buyer under clause 8.1, the Buyer must return the Products to the Seller at the Seller’s place of business.



Introducing the Eco Dynamic Fans Team!

The team at Eco Dynamic Fans have exceptional attention to detail and decades of customer service experience to ensure our place as real competitors in today's market.

If you have to move air, do so with an Eco Dynamic Fan!



Gus Gonez

Director & Production Manager

Gus has over 30 years experience in the industry, and entered the industry as the winner of the Apprentice of the year award in 1983.

Gus became valued and respected by his team leaders and quickly progressed into managerial roles with greater responsibilities.

Over the years Gus has gathered a wealth of knowledge and experience and strongly believes high quality and reliable products are important to Eco Dynamic Fan's customers.

Outside of work Gus enjoys spending time with his family and friends, traveling and dining and is an avid sports fan.



Stefan Gonez

Sales Consultant

Stefan's 10 years of experience in the industry has provided an insight into our customers needs and our market place that has led to some modifications in the design of our fans.

This means fans that are easier to install, and uniquely powder coated to be more aesthetically pleasing.

Stefan approaches customer service with confidence and care and is always willing to find solutions to meet our customer's needs.

When Stefan's not at work he enjoys reading, competitive video gaming and socialising with family and friends.



Robert Weaver

Sales Manager

Robert has been working in the commercial ventilation industry for 40 years.

Over this time Robert has not only built up an extensive amount of experience but also a great rapport with his customers. Robert understands that not all projects are the same and is flexible to meet his customer's needs.

Robert's understanding of the market allows him to provide effective and prompt problem solving solutions.

In Robert's down time he likes to play golf and spend time with family.



ECO DYNAMIC FANS

296 South Gippsland Hwy,
Dandenong South VIC 3175

P: 03 8578 5911

F: 03 8768 8529

www.ecodynamicfans.com.au