

Catalog

CRDS310-4E.pdf	1
CRDS355-4E.pdf	2
CRDS400-4-6D.pdf	3
CRDS400-4E.pdf	4
CRDS450-4-6D.pdf	5
CRDS450-4E.pdf	6
CRDS500-4-6D.pdf	7
CRDS500-4E.pdf	8
CRDS560-4-6D.pdf	9



CRDS310-4E

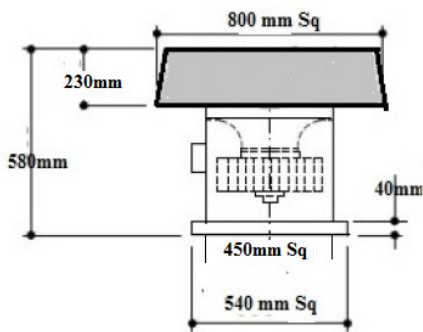
ROOF CENTRIFUGAL FAN



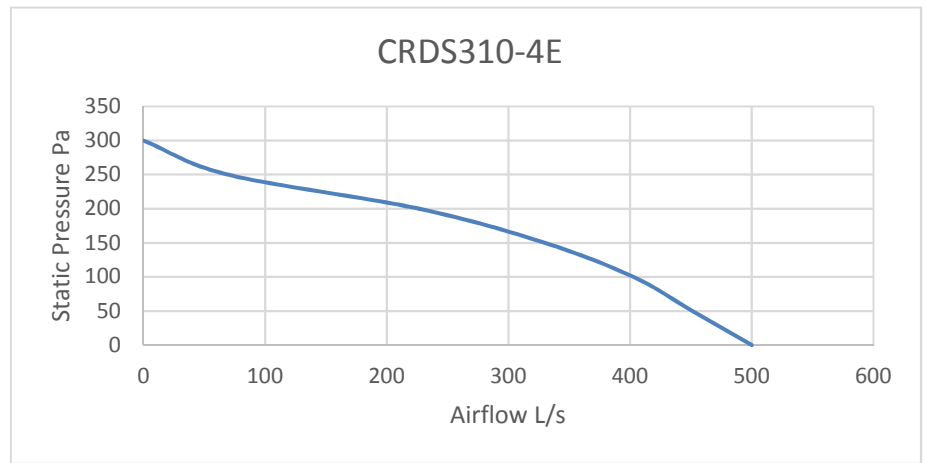
FAN FEATURES

- MAINLY USED FOR SUPPLY AIR.
- CAPABLE OF HANDLING UP TO 500 L/s.
- USED FOR GENERAL VENTILATION.
- ALL METAL CONSTRUCTION.
- WEATHER PROOF DESIGN.
- SPEED CONTROLLABLE.
- EASY TO MAINTAIN
- SQUARE BASE CONNECTION
- FULL COMPLIANCE WITH AUSTRALIAN STANDARDS AIRFLOW TEST TO BS848 PART 1 & NOISE TEST TO BS848 PART 2

DIMENSIONS



PERFORMANCE



SOUND DATA

Model	Octave Band Frequency Lw db (A)								Lw dB (A)	SPL dB (A) @3m
	63	125	250	500	1K	2K	4K	8K		
CRDS310-4E	27	51	55	65	67	54	58	51	69	48

TECHNICAL DATA

Fan Model	RPM	1 Phase KW	240V Amps	3 Phase KW	415V Amps	dba @3M
CRDS310-4E	1390	0.12	0.55			48



ECO DYNAMIC FANS PTY LTD

296 South Gippsland Hwy,
Dandenong South VIC 3175
P: 03 8578 5911

E: sales@ecodynamicfans.com.au
F: 03 8768 8529

www.ecodynamicfans.com.au



CRDS355-4E

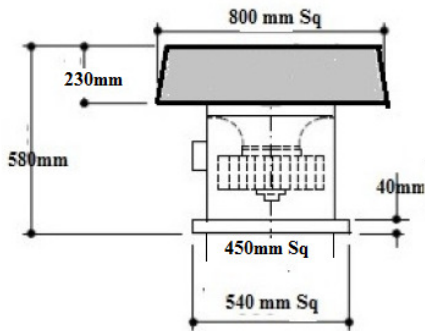
ROOF CENTRIFUGAL FAN



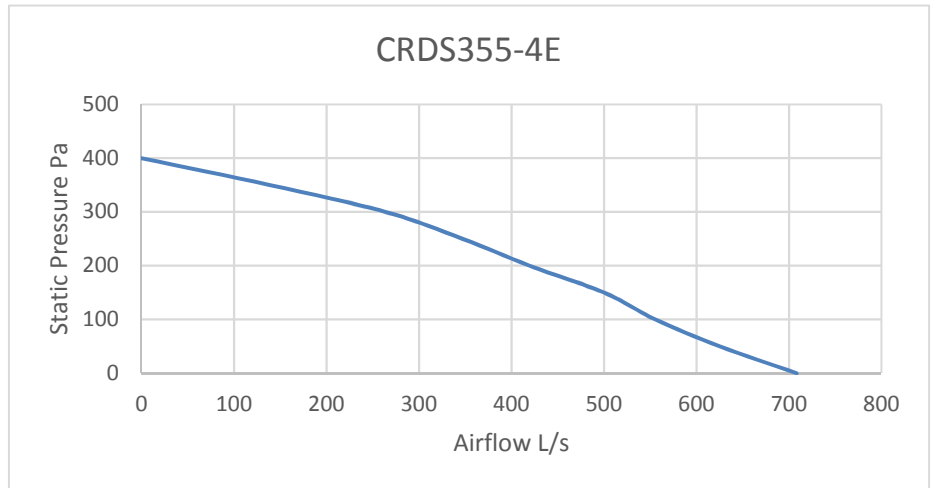
FAN FEATURES

- MAINLY USED FOR SUPPLY AIR.
- CAPABLE OF HANDLING UP TO 700 L/s.
- USED FOR GENERAL VENTILATION.
- ALL METAL CONSTRUCTION.
- WEATHER PROOF DESIGN.
- SPEED CONTROLLABLE.
- EASY TO MAINTAIN
- SQUARE BASE CONNECTION
- FULL COMPLIANCE WITH AUSTRALIAN STANDARDS AIRFLOW TEST TO BS848 PART 1 & NOISE TEST TO BS848 PART 2

DIMENSIONS



PERFORMANCE



SOUND DATA

Model	Octave Band Frequency Lw db (A)								Lw dB (A)	SPL dB (A) @3m
	63	125	250	500	1K	2K	4K	8K		
CRDS355-4E	24	48	53	67	69	67	63	49	73	52

TECHNICAL DATA

Fan Model	RPM	1 Phase KW	240V Amps	3 Phase KW	415V Amps	dba @3M
CRDS355-4E	1400	0.2	1.0			52



ECO DYNAMIC FANS PTY LTD

296 South Gippsland Hwy,
Dandenong South VIC 3175

P: 03 8578 5911

E: sales@ecodynamicfans.com.au

F: 03 8768 8529

www.ecodynamicfans.com.au



CRDS400-4/6D

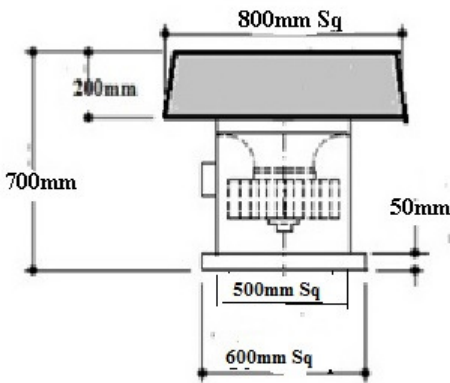
ROOF CENTRIFUGAL FAN



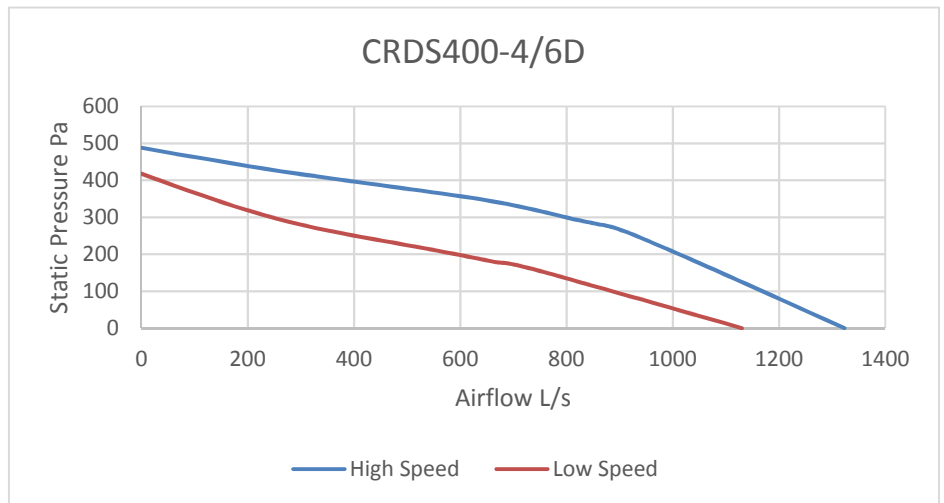
FAN FEATURES

- MAINLY USED FOR SUPPLY AIR.
- CAPABLE OF HANDLING UP TO 1300 L/s.
- USED FOR GENERAL VENTILATION.
- ALL METAL CONSTRUCTION.
- WEATHER PROOF DESIGN.
- SPEED CONTROLLABLE.
- EASY TO MAINTAIN
- SQUARE BASE CONNECTION
- FULL COMPLIANCE WITH AUSTRALIAN STANDARDS AIRFLOW TEST TO BS848 PART 1 & NOISE TEST TO BS848 PART 2

DIMENSIONS



PERFORMANCE



SOUND DATA

Model	Octave Band Frequency Lw db (A)								Lw dB (A)	SPL dB (A) @3m
	63	125	250	500	1K	2K	4K	8K		
CRDS400-4D	44	57	60	66	60	59	58	64	70	49
CRDS400-6D	34	53	55	61	56	65	53	57	67	46

TECHNICAL DATA

Fan Model	RPM	1 Phase KW	240V Amps	3 Phase KW	415V Amps	dba @3M
CRDS400-4D	1345			0.49	0.93	49
CRDS400-6D	1080			0.34	0.55	46



ECO DYNAMIC FANS PTY LTD

296 South Gippsland Hwy,
Dandenong South VIC 3175

P: 03 8578 5911

E: sales@ecodynamicfans.com.au

F: 03 8768 8529

www.ecodynamicfans.com.au



CRDS400-4E

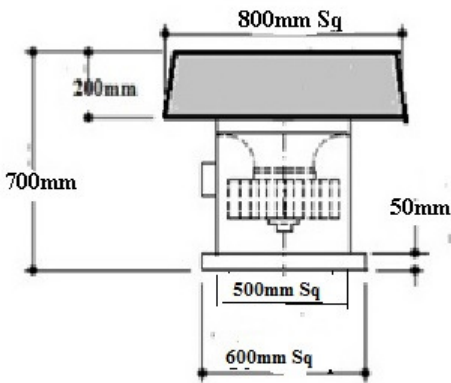
ROOF CENTRIFUGAL FAN



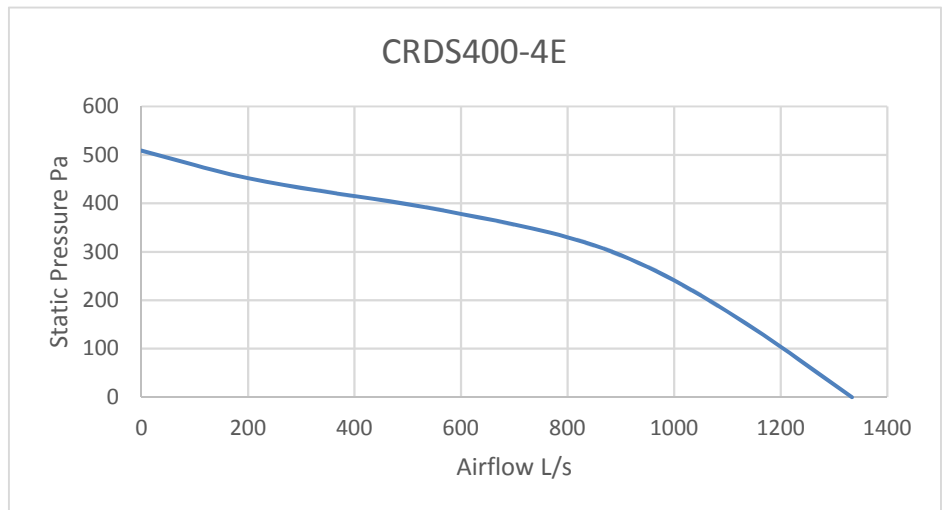
FAN FEATURES

- MAINLY USED FOR SUPPLY AIR.
- CAPABLE OF HANDLING UP TO 1300 L/s.
- USED FOR GENERAL VENTILATION.
- ALL METAL CONSTRUCTION.
- WEATHER PROOF DESIGN.
- SPEED CONTROLLABLE.
- EASY TO MAINTAIN
- SQUARE BASE CONNECTION
- FULL COMPLIANCE WITH AUSTRALIAN STANDARDS AIRFLOW TEST TO BS848 PART 1 & NOISE TEST TO BS848 PART 2

DIMENSIONS



PERFORMANCE



SOUND DATA

Model	Octave Band Frequency Lw db (A)								Lw dB (A)	SPL dB (A) @3m
	63	125	250	500	1K	2K	4K	8K		
CRDS400-4E	44	57	60	66	60	59	58	64	70	49

TECHNICAL DATA

Fan Model	RPM	1 Phase KW	240V Amps	3 Phase KW	415V Amps	dba @3M
CRDS400-4E	1390	0.55	2.6			49



**ECO DYNAMIC
FANS PTY LTD**

296 South Gippsland Hwy,
Dandenong South VIC 3175

P: 03 8578 5911

E: sales@ecodynamicfans.com.au

F: 03 8768 8529

www.ecodynamicfans.com.au



CRDS450-4/6D

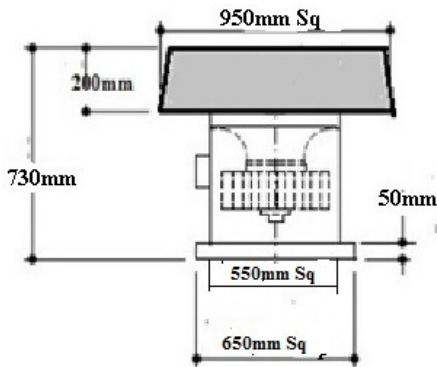
ROOF CENTRIFUGAL FAN



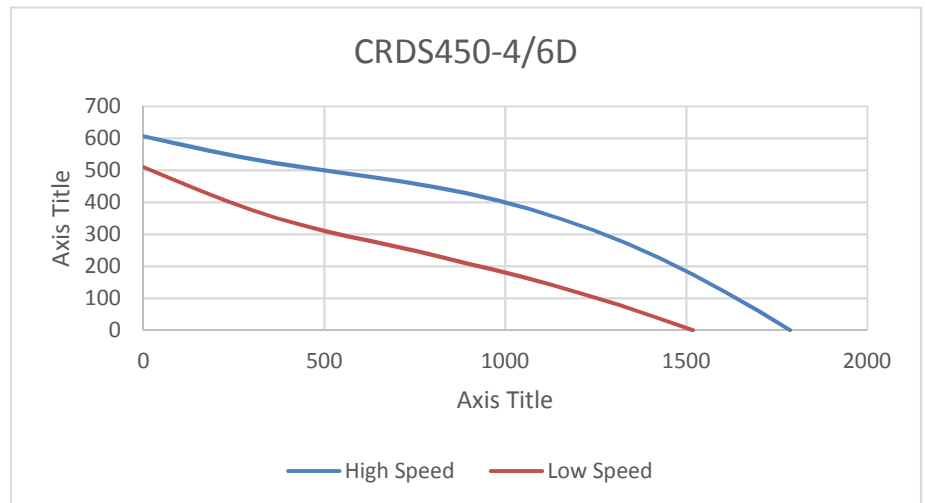
FAN FEATURES

- MAINLY USED FOR SUPPLY AIR.
- CAPABLE OF HANDLING UP TO 1600 L/s.
- USED FOR GENERAL VENTILATION.
- ALL METAL CONSTRUCTION.
- WEATHER PROOF DESIGN.
- SPEED CONTROLLABLE.
- EASY TO MAINTAIN
- SQUARE BASE CONNECTION
- FULL COMPLIANCE WITH AUSTRALIAN STANDARDS AIRFLOW TEST TO BS848 PART 1 & NOISE TEST TO BS848 PART 2

DIMENSIONS



PERFORMANCE



SOUND DATA

Model	Octave Band Frequency Lw db (A)								Lw dB (A)	SPL dB (A) @3m
	63	125	250	500	1K	2K	4K	8K		
CRDS450-4D	46	64	68	71	66	65	62	67	75	54
CRDS450-6D	49	55	59	61	58	57	61	54	67	46

TECHNICAL DATA

Fan Model	RPM	1 Phase KW	240V Amps	3 Phase KW	415V Amps	dba @3M
CRDS450-4D	1330			0.8	1.58	54
CRDS450-6D	1040			0.54	0.94	46



**ECO DYNAMIC
FANS PTY LTD**

296 South Gippsland Hwy,
Dandenong South VIC 3175

P: 03 8578 5911

E: sales@ecodynamicfans.com.au

F: 03 8768 8529

www.ecodynamicfans.com.au



CRDS450-4E

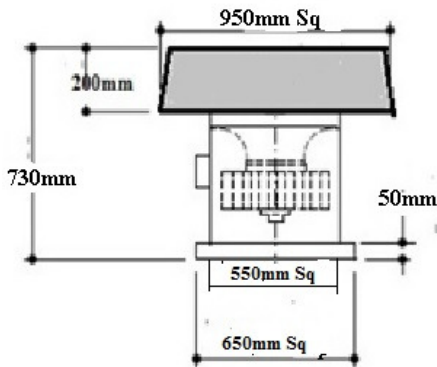
ROOF CENTRIFUGAL FAN



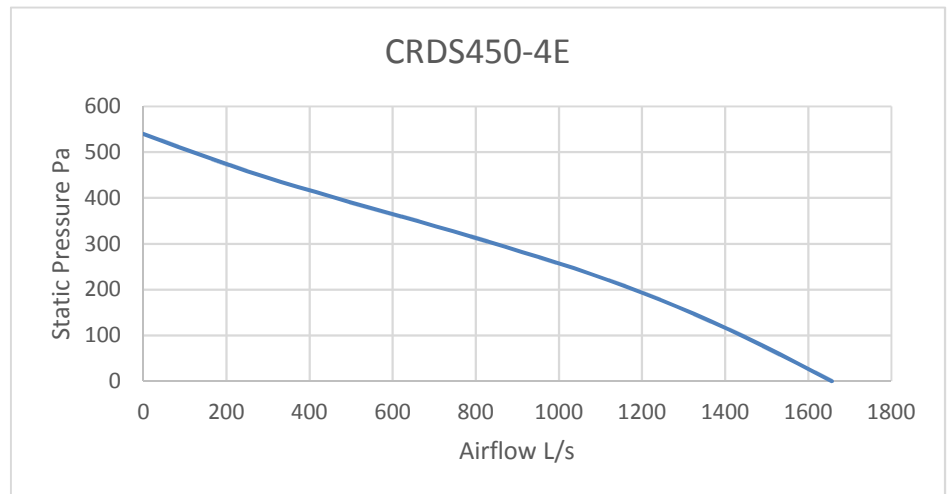
FAN FEATURES

- MAINLY USED FOR SUPPLY AIR.
- CAPABLE OF HANDLING UP TO 1600 L/s.
- USED FOR GENERAL VENTILATION.
- ALL METAL CONSTRUCTION.
- WEATHER PROOF DESIGN.
- SPEED CONTROLLABLE.
- EASY TO MAINTAIN
- SQUARE BASE CONNECTION
- FULL COMPLIANCE WITH AUSTRALIAN STANDARDS AIRFLOW TEST TO BS848 PART 1 & NOISE TEST TO BS848 PART 2

DIMENSIONS



PERFORMANCE



SOUND DATA

Model	Octave Band Frequency Lw db (A)								Lw dB (A)	SPL dB (A) @3m
	63	125	250	500	1K	2K	4K	8K		
CRDS450-4E	46	59	65	66	61	60	57	52	71	50

TECHNICAL DATA

Fan Model	RPM	1 Phase KW	240V Amps	3 Phase KW	415V Amps	dba @3M
CRDS450-4E	1160	0.66	3.0			50



**ECO DYNAMIC
FANS PTY LTD**

296 South Gippsland Hwy,
Dandenong South VIC 3175

P: 03 8578 5911

E: sales@ecodynamicfans.com.au

F: 03 8768 8529

www.ecodynamicfans.com.au



CRDS500-4/6D

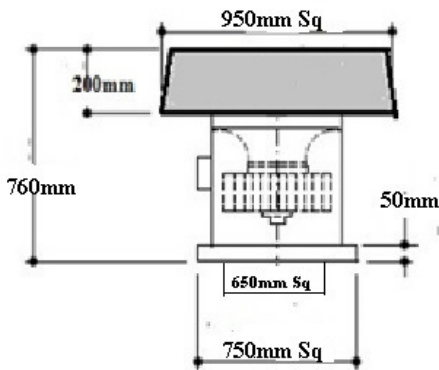
ROOF CENTRIFUGAL FAN



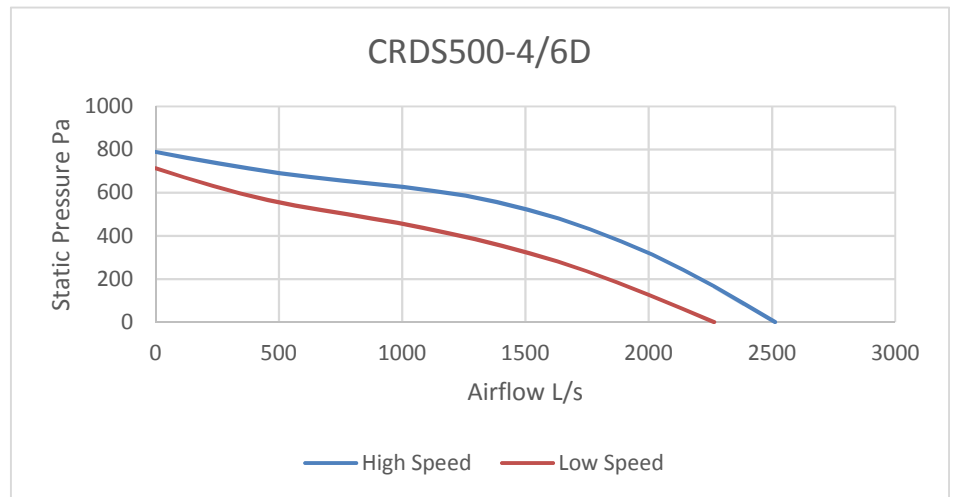
FAN FEATURES

- MAINLY USED FOR SUPPLY AIR.
- CAPABLE OF HANDLING UP TO 2500 L/s.
- USED FOR GENERAL VENTILATION.
- ALL METAL CONSTRUCTION.
- WEATHER PROOF DESIGN.
- SPEED CONTROLLABLE.
- EASY TO MAINTAIN
- SQUARE BASE CONNECTION
- FULL COMPLIANCE WITH AUSTRALIAN STANDARDS AIRFLOW TEST TO BS848 PART 1 & NOISE TEST TO BS848 PART 2

DIMENSIONS



PERFORMANCE



SOUND DATA

Model	Octave Band Frequency Lw db (A)								Lw dB (A)	SPL dB (A) @3m
	63	125	250	500	1K	2K	4K	8K		
CRDS500-4D	51	68	72	76	71	71	59	68	79	58
CRDS500-6D	56	58	61	63	61	57	66	59	70	49

TECHNICAL DATA

Fan Model	RPM	1 Phase KW	240V Amps	3 Phase KW	415V Amps	dba @3M
CRDS500-4D	1395			1.4	2.9	58
CRDS500-6D				1.08	1.81	49



**ECO DYNAMIC
FANS PTY LTD**

296 South Gippsland Hwy,
Dandenong South VIC 3175

P: 03 8578 5911

E: sales@ecodynamicfans.com.au

F: 03 8768 8529

www.ecodynamicfans.com.au



CRDS500-4E

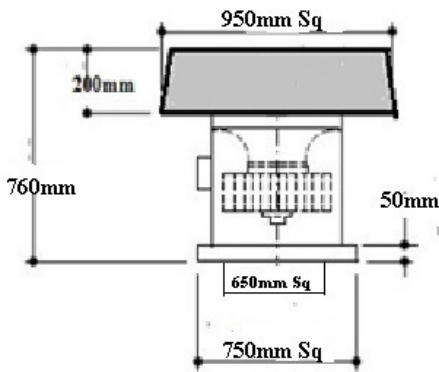
ROOF CENTRIFUGAL FAN



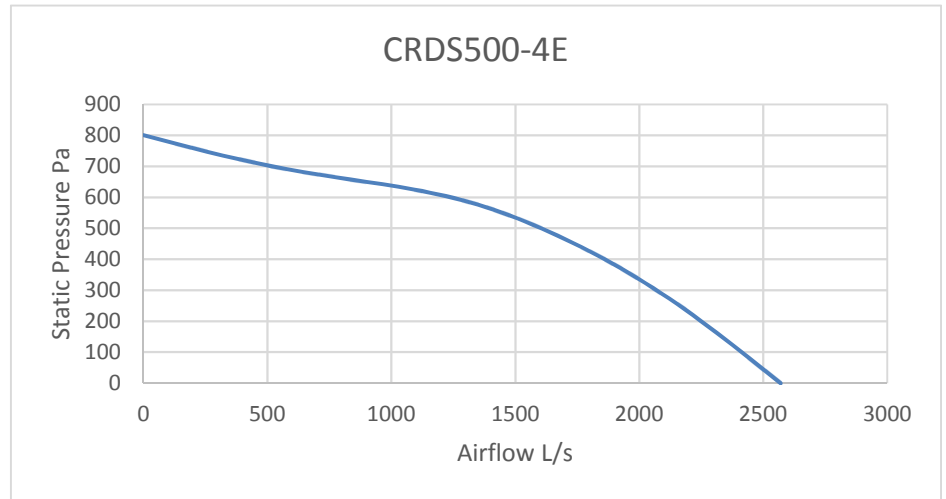
FAN FEATURES

- MAINLY USED FOR SUPPLY AIR.
- CAPABLE OF HANDLING UP TO 2500 L/s.
- USED FOR GENERAL VENTILATION.
- ALL METAL CONSTRUCTION.
- WEATHER PROOF DESIGN.
- SPEED CONTROLLABLE.
- EASY TO MAINTAIN
- SQUARE BASE CONNECTION
- FULL COMPLIANCE WITH AUSTRALIAN STANDARDS AIRFLOW TEST TO BS848 PART 1 & NOISE TEST TO BS848 PART 2

DIMENSIONS



PERFORMANCE



SOUND DATA

Model	Octave Band Frequency Lw db (A)								Lw dB (A)	SPL dB (A) @3m
	63	125	250	500	1K	2K	4K	8K		
CRDS500-4E	51	68	72	76	71	71	59	68	79	58

TECHNICAL DATA

Fan Model	RPM	1 Phase KW	240V Amps	3 Phase KW	415V Amps	dba @3M
CRDS500-4E	1386	1.49	6.8			58



**ECO DYNAMIC
FANS PTY LTD**

296 South Gippsland Hwy,
Dandenong South VIC 3175

P: 03 8578 5911

E: sales@ecodynamicfans.com.au

F: 03 8768 8529

www.ecodynamicfans.com.au



CRDS560-4/6D

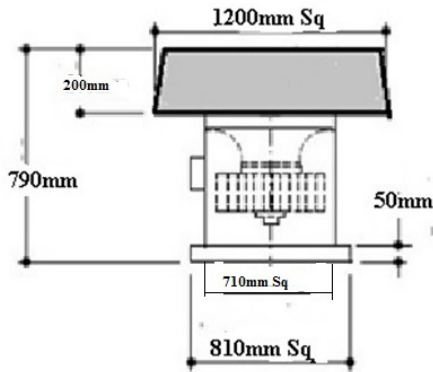
ROOF CENTRIFUGAL FAN



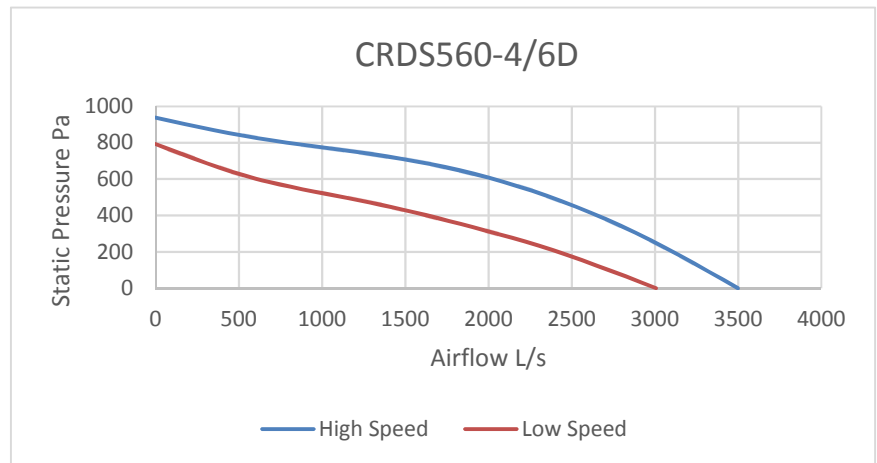
FAN FEATURES

- MAINLY USED FOR SUPPLY AIR.
- CAPABLE OF HANDLING UP TO 3500 L/s.
- USED FOR GENERAL VENTILATION.
- ALL METAL CONSTRUCTION.
- WEATHER PROOF DESIGN.
- SPEED CONTROLLABLE.
- EASY TO MAINTAIN
- SQUARE BASE CONNECTION
- FULL COMPLIANCE WITH AUSTRALIAN STANDARDS AIRFLOW TEST TO BS848 PART 1 & NOISE TEST TO BS848 PART 2

DIMENSIONS



PERFORMANCE



SOUND DATA

Model	Octave Band Frequency Lw db (A)								Lw dB (A)	SPL dB (A) @3m
	63	125	250	500	1K	2K	4K	8K		
CRDS560-4D	54	75	76	77	74	72	70	68	82	61
CRDS560-6D	59	61	65	66	64	60	69	62	74	53

TECHNICAL DATA

Fan Model	RPM	1 Phase KW	240V Amps	3 Phase KW	415V Amps	dba @3M
CRDS560-4D	1330			2.2	4.3	61
CRDS560-6D				1.51	2.5	53



**ECO DYNAMIC
FANS PTY LTD**

296 South Gippsland Hwy,
Dandenong South VIC 3175

P: 03 8578 5911

E: sales@ecodynamicfans.com.au

F: 03 8768 8529

www.ecodynamicfans.com.au