

Catalog

CRV310-4E.pdf	1
CRV355-4-6D.pdf	2
CRV355-4E.pdf	3
CRV355-6E.pdf	4
CRV400-4-6D.pdf	5
CRV400-4E.pdf	6
CRV450-4-6D.pdf	7
CRV450-4E.pdf	8
CRV450-6E.pdf	9
CRV500-4-6D.pdf	10
CRV500-4E.pdf	11
CRV560-4-6D.pdf	12
CRV630-4-6D.pdf	13
CRV630-6-8D.pdf	14
CRV710-6-8D.pdf	15



CRV310-4E

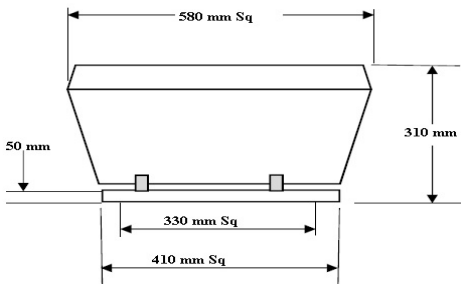
ROOF CENTRIFUGAL VERTICAL DISCHARGE FAN



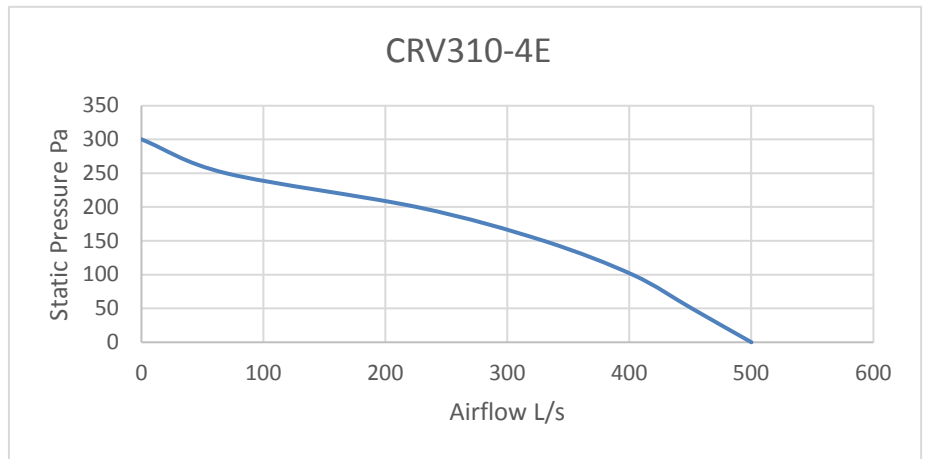
FAN FEATURES

- ROOF MOUNTED VERTICAL DISCHARGE FAN. CAPABLE OF HANDLING UP TO 500 L/s.
- USED FOR COMMERCIAL KITCHEN APPLICATIONS AND GENERAL VENTILATION.
- WEATHER PROOF HOUSING.
- GALVANIZED STEEL CONSTRUCTION.
- SPEED CONTROLLABLE.
- SQUARE BASE CONNECTION
- DETACHABLE WINDBAND FOR EASY CLEANING.
- FULL COMPLIANCE WITH AUSTRALIAN STANDARDS AIRFLOW TEST TO BS848 PART 1 & NOISE TEST TO BS848 PART 2

DIMENSIONS



PERFORMANCE



SOUND DATA

Model	Octave Band Frequency Lw db (A)								Lw dB (A)	SPL dB (A) @3m
	63	125	250	500	1K	2K	4K	8K		
CRV310-4E	27	51	55	65	67	54	58	51	69	48

TECHNICAL DATA

Fan Model	RPM	1 Phase KW	240V Amps	3 Phase KW	415V Amps	dba @3M
CRV310-4E	1390	0.12	0.55			48



**ECO DYNAMIC
FANS PTY LTD**

296 South Gippsland Hwy,
Dandenong South VIC 3175

P: 03 8578 5911

E: sales@ecodynamicfans.com.au

F: 03 8768 8529

www.ecodynamicfans.com.au



CRV355-4/6D

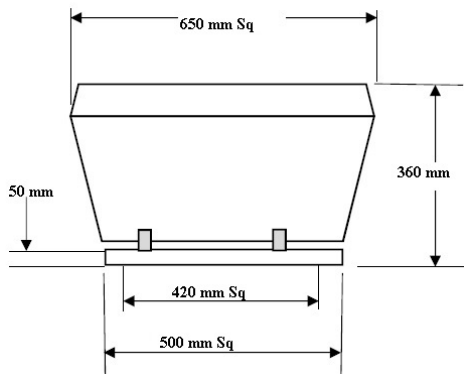
ROOF CENTRIFUGAL VERTICAL DISCHARGE FAN



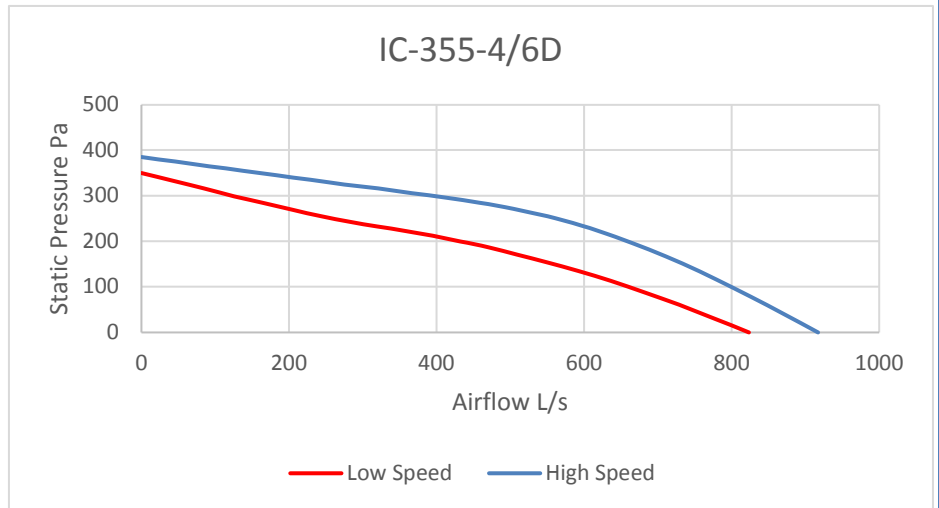
FAN FEATURES

- ROOF MOUNTED VERTICAL DISCHARGE FAN. CAPABLE OF HANDLING UP TO 900 L/s.
- USED FOR COMMERCIAL KITCHEN APPLICATIONS AND GENERAL VENTILATION.
- WEATHER PROOF HOUSING.
- GALVANIZED STEEL CONSTRUCTION.
- SPEED CONTROLLABLE.
- SQUARE BASE CONNECTION
- DETACHABLE WINDBAND FOR EASY CLEANING.
- FULL COMPLIANCE WITH AUSTRALIAN STANDARDS AIRFLOW TEST TO BS848 PART 1 & NOISE TEST TO BS848 PART 2

DIMENSIONS



PERFORMANCE



SOUND DATA

Model	Octave Band Frequency Lw db (A)								Lw dB (A)	SPL dB (A) @3m
	63	125	250	500	1K	2K	4K	8K		
CRV355-4D	79	77	73	71	62	64	64	63	73	52
CRV355-6D	75	67	64	61	57	51	46	43	64	43

TECHNICAL DATA

Fan Model	RPM	1 Phase KW	240V Amps	3 Phase KW	415V Amps	dba @3M
CRV355-4D	1320			0.25	0.49	52
CRV355-6D	1020			0.18	0.93	43



**ECO DYNAMIC
FANS PTY LTD**

296 South Gippsland Hwy,
Dandenong South VIC 3175

P: 03 8578 5911

E: sales@ecodynamicfans.com.au

F: 03 8768 8529

www.ecodynamicfans.com.au



CRV355-4E

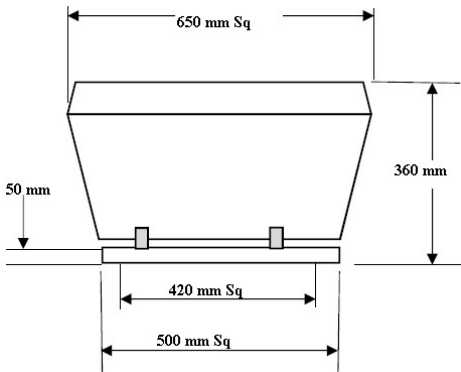
ROOF CENTRIFUGAL VERTICAL DISCHARGE FAN



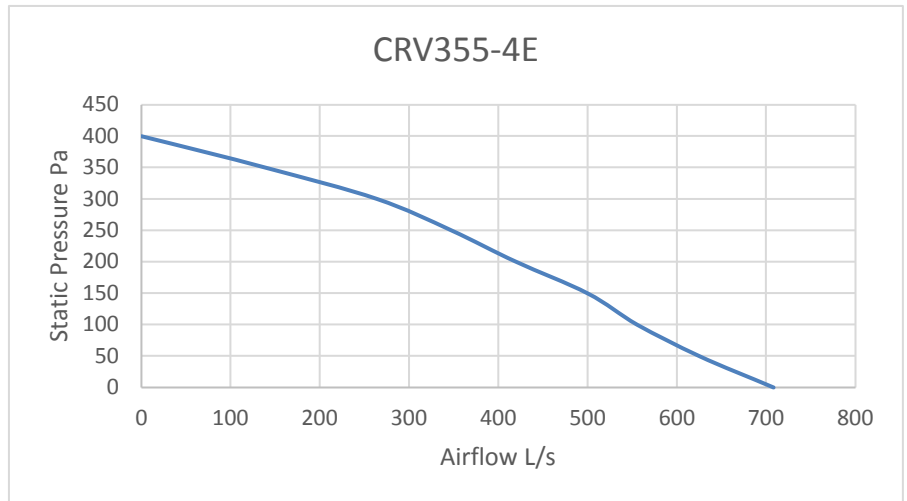
FAN FEATURES

- ROOF MOUNTED VERTICAL DISCHARGE FAN. CAPABLE OF HANDLING UP TO 700 L/s.
- USED FOR COMMERCIAL KITCHEN APPLICATIONS AND GENERAL VENTILATION.
- WEATHER PROOF HOUSING.
- GALVANIZED STEEL CONSTRUCTION.
- SPEED CONTROLLABLE.
- SQUARE BASE CONNECTION
- DETACHABLE WINDBAND FOR EASY CLEANING.
- FULL COMPLIANCE WITH AUSTRALIAN STANDARDS AIRFLOW TEST TO BS848 PART 1 & NOISE TEST TO BS848 PART 2

DIMENSIONS



PERFORMANCE



SOUND DATA

Model	Octave Band Frequency Lw db (A)								Lw dB (A)	SPL dB (A) @3m
	63	125	250	500	1K	2K	4K	8K		
CRV355-4E	24	48	53	67	69	67	63	49	73	52

TECHNICAL DATA

Fan Model	RPM	1 Phase KW	240V Amps	3 Phase KW	415V Amps	dba @3M
CRV355-4E	1400	0.2	1.0			52



**ECO DYNAMIC
FANS PTY LTD**

www.ecodynamicfans.com.au

296 South Gippsland Hwy,
Dandenong South VIC 3175

P: 03 8578 5911

E: sales@ecodynamicfans.com.au

F: 03 8768 8529



CRV355-6E

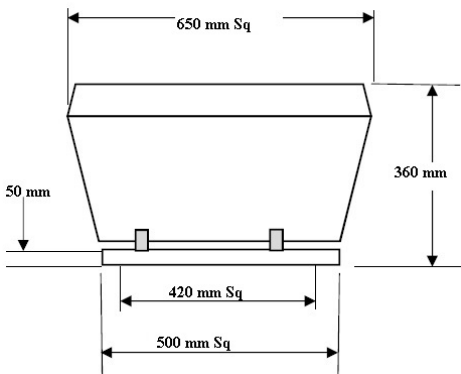
ROOF CENTRIFUGAL VERTICAL DISCHARGE FAN



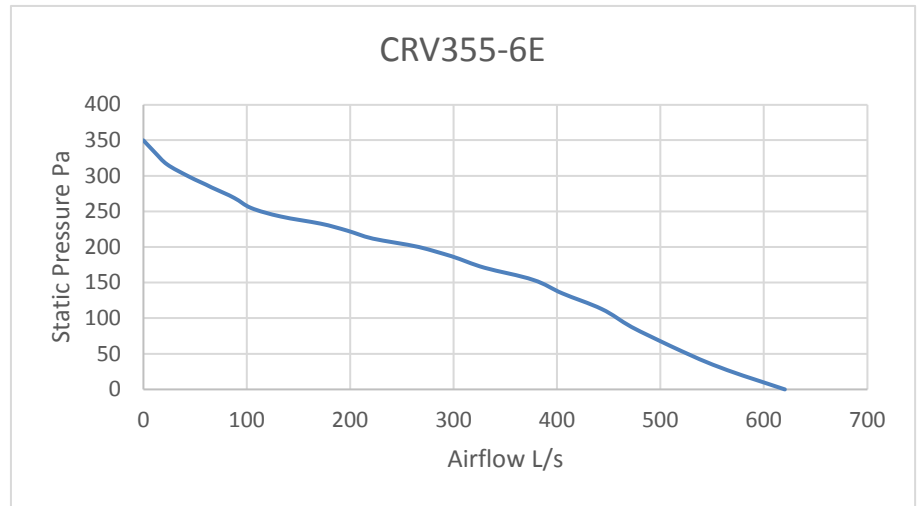
FAN FEATURES

- ROOF MOUNTED VERTICAL DISCHARGE FAN. CAPABLE OF HANDLING UP TO 600 L/s.
- USED FOR COMMERCIAL KITCHEN APPLICATIONS AND GENERAL VENTILATION.
- WEATHER PROOF HOUSING.
- GALVANIZED STEEL CONSTRUCTION.
- SPEED CONTROLLABLE.
- SQUARE BASE CONNECTION
- DETACHABLE WINDBAND FOR EASY CLEANING.
- FULL COMPLIANCE WITH AUSTRALIAN STANDARDS AIRFLOW TEST TO BS848 PART 1 & NOISE TEST TO BS848 PART 2

DIMENSIONS



PERFORMANCE



SOUND DATA

Model	Octave Band Frequency Lw db (A)								Lw dB (A)	SPL dB (A) @3m
	63	125	250	500	1K	2K	4K	8K		
CRV355-6E	58	60	58	58	54	55	48	36	65	43

TECHNICAL DATA

Fan Model	RPM	1 Phase KW	240V Amps	3 Phase KW	415V Amps	dba @3M
CRV355-6E	980	0.2	1.0			43



**ECO DYNAMIC
FANS PTY LTD**

www.ecodynamicfans.com.au

296 South Gippsland Hwy,
Dandenong South VIC 3175

P: 03 8578 5911

E: sales@ecodynamicfans.com.au

F: 03 8768 8529



CRV400-4/6D

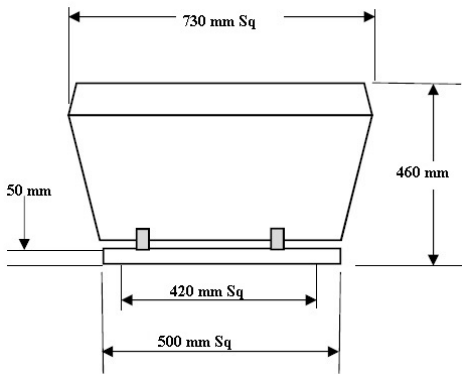
ROOF CENTRIFUGAL VERTICAL DISCHARGE FAN



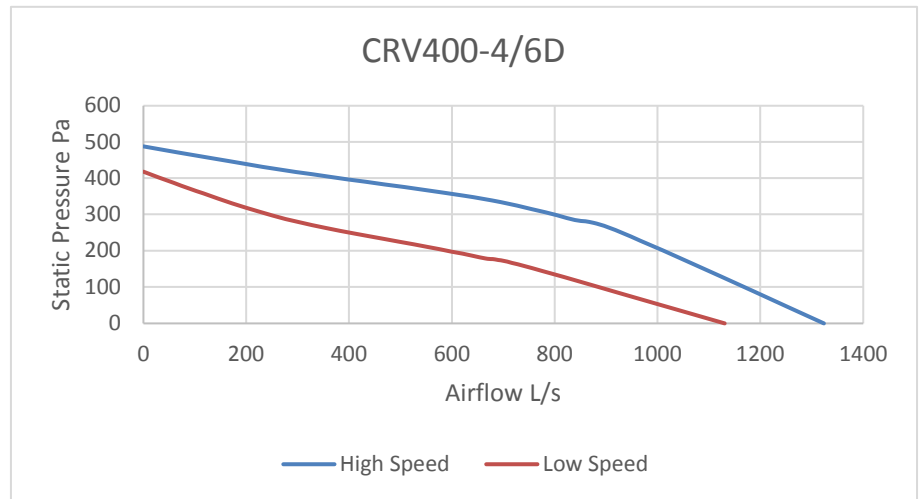
FAN FEATURES

- ROOF MOUNTED VERTICAL DISCHARGE FAN. CAPABLE OF HANDLING UP TO 1300 L/s
- USED FOR COMMERCIAL KITCHEN APPLICATIONS AND GENERAL VENTILATION.
- WEATHER PROOF HOUSING.
- GALVANIZED STEEL CONSTRUCTION.
- SPEED CONTROLLABLE.
- SQUARE BASE CONNECTION
- DETACHABLE WINDBAND FOR EASY CLEANING.
- FULL COMPLIANCE WITH AUSTRALIAN STANDARDS AIRFLOW TEST TO BS848 PART 1 & NOISE TEST TO BS848 PART 2

DIMENSIONS



PERFORMANCE



SOUND DATA

Model	Octave Band Frequency Lw db (A)								Lw dB (A)	SPL dB (A) @3m
	63	125	250	500	1K	2K	4K	8K		
CRV400-4D	44	57	60	66	60	59	58	64	70	49
CRV400-6D	34	53	55	61	56	65	53	57	67	46

TECHNICAL DATA

Fan Model	RPM	1 Phase KW	240V Amps	3 Phase KW	415V Amps	dba @3M
CRV400-4D	1345			0.49	0.93	49
CRV400-6D	1080			0.34	0.55	46



**ECO DYNAMIC
FANS PTY LTD**

www.ecodynamicfans.com.au

296 South Gippsland Hwy,
Dandenong South VIC 3175

P: 03 8578 5911

E: sales@ecodynamicfans.com.au

F: 03 8768 8529



CRV400-4E

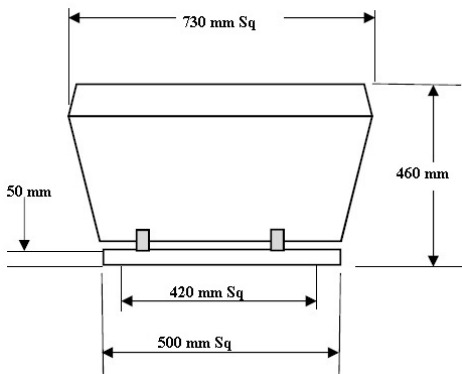
ROOF CENTRIFUGAL VERTICAL DISCHARGE FAN



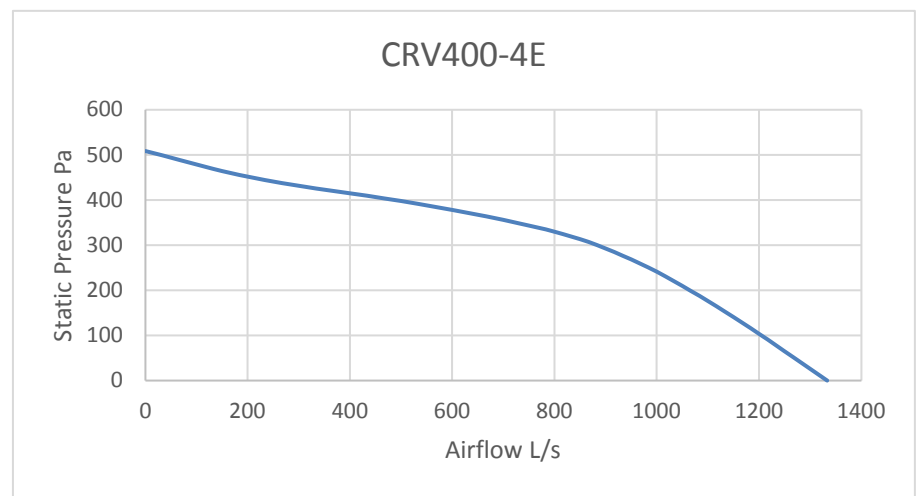
FAN FEATURES

- ROOF MOUNTED VERTICAL DISCHARGE FAN. CAPABLE OF HANDLING UP TO 1300.
- USED FOR COMMERCIAL KITCHEN APPLICATIONS AND GENERAL VENTILATION.
- WEATHER PROOF HOUSING.
- GALVANIZED STEEL CONSTRUCTION.
- SPEED CONTROLLABLE.
- SQUARE BASE CONNECTION
- DETACHABLE WINDBAND FOR EASY CLEANING.
- FULL COMPLIANCE WITH AUSTRALIAN STANDARDS AIRFLOW TEST TO BS848 PART 1 & NOISE TEST TO BS848 PART 2

DIMENSIONS



PERFORMANCE



SOUND DATA

Model	Octave Band Frequency Lw db (A)								Lw dB (A)	SPL dB (A) @3m
	63	125	250	500	1K	2K	4K	8K		
CRV400-4E	44	57	60	66	60	59	58	64	70	49

TECHNICAL DATA

Fan Model	RPM	1 Phase KW	240V Amps	3 Phase KW	415V Amps	dba @3M
CRV400-4E	1390	0.55	2.6			49



**ECO DYNAMIC
FANS PTY LTD**

296 South Gippsland Hwy,
Dandenong South VIC 3175

P: 03 8578 5911

E: sales@ecodynamicfans.com.au

F: 03 8768 8529

www.ecodynamicfans.com.au



CRV450-4/6D

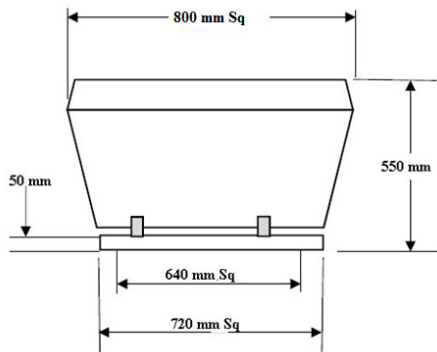
ROOF CENTRIFUGAL VERTICAL DISCHARGE FAN



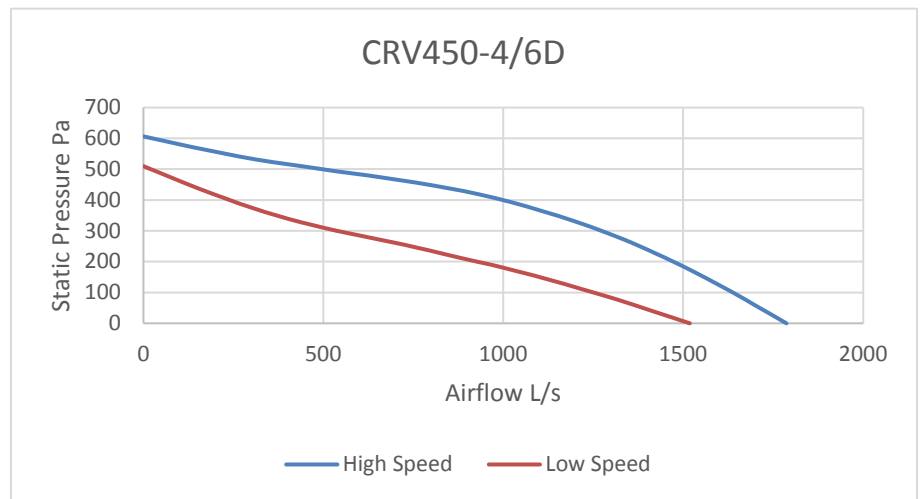
FAN FEATURES

- ROOF MOUNTED VERTICAL DISCHARGE FAN.
- CAPABLE OF HANDLING UP TO 1700 L/s.
- USED FOR COMMERCIAL KITCHEN APPLICATIONS AND GENERAL VENTILATION.
- WEATHER PROOF HOUSING.
- GALVANIZED STEEL CONSTRUCTION.
- SPEED CONTROLLABLE, VSD, STAR/DELTA SWITCH OR 5 STEP CONTROLLER
- SQUARE BASE CONNECTION
- DETACHABLE WINDBAND FOR EASY CLEANING.
- 3 PHASE MOTOR 2 SPEED STAR/DELTA
- FULL COMPLIANCE WITH AUSTRALIAN STANDARDS AIRFLOW TEST TO BS848 PART 1 & NOISE TEST TO BS848 PART 2

DIMENSIONS



PERFORMANCE



SOUND DATA

Model	Octave Band Frequency Lw db (A)								Lw dB (A)	SPL dB (A) @3m
	63	125	250	500	1K	2K	4K	8K		
CRV450-4D	46	64	68	71	66	65	62	67	75	54
CRV450-6D	49	55	59	61	58	57	61	54	67	46

TECHNICAL DATA

Fan Model	RPM	1 Phase KW	240V Amps	3 Phase KW	415V Amps	dba @3M
CRV450-4D	1330			0.8	1.58	54
CRV450-6D	1040			0.54	0.94	46



**ECO DYNAMIC
FANS PTY LTD**

296 South Gippsland Hwy,
Dandenong South VIC 3175
P: 03 8578 5911

E: sales@ecodynamicfans.com.au
F: 03 8768 8529

www.ecodynamicfans.com.au



CRV450-4E

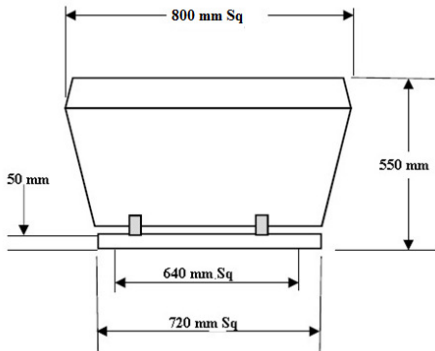
ROOF CENTRIFUGAL VERTICAL DISCHARGE FAN



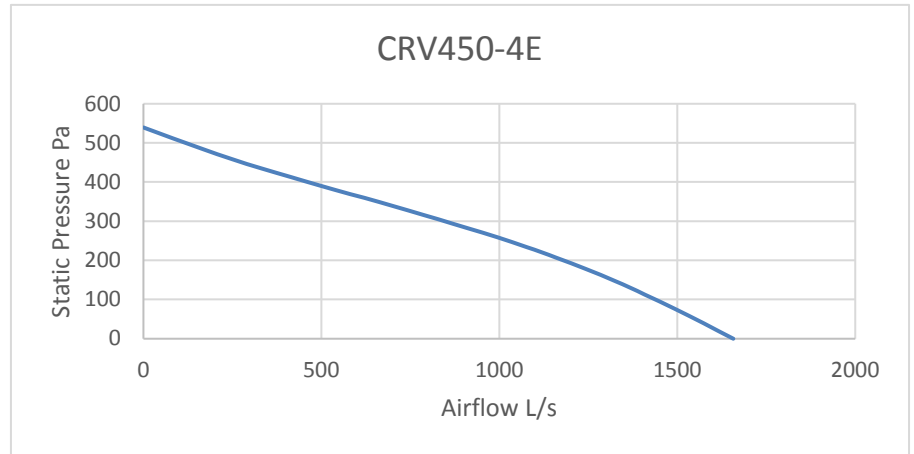
FAN FEATURES

- ROOF MOUNTED VERTICAL DISCHARGE FAN.
- CAPABLE OF HANDLING UP TO 1600 L/s.
- USED FOR COMMERCIAL KITCHEN APPLICATIONS AND GENERAL VENTILATION.
- WEATHER PROOF HOUSING.
- GALVANIZED STEEL CONSTRUCTION.
- SPEED CONTROLLABLE,
- SQUARE BASE CONNECTION
- DETACHABLE WINDBAND FOR EASY CLEANING.
- FULL COMPLIANCE WITH AUSTRALIAN STANDARDS AIRFLOW TEST TO BS848 PART 1 & NOISE TEST TO BS848 PART 2

DIMENSIONS



PERFORMANCE



SOUND DATA

Model	Octave Band Frequency Lw db (A)								Lw dB (A)	SPL dB (A) @3m
	63	125	250	500	1K	2K	4K	8K		
CRV450-4E	46	59	65	66	61	60	57	52	71	50

TECHNICAL DATA

Fan Model	RPM	1 Phase KW	240V Amps	3 Phase KW	415V Amps	dba @3M
CRV450-4E	1160	0.66	3.0			50



ECO DYNAMIC FANS PTY LTD

296 South Gippsland Hwy,
Dandenong South VIC 3175

P: 03 8578 5911

E: sales@ecodynamicfans.com.au

F: 03 8768 8529

www.ecodynamicfans.com.au



CRV450-6E

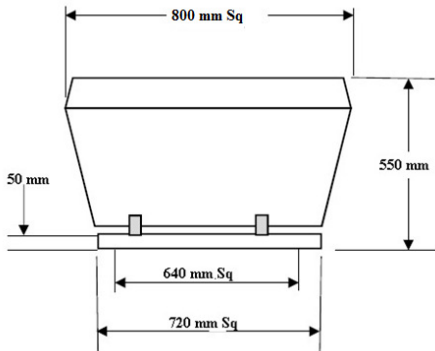
ROOF CENTRIFUGAL VERTICAL DISCHARGE FAN



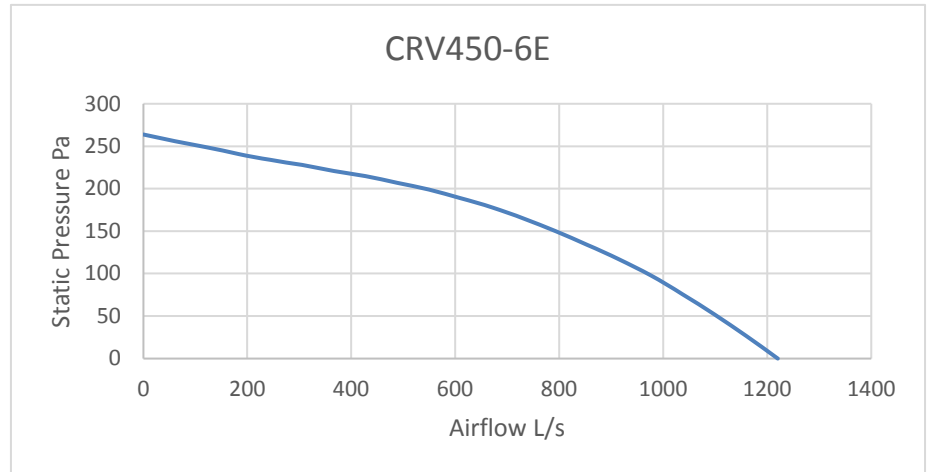
FAN FEATURES

- ROOF MOUNTED VERTICAL DISCHARGE FAN.
- CAPABLE OF HANDLING UP TO 1200 L/s.
- USED FOR COMMERCIAL KITCHEN APPLICATIONS AND GENERAL VENTILATION.
- WEATHER PROOF HOUSING.
- GALVANIZED STEEL CONSTRUCTION.
- SPEED CONTROLLABLE,
- SQUARE BASE CONNECTION
- DETACHABLE WINDBAND FOR EASY CLEANING.
- FULL COMPLIANCE WITH AUSTRALIAN STANDARDS AIRFLOW TEST TO BS848 PART 1 & NOISE TEST TO BS848 PART 2

DIMENSIONS



PERFORMANCE



SOUND DATA

Model	Octave Band Frequency Lw db (A)								Lw dB (A)	SPL dB (A) @3m
	63	125	250	500	1K	2K	4K	8K		
CRV450-6E	49	55	59	61	58	57	61	54	67	46

TECHNICAL DATA

Fan Model	RPM	1 Phase KW	240V Amps	3 Phase KW	415V Amps	dba @3M
CRV450-6E	895	0.30	1.45			46



ECO DYNAMIC FANS PTY LTD

296 South Gippsland Hwy,
Dandenong South VIC 3175

P: 03 8578 5911

E: sales@ecodynamicfans.com.au

F: 03 8768 8529

w w w . e c o d y n a m i c f a n s . c o m . a u



CRV500-4/6D

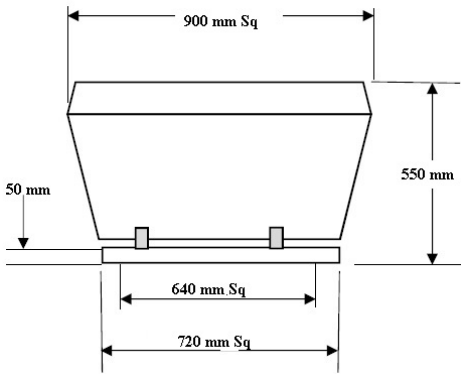
ROOF CENTRIFUGAL VERTICAL DISCHARGE FAN



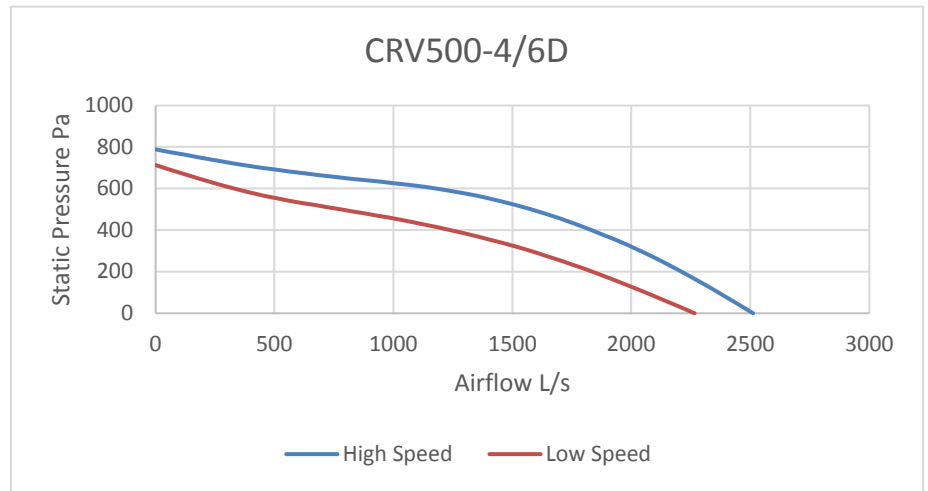
FAN FEATURES

- ROOF MOUNTED VERTICAL DISCHARGE FAN.
- CAPABLE OF HANDLING UP TO 2500 L/s.
- USED FOR COMMERCIAL KITCHEN APPLICATIONS AND GENERAL VENTILATION.
- WEATHER PROOF HOUSING.
- GALVANIZED STEEL CONSTRUCTION.
- SPEED CONTROLLABLE , VSD, STAR/DELTA SWITCH OR 5 STEP CONTROLLER
- SQUARE BASE CONNECTION
- DETACHABLE WINDBAND FOR EASY CLEANING.
- 3 PHASE MOTOR 2 SPEED STAR/DELTA
- FULL COMPLIANCE WITH AUSTRALIAN STANDARDS AIRFLOW TEST TO BS848 PART 1 & NOISE TEST TO BS848 PART 2

DIMENSIONS



PERFORMANCE



SOUND DATA

Model	Octave Band Frequency Lw db (A)								Lw dB (A)	SPL dB (A) @3m
	63	125	250	500	1K	2K	4K	8K		
CRV500-4D	51	68	72	76	71	71	59	68	79	58
CRV500-6D	56	58	61	63	61	57	66	59	70	49

TECHNICAL DATA

Fan Model	RPM	1 Phase KW	240V Amps	3 Phase KW	415V Amps	dba @3M
CRV500-4D	1395			1.4	2.9	58
CRV500-6D	1200			1.08	1.81	49



**ECO DYNAMIC
FANS PTY LTD**

296 South Gippsland Hwy,
Dandenong South VIC 3175

P: 03 8578 5911

E: sales@ecodynamicfans.com.au

F: 03 8768 8529

www.ecodynamicfans.com.au



CRV500-4E

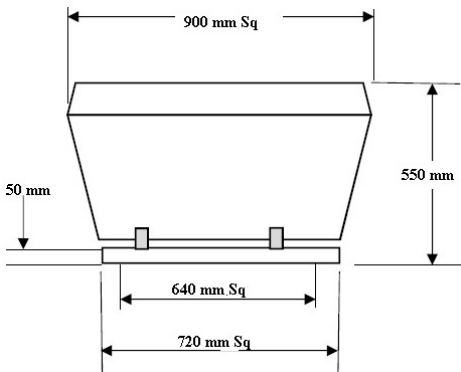
ROOF CENTRIFUGAL VERTICAL DISCHARGE FAN



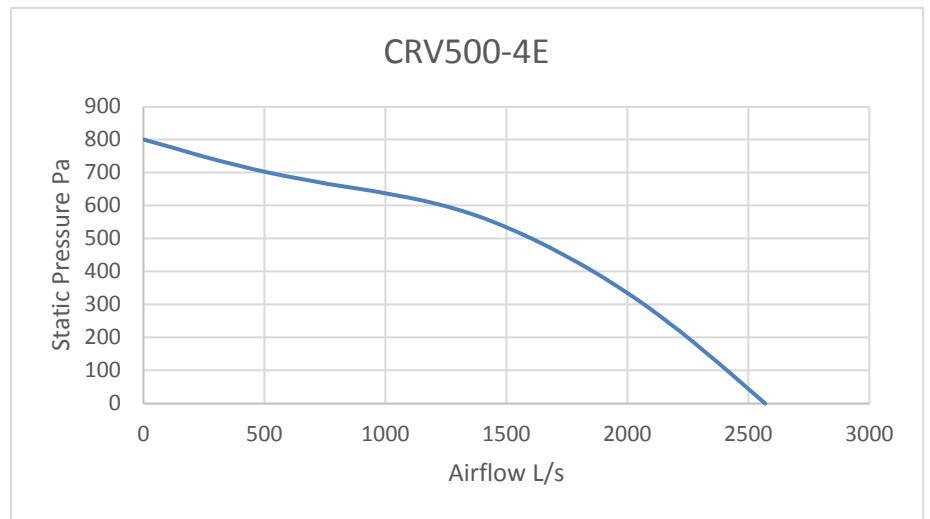
FAN FEATURES

- ROOF MOUNTED VERTICAL DISCHARGE FAN. 240V
- CAPABLE OF HANDLING UP TO 2500 L/s.
- USED FOR COMMERCIAL KITCHEN APPLICATIONS AND GENERAL VENTILATION.
- WEATHER PROOF HOUSING.
- GALVANIZED STEEL CONSTRUCTION.
- SPEED CONTROLLABLE
- SQUARE BASE CONNECTION
- DETACHABLE WINDBAND FOR EASY CLEANING.
- FULL COMPLIANCE WITH AUSTRALIAN STANDARDS AIRFLOW TEST TO BS848 PART 1 & NOISE TEST TO BS848 PART 2

DIMENSIONS



PERFORMANCE



SOUND DATA

Model	Octave Band Frequency Lw db (A)								Lw dB (A)	SPL dB (A) @3m
	63	125	250	500	1K	2K	4K	8K		
CRV500-4E	51	68	72	76	71	71	59	68	79	58

TECHNICAL DATA

Fan Model	RPM	1 Phase KW	240V Amps	3 Phase KW	415V Amps	dba @3M
CRV500-4E	1386	1.49	6.8			58



**ECO DYNAMIC
FANS PTY LTD**

296 South Gippsland Hwy,
Dandenong South VIC 3175

P: 03 8578 5911

E: sales@ecodynamicfans.com.au

F: 03 8768 8529

www.ecodynamicfans.com.au



CRV560-4/6D

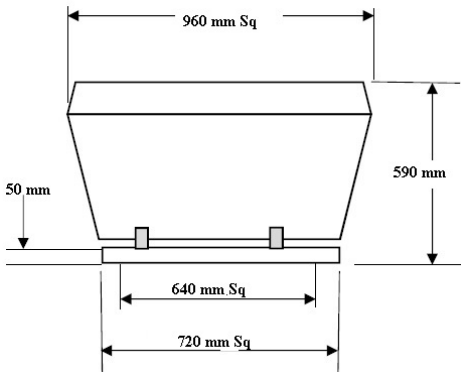
ROOF CENTRIFUGAL VERTICAL DISCHARGE FAN



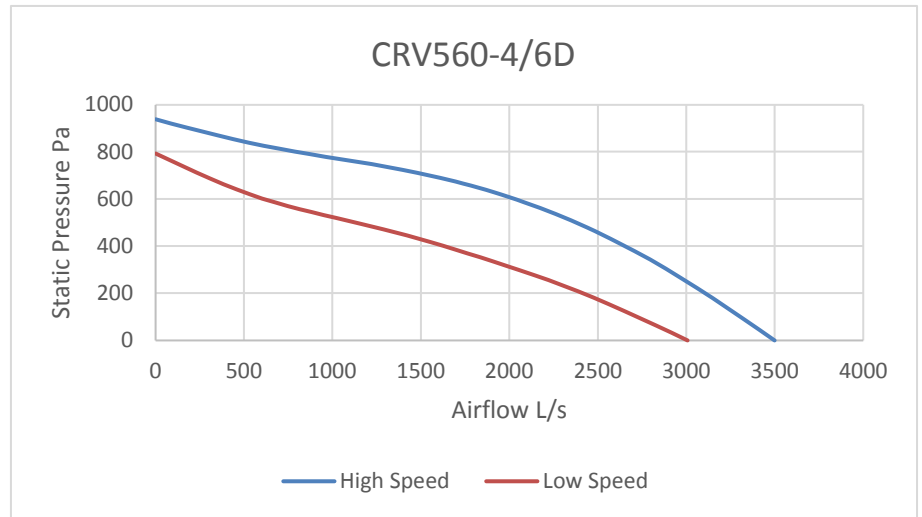
FAN FEATURES

- ROOF MOUNTED VERTICAL DISCHARGE FAN. CAPABLE OF HANDLING UP TO 3500 L/s.
- USED FOR COMMERCIAL KITCHEN APPLICATIONS AND GENERAL VENTILATION.
- WEATHER PROOF HOUSING.
- GALVANIZED STEEL CONSTRUCTION.
- SPEED CONTROLLABLE , VSD, STAR/DELTA SWITCH OR 5 STEP CONTROLLER
- SQUARE BASE CONNECTION
- DETACHABLE WINDBAND FOR EASY CLEANING.
- 3 PHASE MOTOR 2 SPEED STAR/DELTA
- FULL COMPLIANCE WITH AUSTRALIAN STANDARDS AIRFLOW TEST TO BS848 PART 1 & NOISE TEST TO BS848 PART 2

DIMENSIONS



PERFORMANCE



SOUND DATA

Model	Octave Band Frequency Lw db (A)								Lw dB (A)	SPL dB (A) @3m
	63	125	250	500	1K	2K	4K	8K		
CRV560-4D	54	75	76	77	74	72	70	68	82	61
CRV560-6D	59	61	64	66	64	60	69	62	74	53

TECHNICAL DATA

Fan Model	RPM	1 Phase KW	240V Amps	3 Phase KW	415V Amps	dba @3M
CRV560-4D	1330			2.2	4.3	61
CRV560-6D	1085			1.51	2.5	53



**ECO DYNAMIC
FANS PTY LTD**

296 South Gippsland Hwy,
Dandenong South VIC 3175

P: 03 8578 5911

E: sales@ecodynamicfans.com.au

F: 03 8768 8529

www.ecodynamicfans.com.au



CRV630-4/6D

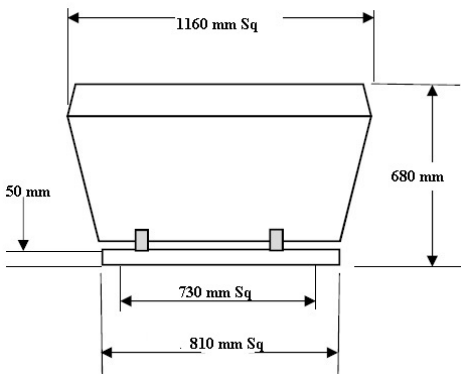
ROOF CENTRIFUGAL VERTICAL DISCHARGE FAN



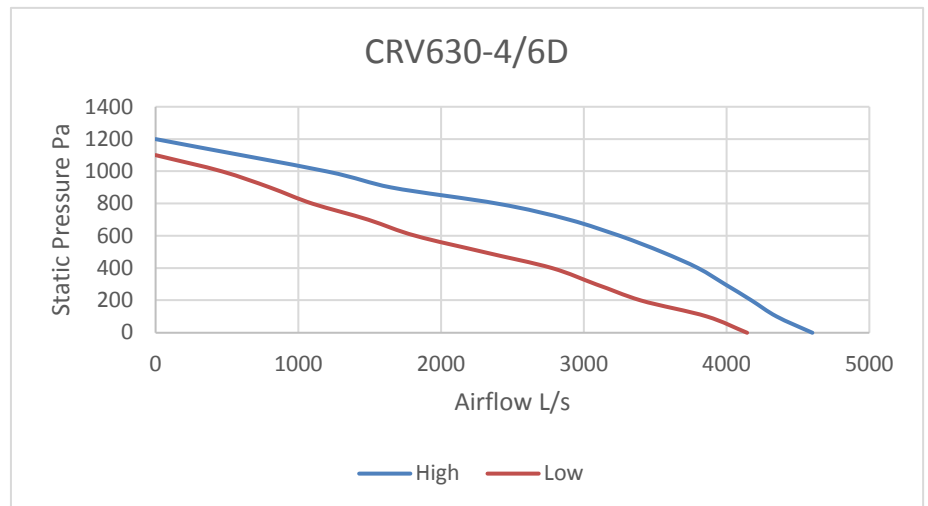
FAN FEATURES

- ROOF MOUNTED VERTICAL DISCHARGE FAN. CAPABLE OF HANDLING UP TO 4500 L/s.
- USED FOR COMMERCIAL KITCHEN APPLICATIONS AND GENERAL VENTILATION.
- WEATHER PROOF HOUSING.
- GALVANIZED STEEL CONSTRUCTION.
- SPEED CONTROLLABLE, VSD, STAR/DELTA SWITCH OR 5 STEP CONTROLLER
- SQUARE BASE CONNECTION
- DETACHABLE WINDBAND FOR EASY CLEANING.
- 3 PHASE MOTOR 2 SPEED STAR/DELTA
- FULL COMPLIANCE WITH AUSTRALIAN STANDARDS AIRFLOW TEST TO BS848 PART 1 & NOISE TEST TO BS848 PART 2

DIMENSIONS



PERFORMANCE



SOUND DATA

Model	Octave Band Frequency Lw db (A)								Lw dB (A)	SPL dB (A) @3m
	63	125	250	500	1K	2K	4K	8K		
CRV630-4D	81	86	82	77	78	71	69	64	89	68
CRV630-6D	50	60	72	71	63	57	62	77	77	56

TECHNICAL DATA

Fan Model	RPM	1 Phase KW	240V Amps	3 Phase KW	415V Amps	dba @3M
CRV630-4D	1380			3.61	6.4	57
CRV630-6D	1140			2.66	4.45	49



**ECO DYNAMIC
FANS PTY LTD**

www.ecodynamicfans.com.au

296 South Gippsland Hwy,
Dandenong South VIC 3175

P: 03 8578 5911

E: sales@ecodynamicfans.com.au

F: 03 8768 8529



CRV630-6/8D

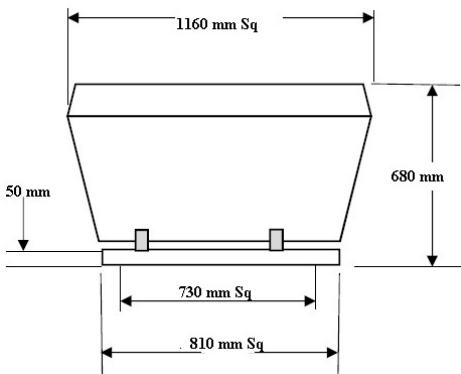
ROOF CENTRIFUGAL VERTICAL DISCHARGE FAN



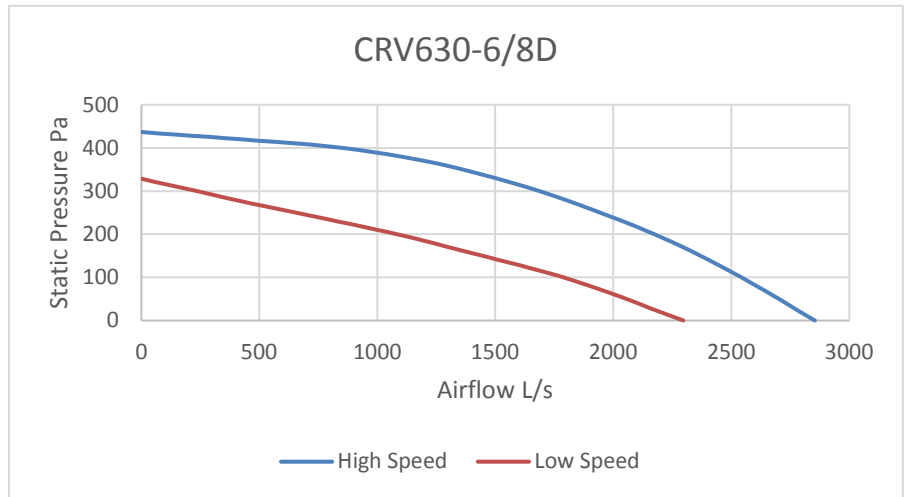
FAN FEATURES

- ROOF MOUNTED VERTICAL DISCHARGE FAN. CAPABLE OF HANDLING UP TO 2800 L/s.
- USED FOR COMMERCIAL KITCHEN APPLICATIONS AND GENERAL VENTILATION.
- WEATHER PROOF HOUSING.
- GALVANIZED STEEL CONSTRUCTION.
- SPEED CONTROLLABLE , VSD, STAR/DELTA SWITCH OR 5 STEP CONTROLLER
- SQUARE BASE CONNECTION
- DETACHABLE WINDBAND FOR EASY CLEANING.
- 3 PHASE MOTOR 2 SPEED STAR/DELTA
- FULL COMPLIANCE WITH AUSTRALIAN STANDARDS AIRFLOW TEST TO BS848 PART 1 & NOISE TEST TO BS848 PART 2

DIMENSIONS



PERFORMANCE



SOUND DATA

Model	Octave Band Frequency Lw db (A)								Lw dB (A)	SPL dB (A) @3m
	63	125	250	500	1K	2K	4K	8K		
CRV630-6D	52	60	68	68	66	68	73	74	78	57
CRV630-8D	44	52	60	60	58	60	65	66	70	49

TECHNICAL DATA

Fan Model	RPM	1 Phase KW	240V Amps	3 Phase KW	415V Amps	dba @3M
CRV630-6D	860			1.1	2.1	57
CRV630-8D	670			0.66	1.15	49



**ECO DYNAMIC
FANS PTY LTD**

www.ecodynamicfans.com.au

296 South Gippsland Hwy,
Dandenong South VIC 3175

P: 03 8578 5911

E: sales@ecodynamicfans.com.au

F: 03 8768 8529



CRV710-6/8D

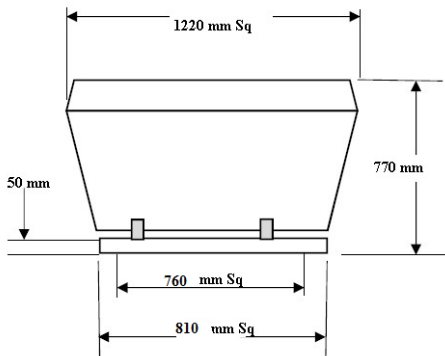
ROOF CENTRIFUGAL VERTICAL DISCHARGE FAN



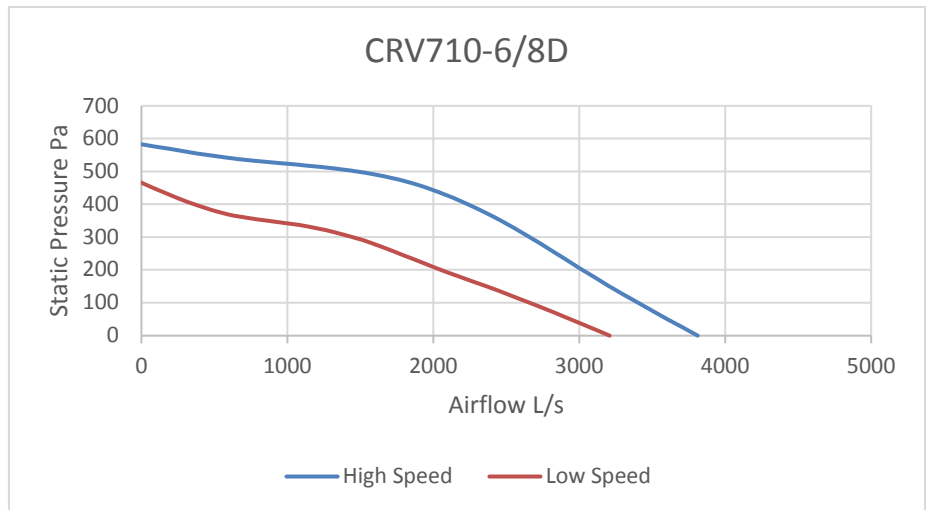
FAN FEATURES

- ROOF MOUNTED VERTICAL DISCHARGE FAN. CAPABLE OF HANDLING UP TO 3800 L/s.
- USED FOR COMMERCIAL KITCHEN APPLICATIONS AND GENERAL VENTILATION.
- WEATHER PROOF HOUSING.
- GALVANIZED STEEL CONSTRUCTION.
- SPEED CONTROLLABLE , VSD, STAR/DELTA SWITCH OR 5 STEP CONTROLLER
- SQUARE BASE CONNECTION
- DETACHABLE WINDBAND FOR EASY CLEANING.
- 3 PHASE MOTOR 2 SPEED STAR/DELTA
- FULL COMPLIANCE WITH AUSTRALIAN STANDARDS AIRFLOW TEST TO BS848 PART 1 & NOISE TEST TO BS848 PART 2

DIMENSIONS



PERFORMANCE



SOUND DATA

Model	Octave Band Frequency Lw db (A)								Lw dB (A)	SPL dB (A) @3m
	63	125	250	500	1K	2K	4K	8K		
CRV710-6D	59	71	79	72	73	71	62	81	84	63
CRV710-8D	61	63	66	68	66	62	71	64	76	55

TECHNICAL DATA

Fan Model	RPM	1 Phase KW	240V Amps	3 Phase KW	415V Amps	dba @3M
CRV710-6D	910			2.1	4.1	63
CRV710-8D	715			1.4	2.6	55



**ECO DYNAMIC
FANS PTY LTD**

296 South Gippsland Hwy,
Dandenong South VIC 3175

P: 03 8578 5911

E: sales@ecodynamicfans.com.au

F: 03 8768 8529

w w w . e c o d y n a m i c f a n s . c o m . a u