

## Catalog

CRD150-2E.pdf .....	1
CRD150-4E.pdf .....	2
CRD200-2E.pdf .....	3
CRD200-4E.pdf .....	4
CRD250-2E.pdf .....	5
CRD250-4E.pdf .....	6
CRD310-4E.pdf .....	7
CRD355-4E.pdf .....	8



# CRD150-2E

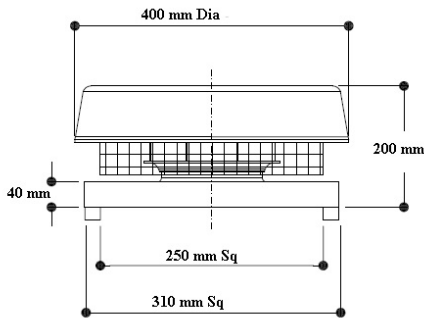
## ROOF CENTRIFUGAL DOWNFLOW DISCHARGE FAN



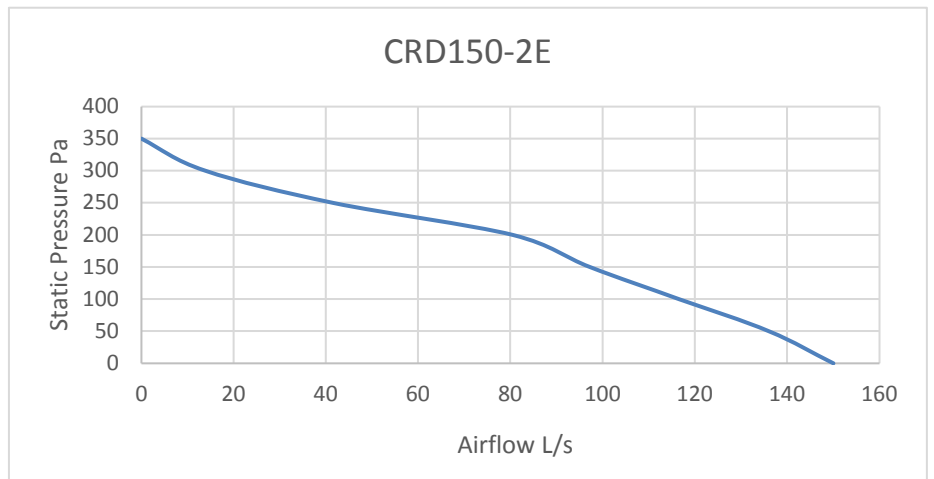
### FAN FEATURES

- ROOF MOUNTED DOWNFLOW DISCHARGE FAN.
- CAPABLE OF HANDLING UP TO 150 L/s.
- USED FOR FOOD VANS APPLICATIONS AND GENERAL VENTILATION.
- ALL METAL CONSTRUCTION.
- WEATHER PROOF DESIGN.
- SPEED CONTROLLABLE.
- EASY TO MAINTAIN
- SQUARE BASE CONNECTION
- FULL COMPLIANCE WITH AUSTRALIAN STANDARDS AIRFLOW TEST TO BS848 PART 1 & NOISE TEST TO BS848 PART 2

### DIMENSIONS



### PERFORMANCE



### SOUND DATA

Model	Octave Band Frequency Lw db (A)								Lw dB (A)	SPL dB (A) @3m
	63	125	250	500	1K	2K	4K	8K		
CRD150-2E	31	40	47	43	60	66	56	50	68	47

### TECHNICAL DATA

Fan Model	RPM	1 Phase KW	240V Amps	3 Phase KW	415V Amps	dba @3M
CRD150-2E	2630	0.08	0.35			47



**ECO DYNAMIC  
FANS PTY LTD**

www.ecodynamicfans.com.au

296 South Gippsland Hwy,  
Dandenong South VIC 3175

P: 03 8578 5911

E: sales@ecodynamicfans.com.au

F: 03 8768 8529



# CRD150-4E

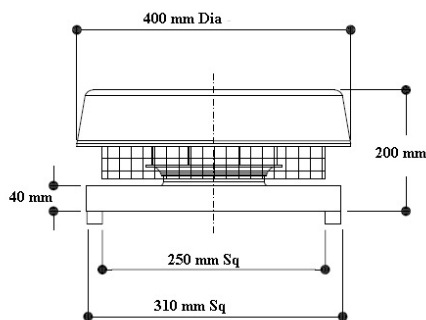
## ROOF CENTRIFUGAL DOWNFLOW DISCHARGE FAN



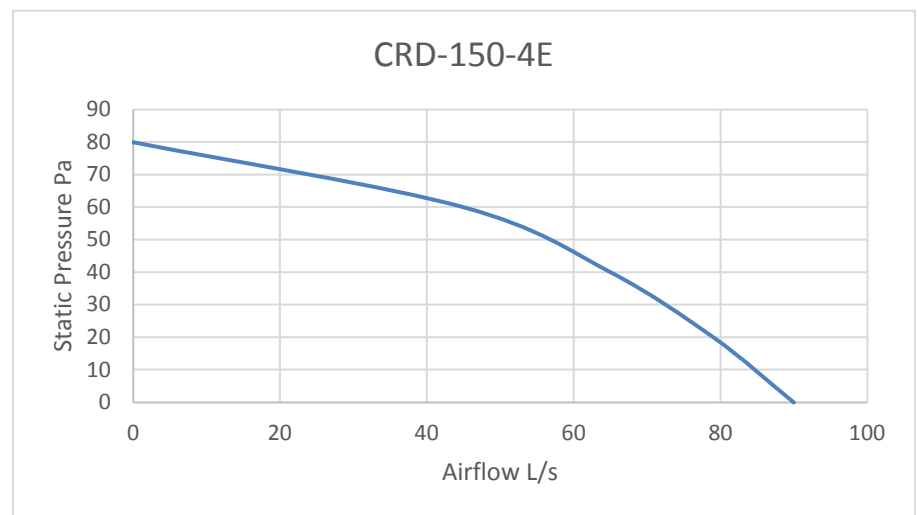
### FAN FEATURES

- ROOF MOUNTED DOWNFLOW DISCHARGE FAN.
- CAPABLE OF HANDLING UP TO 90L/s.
- USED FOR FOOD VANS APPLICATIONS AND GENERAL VENTILATION.
- ALL METAL CONSTRUCTION.
- WEATHER PROOF DESIGN.
- SPEED CONTROLLABLE.
- EASY TO MAINTAIN
- SQUARE BASE CONNECTION
- FULL COMPLIANCE WITH AUSTRALIAN STANDARDS AIRFLOW TEST TO BS848 PART 1 & NOISE TEST TO BS848 PART 2

### DIMENSIONS



### PERFORMANCE



### SOUND DATA

Model	Octave Band Frequency Lw db (A)								Lw dB (A)	SPL dB (A) @3m
	63	125	250	500	1K	2K	4K	8K		
CRD150-4E	21	30	37	43	50	56	46	40	57	36

### TECHNICAL DATA

Fan Model	RPM	1 Phase KW	240V Amps	3 Phase KW	415V Amps	dba @3M
CRD150-4E	1400	0.08	0.35			36



**ECO DYNAMIC  
FANS PTY LTD**

www.ecodynamicfans.com.au

296 South Gippsland Hwy,  
Dandenong South VIC 3175

P: 03 8578 5911

E: sales@ecodynamicfans.com.au

F: 03 8768 8529



# CRD200-2E

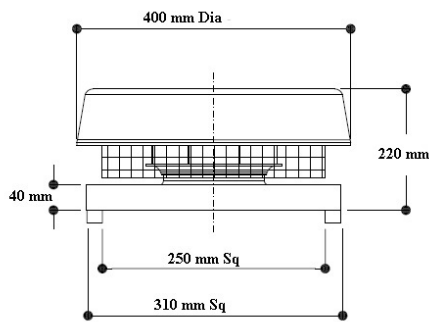
## ROOF CENTRIFUGAL DOWNFLOW DISCHARGE FAN



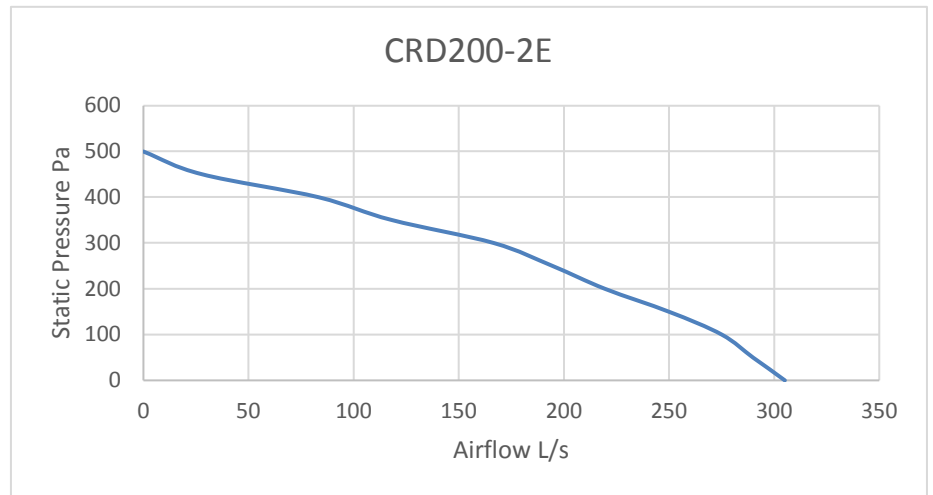
### FAN FEATURES

- ROOF MOUNTED DOWNFLOW DISCHARGE FAN.
- CAPABLE OF HANDLING UP TO 300 L/s.
- USED FOR FOOD VANS APPLICATIONS AND GENERAL VENTILATION.
- ALL METAL CONSTRUCTION.
- WEATHER PROOF DESIGN.
- SPEED CONTROLLABLE.
- EASY TO MAINTAIN
- SQUARE BASE CONNECTION
- FULL COMPLIANCE WITH AUSTRALIAN STANDARDS AIRFLOW TEST TO BS848 PART 1 & NOISE TEST TO BS848 PART 2

### DIMENSIONS



### PERFORMANCE



### SOUND DATA

Model	Octave Band Frequency Lw db (A)								Lw dB (A)	SPL dB (A) @3m
	63	125	250	500	1K	2K	4K	8K		
CRD200-2E	18	39	54	65	71	71	67	60	75	54

### TECHNICAL DATA

Fan Model	RPM	1 Phase KW	240V Amps	3 Phase KW	415V Amps	dba @3M
CRD200-2E	2680	0.15	0.8			54



**ECO DYNAMIC  
FANS PTY LTD**

www.ecodynamicfans.com.au

296 South Gippsland Hwy,  
Dandenong South VIC 3175

P: 03 8578 5911

E: sales@ecodynamicfans.com.au

F: 03 8768 8529



# CRD200-4E

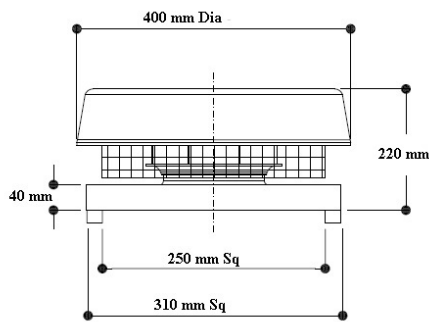
## ROOF CENTRIFUGAL DOWNFLOW DISCHARGE FAN



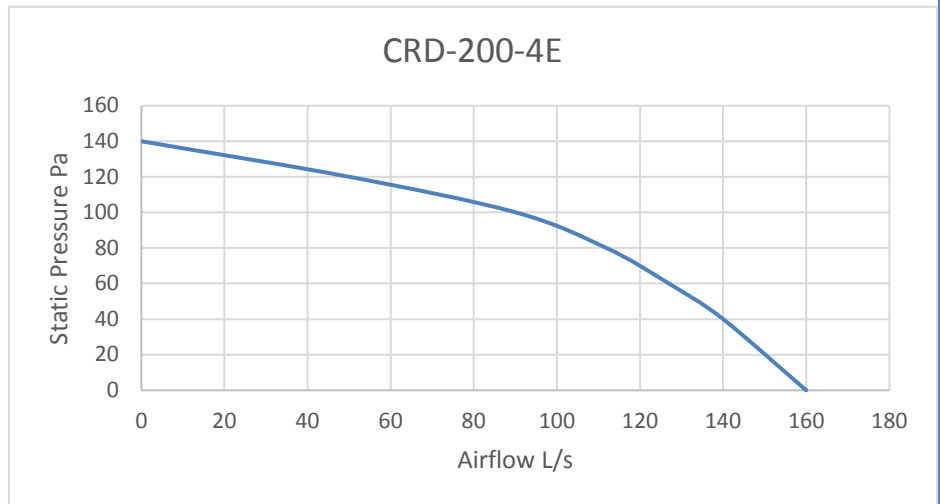
### FAN FEATURES

- ROOF MOUNTED DOWNFLOW DISCHARGE FAN.
- CAPABLE OF HANDLING UP TO 160 L/s.
- USED FOR FOOD VANS APPLICATIONS AND GENERAL VENTILATION.
- ALL METAL CONSTRUCTION.
- WEATHER PROOF DESIGN.
- SPEED CONTROLLABLE.
- EASY TO MAINTAIN
- SQUARE BASE CONNECTION
- FULL COMPLIANCE WITH AUSTRALIAN STANDARDS AIRFLOW TEST TO BS848 PART 1 & NOISE TEST TO BS848 PART 2

### DIMENSIONS



### PERFORMANCE



### SOUND DATA

Model	Octave Band Frequency Lw db (A)								Lw dB (A)	SPL dB (A) @3m
	63	125	250	500	1K	2K	4K	8K		
CRD200-4E	21	38	48	54	51	46	46	56	59	38

### TECHNICAL DATA

Fan Model	RPM	1 Phase KW	240V Amps	3 Phase KW	415V Amps	dba @3M
CRD200-4E	1400	0.15	0.8			38



**ECO DYNAMIC  
FANS PTY LTD**

www.ecodynamicfans.com.au

296 South Gippsland Hwy,  
Dandenong South VIC 3175

P: 03 8578 5911

E: sales@ecodynamicfans.com.au

F: 03 8768 8529



# CRD250-2E

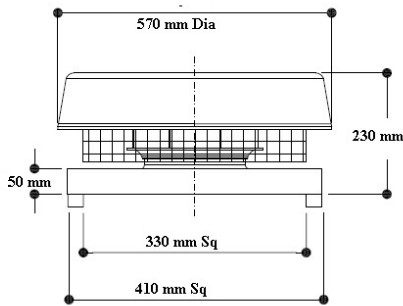
## ROOF CENTRIFUGAL DOWNFLOW DISCHARGE FAN



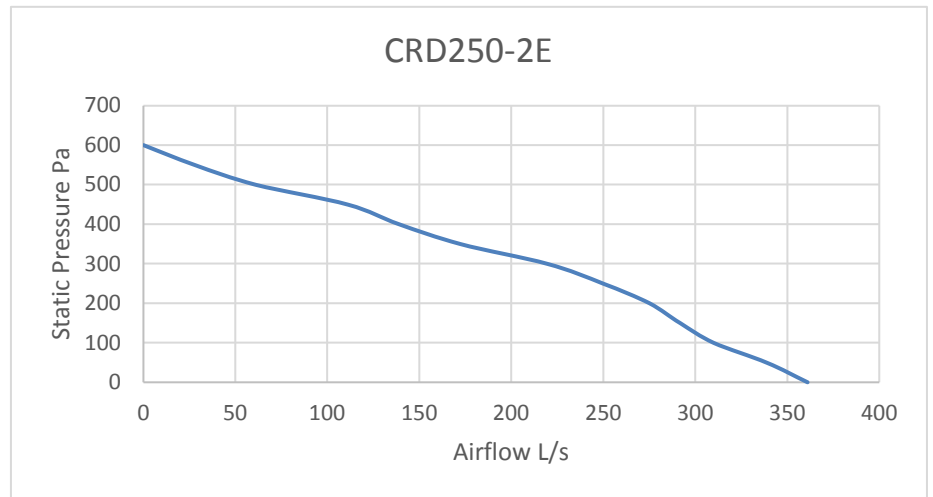
### FAN FEATURES

- ROOF MOUNTED DOWNFLOW DISCHARGE FAN.
- CAPABLE OF HANDLING UP TO 350 L/s.
- USED FOR FOOD VANS APPLICATIONS AND GENERAL VENTILATION.
- ALL METAL CONSTRUCTION.
- WEATHER PROOF DESIGN.
- SPEED CONTROLLABLE.
- EASY TO MAINTAIN
- SQUARE BASE CONNECTION
- FULL COMPLIANCE WITH AUSTRALIAN STANDARDS AIRFLOW TEST TO BS848 PART 1 & NOISE TEST TO BS848 PART 2

### DIMENSIONS



### PERFORMANCE



### SOUND DATA

Model	Octave Band Frequency Lw db (A)								Lw dB (A)	SPL dB (A) @3m
	63	125	250	500	1K	2K	4K	8K		
CRD250-2E	23	38	51	67	73	75	69	59	78	57

### TECHNICAL DATA

Fan Model	RPM	1 Phase KW	240V Amps	3 Phase KW	415V Amps	dba @3M
CRD250-2E	2550	0.17	0.8			57



**ECO DYNAMIC  
FANS PTY LTD**

www.ecodynamicfans.com.au

296 South Gippsland Hwy,  
Dandenong South VIC 3175

P: 03 8578 5911

E: sales@ecodynamicfans.com.au

F: 03 8768 8529



# CRD250-4E

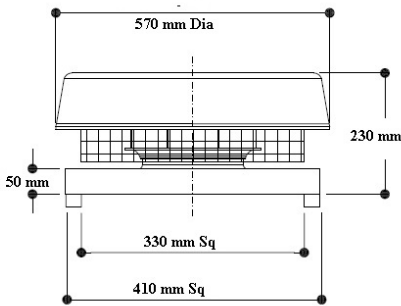
## ROOF CENTRIFUGAL DOWNFLOW DISCHARGE FAN



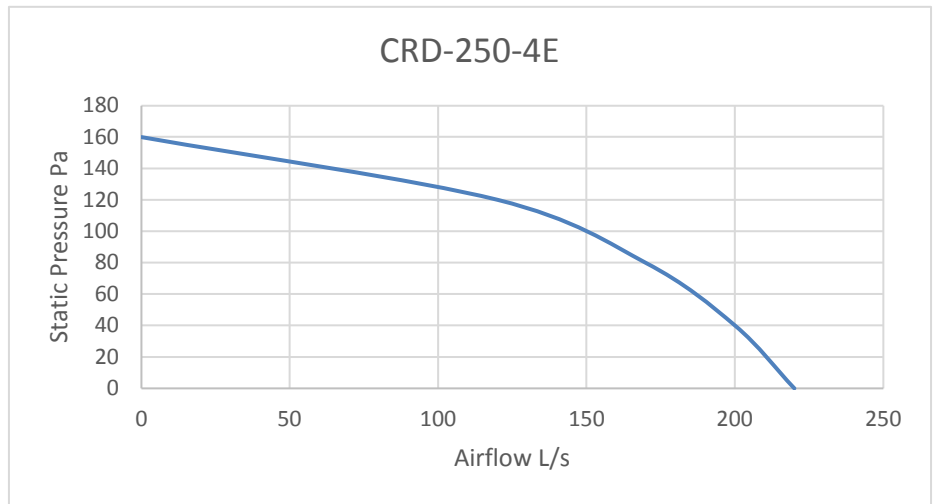
### FAN FEATURES

- ROOF MOUNTED DOWNFLOW DISCHARGE FAN.
- CAPABLE OF HANDLING UP TO 220 L/s.
- USED FOR FOOD VANS APPLICATIONS AND GENERAL VENTILATION.
- ALL METAL CONSTRUCTION.
- WEATHER PROOF DESIGN.
- SPEED CONTROLLABLE.
- EASY TO MAINTAIN
- SQUARE BASE CONNECTION & Available in ROUND BASE
- FULL COMPLIANCE WITH AUSTRALIAN STANDARDS AIRFLOW TEST TO BS848 PART 1 & NOISE TEST TO BS848 PART 2

### DIMENSIONS



### PERFORMANCE



### SOUND DATA

Model	Octave Band Frequency Lw db (A)								Lw dB (A)	SPL dB (A) @3m
	63	125	250	500	1K	2K	4K	8K		
CRD250-4E	24	36	38	55	53	49	49	56	61	40

### TECHNICAL DATA

Fan Model	RPM	1 Phase KW	240V Amps	3 Phase KW	415V Amps	dba @3M
CRD250-4E	1440	0.17	0.8			40



**ECO DYNAMIC  
FANS PTY LTD**

www.ecodynamicfans.com.au

296 South Gippsland Hwy,  
Dandenong South VIC 3175

P: 03 8578 5911

E: sales@ecodynamicfans.com.au

F: 03 8768 8529



# CRD310-4E

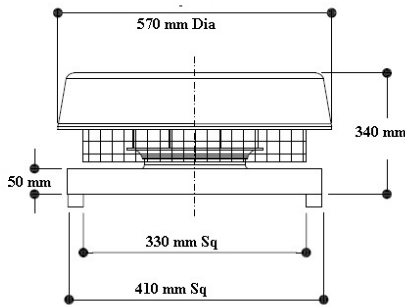
## ROOF CENTRIFUGAL DOWNFLOW DISCHARGE FAN



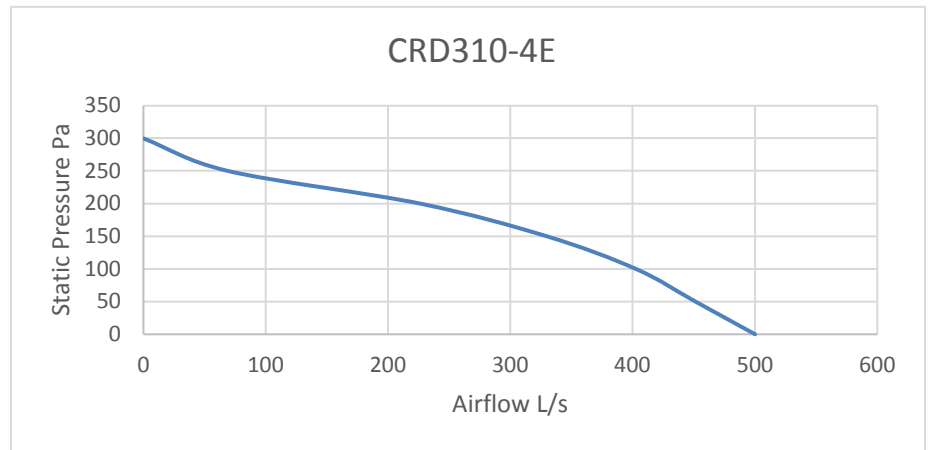
### FAN FEATURES

- ROOF MOUNTED DOWNFLOW DISCHARGE FAN.
- CAPABLE OF HANDLING UP TO 500 L/s.
- USED FOR FOOD VANS APPLICATIONS AND GENERAL VENTILATION.
- ALL METAL CONSTRUCTION.
- WEATHER PROOF DESIGN.
- SPEED CONTROLLABLE.
- EASY TO MAINTAIN
- SQUARE BASE CONNECTION
- FULL COMPLIANCE WITH AUSTRALIAN STANDARDS AIRFLOW TEST TO BS848 PART 1 & NOISE TEST TO BS848 PART 2

### DIMENSIONS



### PERFORMANCE



### SOUND DATA

Model	Octave Band Frequency Lw db (A)								Lw dB (A)	SPL dB (A) @3m
	63	125	250	500	1K	2K	4K	8K		
CRD310-4E	27	51	55	65	67	54	58	51	69	48

### TECHNICAL DATA

Fan Model	RPM	1 Phase KW	240V Amps	3 Phase KW	415V Amps	dba @3M
CRD310-4E	1390	0.12	0.55			48



**ECO DYNAMIC  
FANS PTY LTD**

296 South Gippsland Hwy,  
Dandenong South VIC 3175

P: 03 8578 5911

E: sales@ecodynamicfans.com.au

F: 03 8768 8529

www.ecodynamicfans.com.au





# CRD355-4E

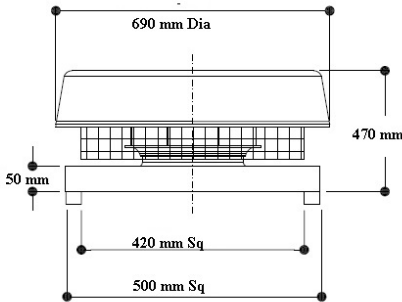
## ROOF CENTRIFUGAL VERTICAL DISCHARGE FAN



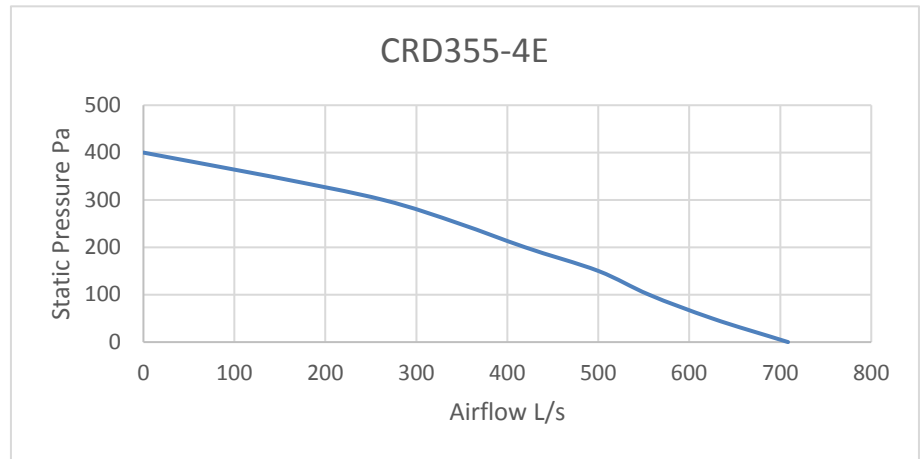
### FAN FEATURES

- ROOF MOUNTED DOWNFLOW DISCHARGE FAN.
- CAPABLE OF HANDLING UP TO 700 L/s.
- USED FOR FOOD VANS , COMMERCIAL KITCHEN APPLICATIONS AND GENERAL VENTILATION.
- EASY TO MAINTAIN
- GALVANIZED STEEL CONSTRUCTION.
- SPEED CONTROLLABLE.
- SQUARE BASE CONNECTION
- FULL COMPLIANCE WITH AUSTRALIAN STANDARDS AIRFLOW TEST TO BS848 PART 1 & NOISE TEST TO BS848 PART 2

### DIMENSIONS



### PERFORMANCE



### SOUND DATA

Model	Octave Band Frequency Lw db (A)								Lw dB (A)	SPL dB (A) @3m
	63	125	250	500	1K	2K	4K	8K		
CRD355-4E	24	48	53	67	69	67	63	49	73	52

### TECHNICAL DATA

Fan Model	RPM	1 Phase KW	240V Amps	3 Phase KW	415V Amps	dba @3M
CRD355-4E	1400	0.2	1.0			52



**ECO DYNAMIC FANS PTY LTD**

296 South Gippsland Hwy,  
Dandenong South VIC 3175

P: 03 8578 5911

E: sales@ecodynamicfans.com.au

F: 03 8768 8529

www.ecodynamicfans.com.au