

Catalog

CRDR150-2E.pdf	1
CRDR150-4E.pdf	2
CRDR200-2E.pdf	3
CRDR200-4E.pdf	4
CRDR250-2E.pdf	5
CRDR250-4E.pdf	6



CRDR150-2E

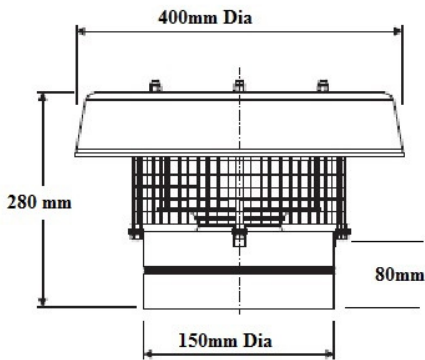
ROOF CENTRIFUGAL DOWNFLOW DISCHARGE FAN



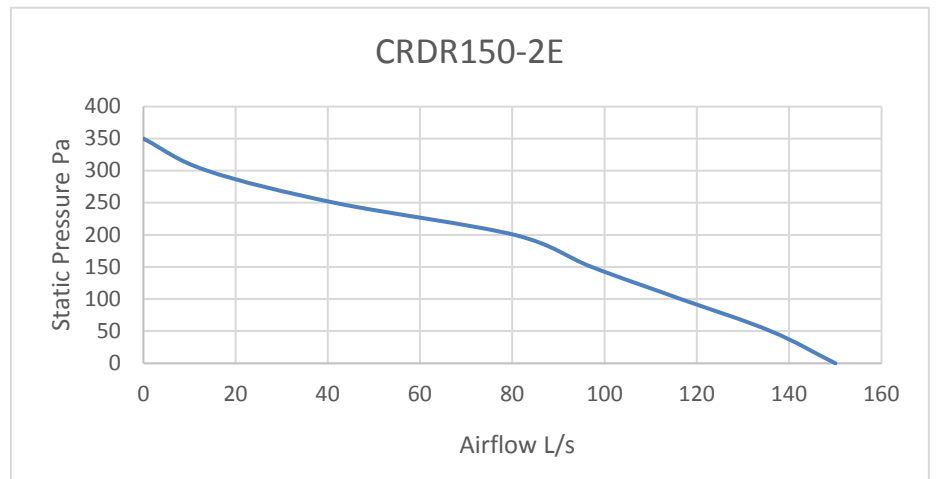
FAN FEATURES

- ROOF MOUNTED DOWNFLOW DISCHARGE FAN.
- CAPABLE OF HANDLING UP TO 150 L/s.
- USED FOR FOOD VANS APPLICATIONS AND GENERAL VENTILATION.
- ALL METAL CONSTRUCTION.
- WEATHER PROOF DESIGN.
- SPEED CONTROLLABLE.
- EASY TO MAINTAIN
- ROUND BASE CONNECTION
- FULL COMPLIANCE WITH AUSTRALIAN STANDARDS AIRFLOW TEST TO BS848 PART 1 & NOISE TEST TO BS848 PART 2

DIMENSIONS



PERFORMANCE



SOUND DATA

Model	Octave Band Frequency Lw db (A)								Lw dB (A)	SPL dB (A) @3m
	63	125	250	500	1K	2K	4K	8K		
CRDR150-2E	16	33	47	57	64	70	60	54	71	50

TECHNICAL DATA

Fan Model	RPM	1 Phase KW	240V Amps	3 Phase KW	415V Amps	dba @3M
CRDR150-2E	3150	0.6	0.5			50



**ECO DYNAMIC
FANS PTY LTD**

www.ecodynamicfans.com.au

296 South Gippsland Hwy,
Dandenong South VIC 3175

P: 03 8578 5911

E: sales@ecodynamicfans.com.au

F: 03 8768 8529



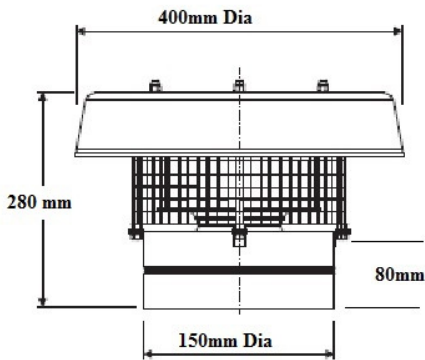
CRDR150-4E

ROOF CENTRIFUGAL DOWNFLOW DISCHARGE FAN

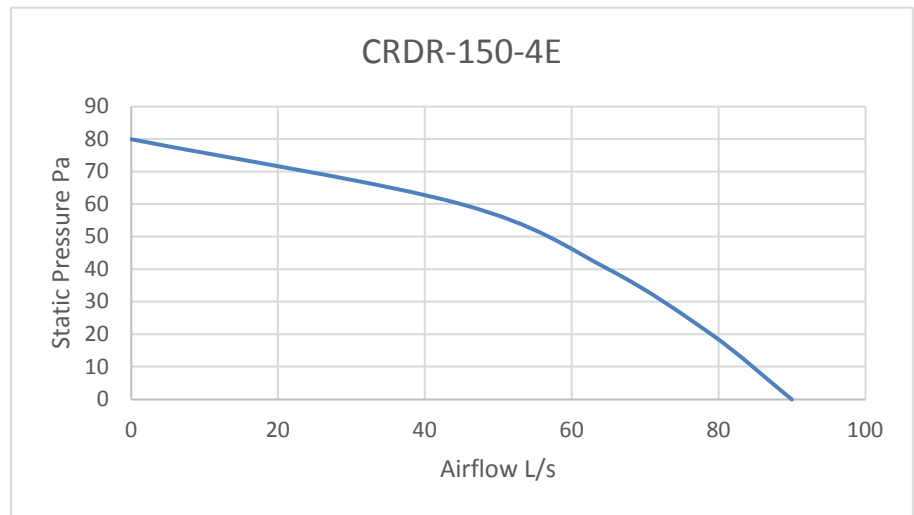
FAN FEATURES

- ROOF MOUNTED DOWNFLOW DISCHARGE FAN.
- CAPABLE OF HANDLING UP TO 90L/s.
- USED FOR FOOD VANS APPLICATIONS AND GENERAL VENTILATION.
- ALL METAL CONSTRUCTION.
- WEATHER PROOF DESIGN.
- SPEED CONTROLLABLE.
- EASY TO MAINTAIN
- ROUND BASE CONNECTION
- FULL COMPLIANCE WITH AUSTRALIAN STANDARDS AIRFLOW TEST TO BS848 PART 1 & NOISE TEST TO BS848 PART 2

DIMENSIONS



PERFORMANCE



SOUND DATA

Model	Octave Band Frequency Lw db (A)								Lw dB (A)	SPL dB (A) @3m
	63	125	250	500	1K	2K	4K	8K		
CRDR150-4E	21	30	37	43	50	56	46	40	57	36

TECHNICAL DATA

Fan Model	RPM	1 Phase KW	240V Amps	3 Phase KW	415V Amps	dba @3M
CRDR150-4E	1400	0.05	0.24			36



**ECO DYNAMIC
FANS PTY LTD**

www.ecodynamicfans.com.au

296 South Gippsland Hwy,
Dandenong South VIC 3175

P: 03 8578 5911

E: sales@ecodynamicfans.com.au

F: 03 8768 8529



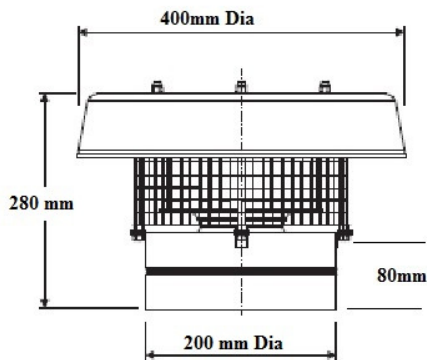
CRDR200-2E

ROOF CENTRIFUGAL DOWNFLOW DISCHARGE FAN

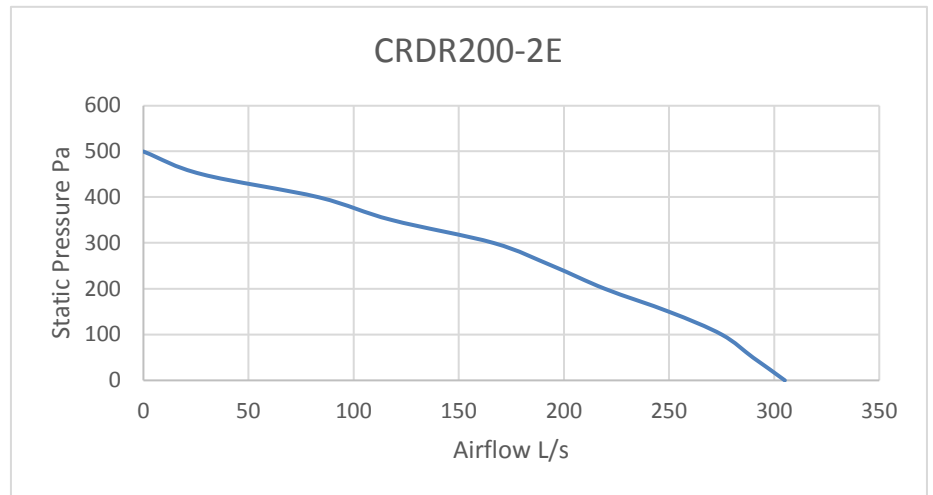
FAN FEATURES

- ROOF MOUNTED DOWNFLOW DISCHARGE FAN.
- CAPABLE OF HANDLING UP TO 300 L/s.
- USED FOR FOOD VANS APPLICATIONS AND GENERAL VENTILATION.
- ALL METAL CONSTRUCTION.
- WEATHER PROOF DESIGN.
- SPEED CONTROLLABLE.
- EASY TO MAINTAIN
- ROUND BASE CONNECTION
- FULL COMPLIANCE WITH AUSTRALIAN STANDARDS AIRFLOW TEST TO BS848 PART 1 & NOISE TEST TO BS848 PART 2

DIMENSIONS



PERFORMANCE



SOUND DATA

Model	Octave Band Frequency Lw db (A)								Lw dB (A)	SPL dB (A) @3m
	63	125	250	500	1K	2K	4K	8K		
CRDR200-2E	18	39	54	65	71	71	67	60	75	54

TECHNICAL DATA

Fan Model	RPM	1 Phase KW	240V Amps	3 Phase KW	415V Amps	dba @3M
CRDR200-2E	3140	0.15	1			54



**ECO DYNAMIC
FANS PTY LTD**

www.ecodynamicfans.com.au

296 South Gippsland Hwy,
Dandenong South VIC 3175

P: 03 8578 5911

E: sales@ecodynamicfans.com.au

F: 03 8768 8529



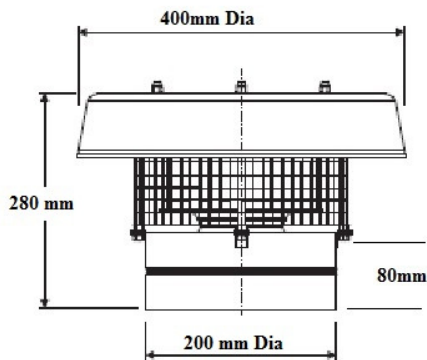
CRDR200-4E

ROOF CENTRIFUGAL DOWNFLOW DISCHARGE FAN

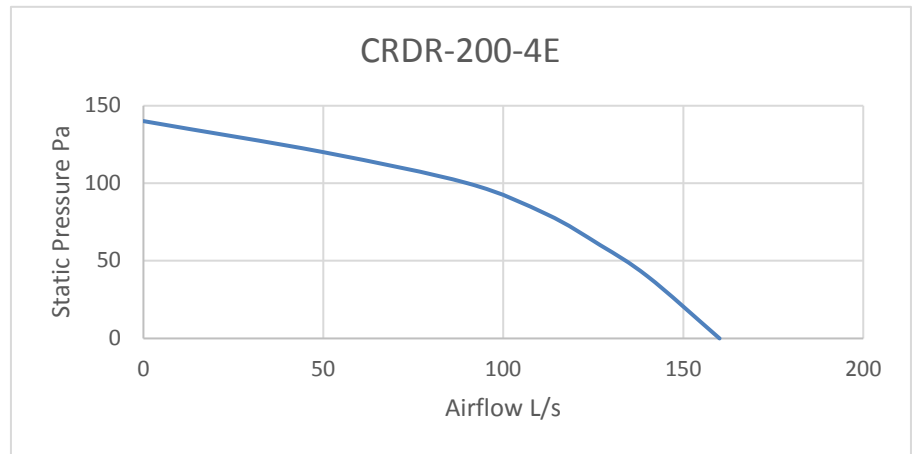
FAN FEATURES

- ROOF MOUNTED DOWNFLOW DISCHARGE FAN.
- CAPABLE OF HANDLING UP TO 160 L/s.
- USED FOR FOOD VANS APPLICATIONS AND GENERAL VENTILATION.
- ALL METAL CONSTRUCTION.
- WEATHER PROOF DESIGN.
- SPEED CONTROLLABLE.
- EASY TO MAINTAIN
- ROUND BASE CONNECTION
- FULL COMPLIANCE WITH AUSTRALIAN STANDARDS AIRFLOW TEST TO BS848 PART 1 & NOISE TEST TO BS848 PART 2

DIMENSIONS



PERFORMANCE



SOUND DATA

Model	Octave Band Frequency Lw db (A)								Lw dB (A)	SPL dB (A) @3m
	63	125	250	500	1K	2K	4K	8K		
CRDR200-4E	22	41	50	56	53	48	48	56	61	40

TECHNICAL DATA

Fan Model	RPM	1 Phase KW	240V Amps	3 Phase KW	415V Amps	dba @3M
CRDR200-4E	1020	0.15	1			40



**ECO DYNAMIC
FANS PTY LTD**

www.ecodynamicfans.com.au

296 South Gippsland Hwy,
Dandenong South VIC 3175

P: 03 8578 5911

E: sales@ecodynamicfans.com.au

F: 03 8768 8529



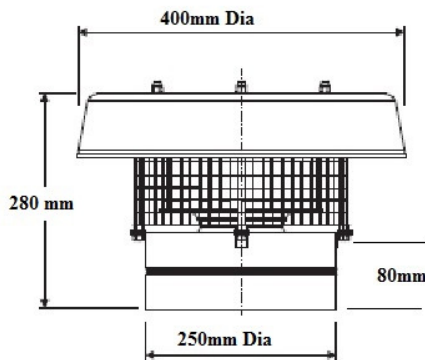
CRDR250-2E

ROOF CENTRIFUGAL DOWNFLOW DISCHARGE FAN

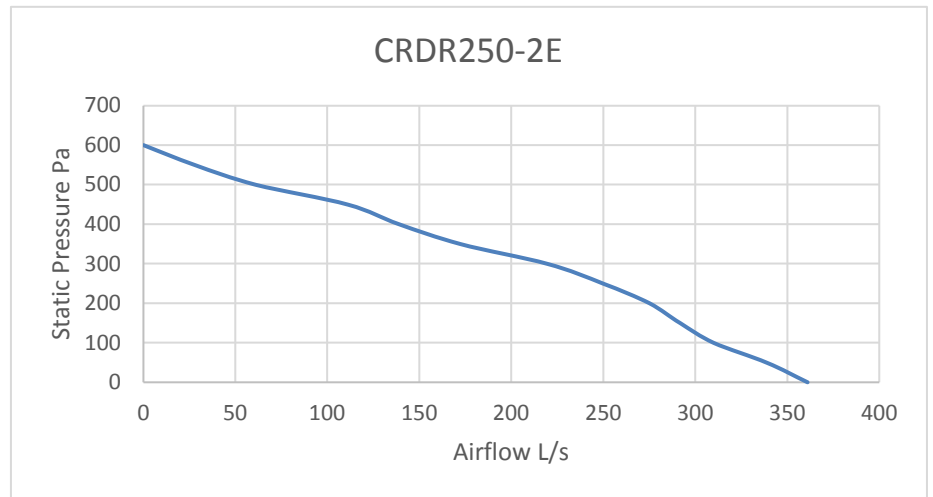
FAN FEATURES

- ROOF MOUNTED DOWNFLOW DISCHARGE FAN.
- CAPABLE OF HANDLING UP TO 350 L/s.
- USED FOR FOOD VANS APPLICATIONS AND GENERAL VENTILATION.
- ALL METAL CONSTRUCTION.
- WEATHER PROOF DESIGN.
- SPEED CONTROLLABLE.
- EASY TO MAINTAIN
- ROUND BASE CONNECTION
- FULL COMPLIANCE WITH AUSTRALIAN STANDARDS AIRFLOW TEST TO BS848 PART 1 & NOISE TEST TO BS848 PART 2

DIMENSIONS



PERFORMANCE



SOUND DATA

Model	Octave Band Frequency Lw db (A)								Lw dB (A)	SPL dB (A) @3m
	63	125	250	500	1K	2K	4K	8K		
CRDR250-2E	23	38	51	67	73	75	69	59	78	57

TECHNICAL DATA

Fan Model	RPM	1 Phase KW	240V Amps	3 Phase KW	415V Amps	dba @3M
CRDR250-2E	2900	0.19	1.35			57



**ECO DYNAMIC
FANS PTY LTD**

www.ecodynamicfans.com.au

296 South Gippsland Hwy,
Dandenong South VIC 3175

P: 03 8578 5911

E: sales@ecodynamicfans.com.au

F: 03 8768 8529



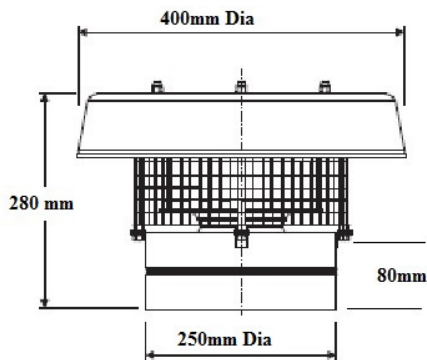
CRDR250-4E

ROOF CENTRIFUGAL DOWNFLOW DISCHARGE FAN

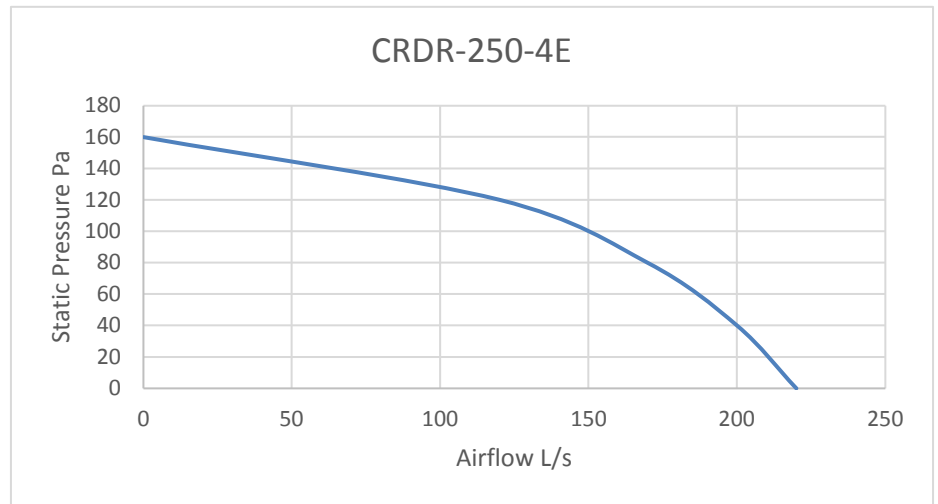
FAN FEATURES

- ROOF MOUNTED DOWNFLOW DISCHARGE FAN.
- CAPABLE OF HANDLING UP TO 220 L/s.
- USED FOR FOOD VANS APPLICATIONS AND GENERAL VENTILATION.
- ALL METAL CONSTRUCTION.
- WEATHER PROOF DESIGN.
- SPEED CONTROLLABLE.
- EASY TO MAINTAIN
- ROUND BASE CONNECTION
- FULL COMPLIANCE WITH AUSTRALIAN STANDARDS AIRFLOW TEST TO BS848 PART 1 & NOISE TEST TO BS848 PART 2

DIMENSIONS



PERFORMANCE



SOUND DATA

Model	Octave Band Frequency Lw db (A)								Lw dB (A)	SPL dB (A) @3m
	63	125	250	500	1K	2K	4K	8K		
CRDR250-4E	24	36	38	55	53	49	49	56	61	40

TECHNICAL DATA

Fan Model	RPM	1 Phase KW	240V Amps	3 Phase KW	415V Amps	dba @3M
CRDR250-4E	1440	0.19	1.35			40



**ECO DYNAMIC
FANS PTY LTD**

www.ecodynamicfans.com.au

296 South Gippsland Hwy,
Dandenong South VIC 3175

P: 03 8578 5911

E: sales@ecodynamicfans.com.au

F: 03 8768 8529