

## Catalog

IAR38.pdf .....	1
IAR45.pdf .....	2



# IAR38-4E/D

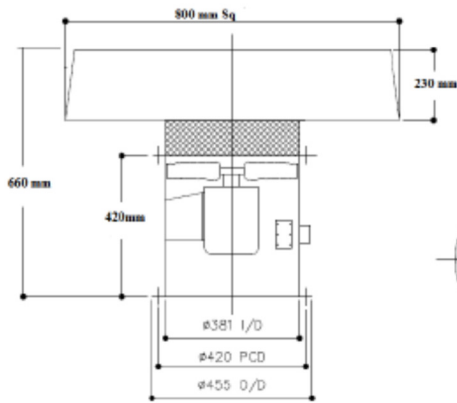
## ROOF AXIAL FAN



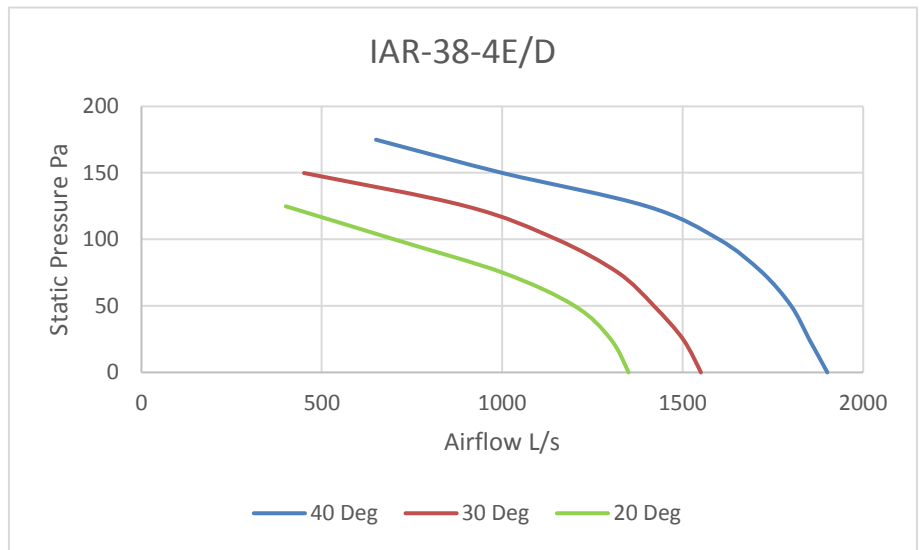
### FAN FEATURES

- 381mm ROOF AXIAL FAN SUPPLY OR EXHAUST.
- CAPABLE OF HANDLING 800L/S TO 1800L/S.
- USED FOR COMMERCIAL KITCHEN APPLICATIONS AND GENERAL VENTILATION.
- GALVANIZED STEEL CONSTRUCTION.
- SPEED CONTROLLABLE OPTIONS AVAILABLE.
- CIRCULAR CONNECTION COMPLETE WITH MATCHING FLANGE.
- ADJUSTABLE PITCH IMPELLER.
- FULL COMPLIANCE WITH AUSTRALIAN STANDARDS AIRFLOW TEST TO BS848 PART 1 & NOISE TEST TO BS848 PART 2

### DIMENSIONS



### PERFORMANCE



### SOUND DATA

Model	Octave Band Frequency Lw db (A)								Lw dB (A)	SPL dB (A) @3m
	63	125	250	500	1K	2K	4K	8K		
IAR38	44	53	69	68	69	67	64	59	75	54

### TECHNICAL DATA

Fan Model	RPM	1 Phase KW	240V Amps	3 Phase KW	415V Amps	dba @3M
IAR38-4E	1410	0.37	2.3			54
IAR38-4E Var		0.37	2.3			54
IAR38-4D	1400			0.37	1.1	54



**ECO DYNAMIC  
FANS PTY LTD**

296 South Gippsland Hwy,  
Dandenong South VIC 3175  
P: 03 8578 5911

E: [sales@ecodynamicfans.com.au](mailto:sales@ecodynamicfans.com.au)

F: 03 8768 8529

www.ecodynamicfans.com.au



# IAR45-4E/D

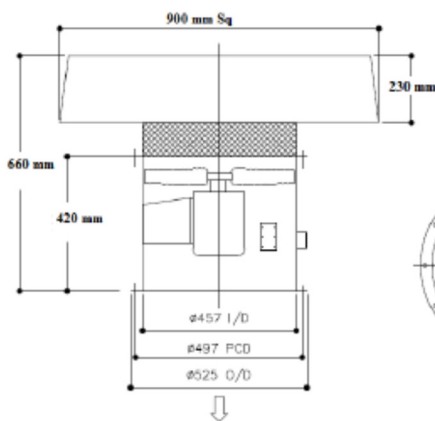
## ROOF AXIAL FAN



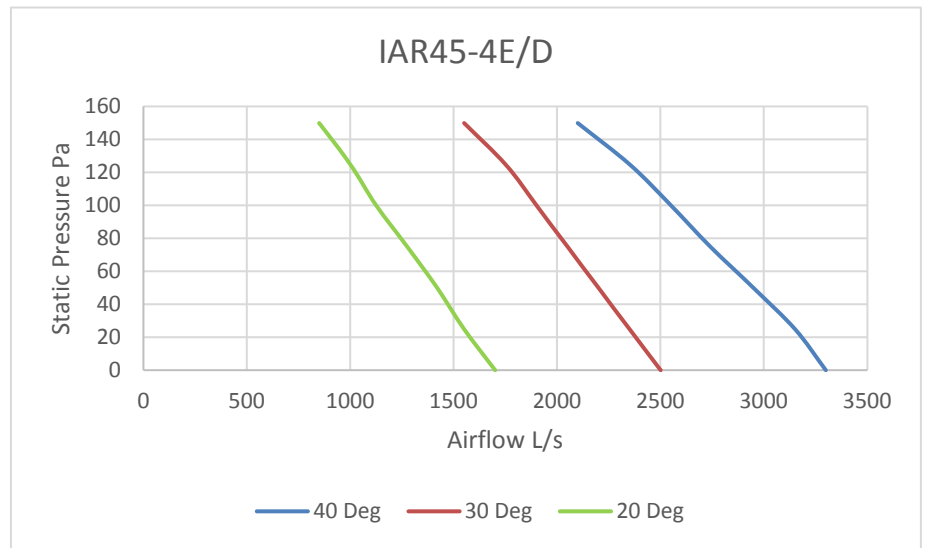
### FAN FEATURES

- 457mm Roof AXIAL FAN SUPPLY OR EXHAUST.
- CAPABLE OF HANDLING UP TO 3000L/S.
- USED FOR COMMERCIAL KITCHEN APPLICATIONS AND GENERAL VENTILATION.
- GALVANIZED STEEL CONSTRUCTION.
- SPEED CONTROLLABLE OPTIONS AVAILABLE.
- CIRCULAR CONNECTION COMPLETE WITH MATCHING FLANGE.
- ADJUSTABLE PITCH IMPELLER.
- FULL COMPLIANCE WITH AUSTRALIAN STANDARDS AIRFLOW TEST TO BS848 PART 1 & NOISE TEST TO BS848 PART 2

### DIMENSIONS



### PERFORMANCE



### SOUND DATA

Model	Octave Band Frequency Lw db (A)								Lw dB (A)	SPL dB (A) @3m
	63	125	250	500	1K	2K	4K	8K		
IAR45	49	58	74	72	73	72	69	64	79	58

### TECHNICAL DATA

Fan Model	RPM	1 Phase KW	240V Amps	3 Phase KW	415V Amps	dba @3M
IAR45-4E	1420	0.75	4.7			58
IAR45-4E Var	1420	0.75	4.7			
IAR45-4D	1400			0.75	2.1	58



**ECO DYNAMIC  
FANS PTY LTD**

www.ecodynamicfans.com.au

296 South Gippsland Hwy,  
Dandenong South VIC 3175

P: 03 8578 5911

E: [sales@ecodynamicfans.com.au](mailto:sales@ecodynamicfans.com.au)

F: 03 8768 8529